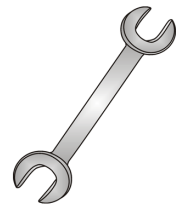




Tow-Trust Towbars

Important: Please read General Notes overleaf before fitting

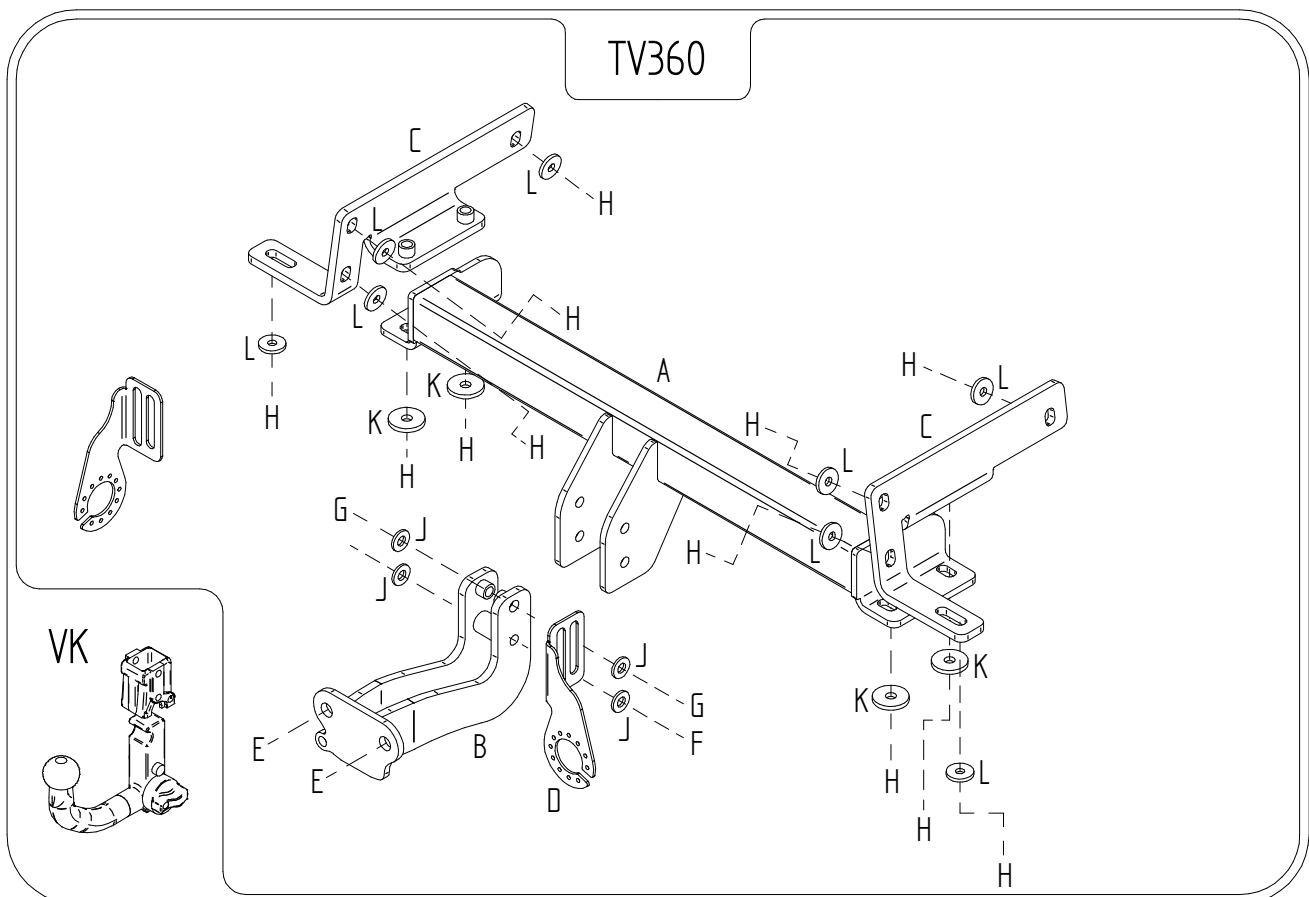


Issue 6

TV360 VAUXHALL ANTARA 2007>

Item	Qty	Description	Item	Qty	Description
A	1	Crossmember	E	2	M16 x 50 Bolts, Nuts & S/P Washers
B	1	Extension Bar	F	1	M12 x 110 Bolt & Nyloc Nut
C	2	Handed Side Arms	G	2	M12 x 40 Bolts & S/P Washers
D	1	Socket Plate (TV360-5)	H	12	M12 x 40 Bolts & S/P Washers
			J	4	12 x 25 Flat Washers
			K	4	12 x 40 Flat Washers
			L	8	12 x 30 Flat Washers

1. Remove the Towing eye from the left hand chassis member (This is not refitted with the Towbar assembly)
2. Locate all Towbar mounting points and clear off any mastic / under seal. (If necessary tap out to clean threads)
3. Using item H with item L loosely bolt items C to all mounting points on each correct chassis member.
4. Using item H with item K bolt item A to the underside of each side arm (items C).
5. Using item G with item J and item F with item J bolt item D and item B to item A.
6. Using item E bolt the ball bracket (not supplied in this kit) to item B.
7. Fully tighten all nuts and bolts ensuring Towbar is rigid and secure.



Note:

1. Recommended Torque Setting for M12 Grade 10.9 -139 Nm. (For other Torque Settings see notes overleaf.)
2. Nose load limits and vehicle manufacturer's trailer / caravan weight limits must be observed.