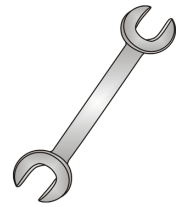




Tow-Trust Towbars

Important: Please read General Notes overleaf before fitting

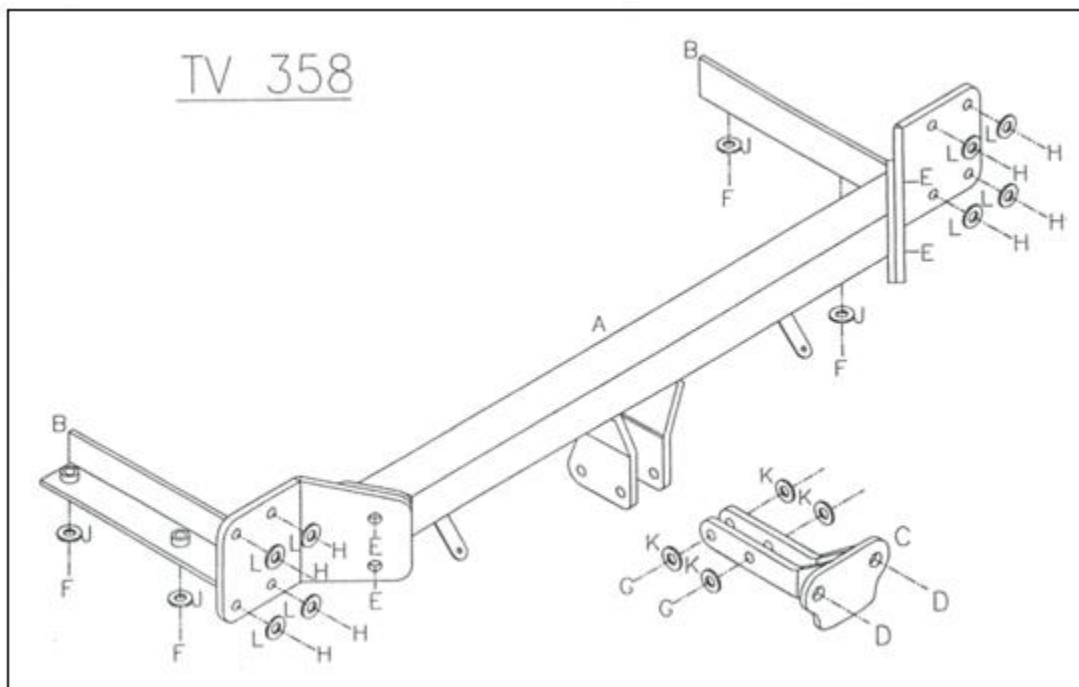


Issue 8

TV358 Vauxhall Astra Estate 2004 – 2010 Astra Van 2006 - 2012

Item	Qty	Description	Item	Qty	Description
A	1	Crossmember	D	2	M16 x 40 Bolts, Nuts & S/P Washers
B	2	Handed Side Arms	E	4	M12 x 35 Bolts, 2 Nuts & 4 S/P Washers
C	1	Extension Bar	F	4	M10 x 35 Bolts & S/P Washers
			G	2	M12 x 85 Grade 10.9 Bolts & Nyloc Nuts
			H	8	M8 Nuts & S/P Washers
			J	4	10 x 30 Flat Washers
			K	4	12 x 25 Flat Washers
			L	8	8 x 20 Flat Washers

1. Remove the rear bumper. One fixing at each tip, one fixing in each lower wheel arch, two fixings on the lower edge remove the light clusters to expose fixings underneath.
2. Remove the rear bumper beam. (This is not refitted with the Towbar.)
3. Locate Item **B** into the open ends of each chassis member and onto the existing studs on the rear panel. Using Item **H** with Item **L** loosely bolt Item **B** into place. Note
4. Using Item **F** with Item **J** and Item **M** on the right hand forward hole, loosely bolt Item **B** to the existing holes in the lower face of each chassis member.
5. Using Item **E** bolt Item **A** to Item **B**.
6. Fully tighten all nuts and bolts and ensure the Towbar is rigid and secure.
7. Refit rear bumper and light clusters. Note: Lower edge fixings are fixed to the Towbar using original push-in fixings
8. Using Item **G** with Item **K** bolt Item **C** to Item **A**.
9. Using Item **D** bolt the ball bracket and wiring plate (not supplied in this kit) to the mounting plate.



Note:

1. Recommended Torque Setting for M12 Grade 10.9 -139 Nm. (For other Torque Settings see notes overleaf.)
2. Nose load limits and vehicle manufacturers trailer / caravan weight limits must be observed.