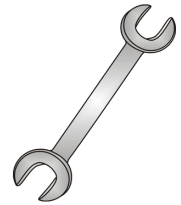




# Tow-Trust Towbars

Important: Please read General Notes overleaf before fitting

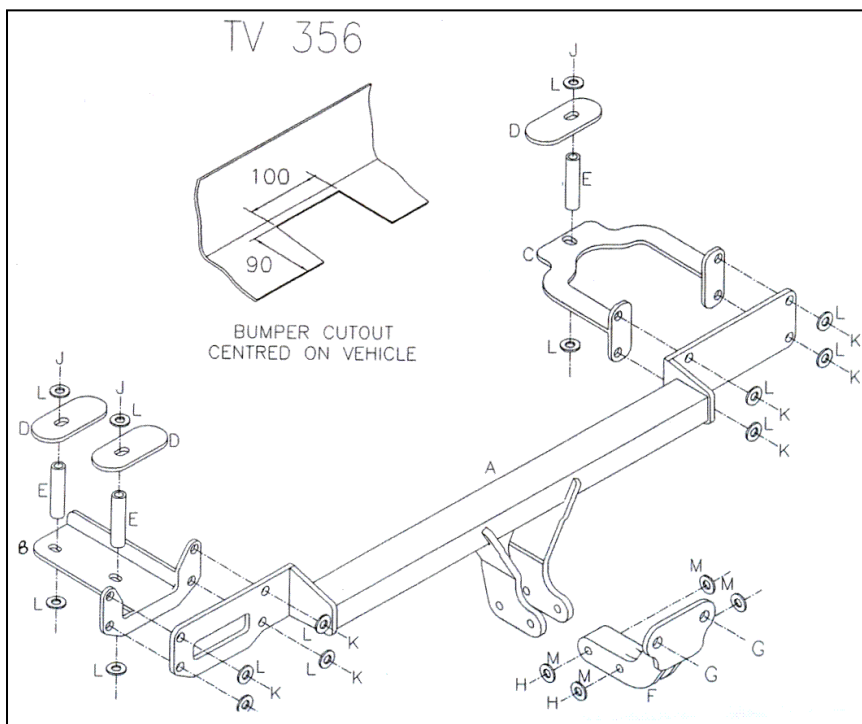


Issue 6

## TV356 Vauxhall Meriva 2003 - 2010

Item	Qty	Description	Item	Qty	Description
A	1	Crossmember	G	2	M16 x 40 Bolts, Nuts & S/P Washers
B	1	L/H Side Arm	H	2	M12 x 85 Grade 10.9 Bolts & Nyloc Nuts
C	1	R/H Side Arm	J	3	M10 x 120 Bolts, Nuts & S/P Washers
D	3	Clamp Plates	K	8	M10 x 35 Bolts, Nuts & S/P Washers
E	3	19 x 82 Spacer Bushes	L	22	10 x 25 Flat Washers
F	1	Extension Bar	M	4	12 x 25 Flat Washers

1. Remove rear bumper. Four fixings along bottom edge, four fixings along top edge, one fixing in each wheel arch.
2. Remove crash beam. This is not refitted with the tow bar.
3. Remove rearmost exhaust rubber.
4. Remove boot trim and loosen bottom of each side trims.
5. Locate the dimples above each chassis member (two on left side and one on right side). Open these out to 20mm.
6. Holes on back panel may need opening to 12mm.
7. Place Item E down into the chassis and using Item J, Item L and Item D inside the boot, loosely bolt Item B and Item C to the lower face of each chassis member. Note: Remove sound deadening material from boot floor so that Item D seat correctly.
8. Using Item K with Item L loosely bolt Item A to the rear panel and to Item B and Item C.
9. Fully tighten all nuts and bolts and ensure the towbar is rigid and secure.
10. Cut a section centrally from the lower edge of the bumper 100mm wide x 90mm deep. If required trim to suit.
11. Re-fit bumper and exhaust rubber.
12. Using Item H with Item M bolt Item F to Item A.
13. Using Item G bolt the ball bracket and wiring plate (not supplied in this kit) to the mounting plate.



### Note:

1. Recommended Torque Setting for M12 Grade 10.9 -139 Nm. (For other Torque Settings see notes overleaf.)
2. Nose load limits and vehicle manufacturers trailer / caravan weight limits must be observed.