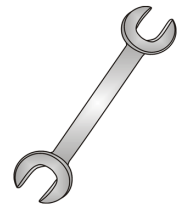




Tow-Trust Towbars

Important: Please read General Notes overleaf before fitting



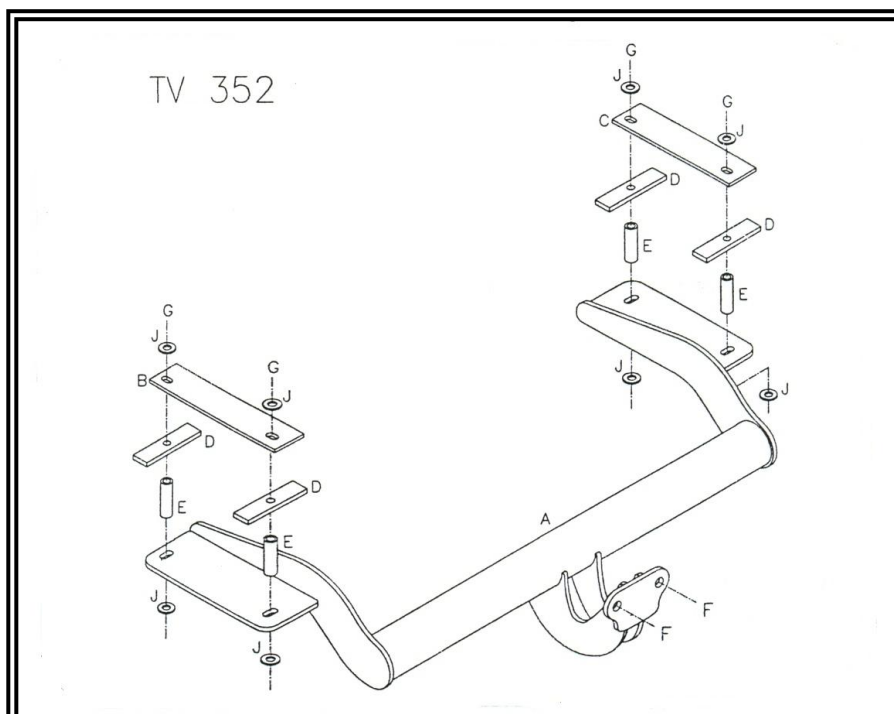
Issue 4

TV352 Vauxhall Vectra Saloon 2002 – 2009 / Vectra Hatch 2002> Fiat Croma Est 2005>

Item	Qty	Description	Item	Qty	Description
A	1	Towbar	F	2	M16 x 40 Bolts Nuts & S/P Washers
B	1	L/H Clamp Plate (long)	G	4	M10 x 110 Bolts, Nuts & S/P washer
C	1	R/H Clamp Plate (short)	J	8	10 x 25 Flat washers
D	4	Spacer Plates			
E	4	25 x 63 Spacer Bushes			

Fiat Croma Bumper Removal and Bumper Cut

- a) Remove rear inner trim and both side panels.
 - b) Remove light clusters.
 - c) Remove rear bumper. Two fixings each side under lamps, two vertical fixings each side inside side panels, one plastic fixing each side, three fixings around wheel arch, one fixing under splash liner, five fixings along the top edge and two fixings on bottom edge.
 - d) Cut a section from the lower edge of the bumper (Fiat Croma Only) 120mm wide x 145mm deep.
1. Temporarily remove the rear and each side panel.
 2. Locate the dimples in the floor above each chassis member. Drill out to 11mm. Open top hole only to 25mm clearance.
 3. Place Item B and Item C with Item D over the freshly drilled holes, mark around and remove mastic to ensure clamp plates seat correctly.
 4. Locate Item E into each hole and into the chassis.
 5. Place Item D with Item B and Item C into place inside the boot.
 6. Locate Item G with Item J down through the holes in each clamp plate and spacer bushes.
 7. Temporarily remove the rearmost exhaust hangers to allow access to the chassis.
 8. Locate Item A up into the bumper and over the exhaust.
 9. Locate Item J with the nuts and washers provided bolt Item A into place.
 10. Using Item F bolt the ball bracket and wiring plate (not supplied in this kit) to the mounting plate.
 11. Fully tighten all nuts and bolts and ensure the towbar is rigid and secure.
 12. Refit exhaust hangers, rear and side panels.



Note: nose load limits and vehicle manufacturers trailer / caravan weight limits must be observed.