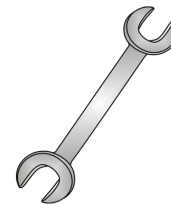




Tow-Trust Towbars

Important: Please read General Notes overleaf before fitting

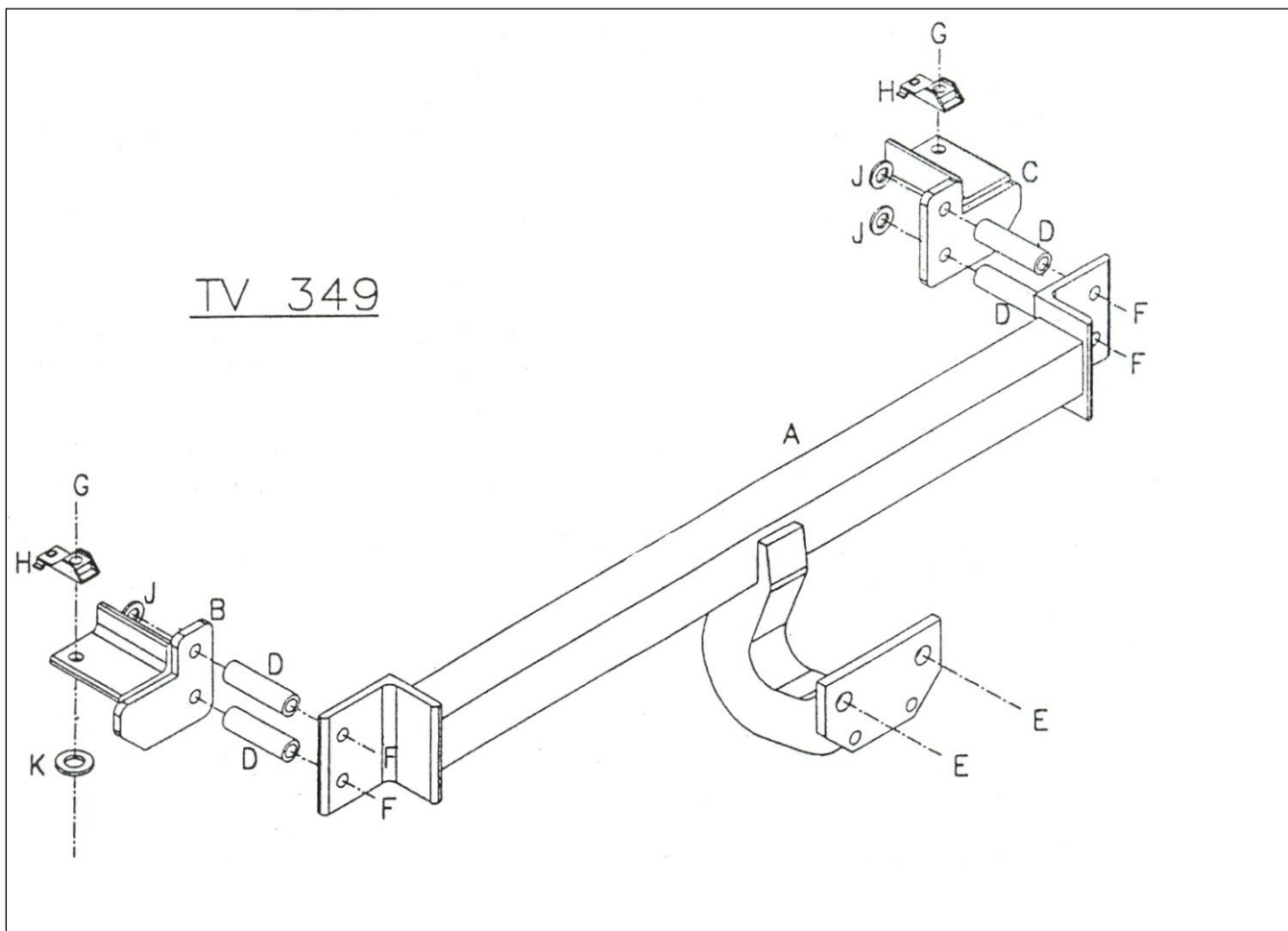


Issue 4

TV349 Vauxhall Zafira 1999 - 2005

Item	Qty	Description	Item	Qty	Description
A	1	Towbar	F	4	M12 x 110 Bolts, Nuts & S/P Washers
B	1	L/H Side Arm	G	2	M10 x 30 Bolts & S/P Washers only
C	1	R/H Side Arm	H	2	M10 Caged Nuts (Large)
D	4	25 x 68 Spacer Tubes	J	4	12 x 25 Flat Washers
E	2	M16 x 50 Bolts, Nuts & S/P Washers	K	2	10 x 25 Flat Washers

1. Remove the rear bumper, remove the crossmember bolted to the rear panel, locate the two dimples each side at 852mm centres and drill out to 25mm clearance.
2. Locate the existing hole in the underside of each chassis member and open out to 12mm, insert Item into the holes provided, using Item G and Item K loosely bolt Item B and Item C into place.
3. Using Item F with Item J and Item D placed into the chassis, bolt Item A into position.
4. Fully tighten all nuts and bolts and ensure the towbar is rigid and secure.
5. Re-fit the crossmember to the rear panel and carefully refit the bumper.
6. Using item E bolt the ball bracket and wiring plate (not supplied in this kit) to the mounting plate.



Note: nose load limits and vehicle manufactures trailer / caravan weight limits must be observed.