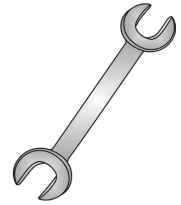




# Tow-Trust Towbars

Important: Please read General Notes overleaf before fitting

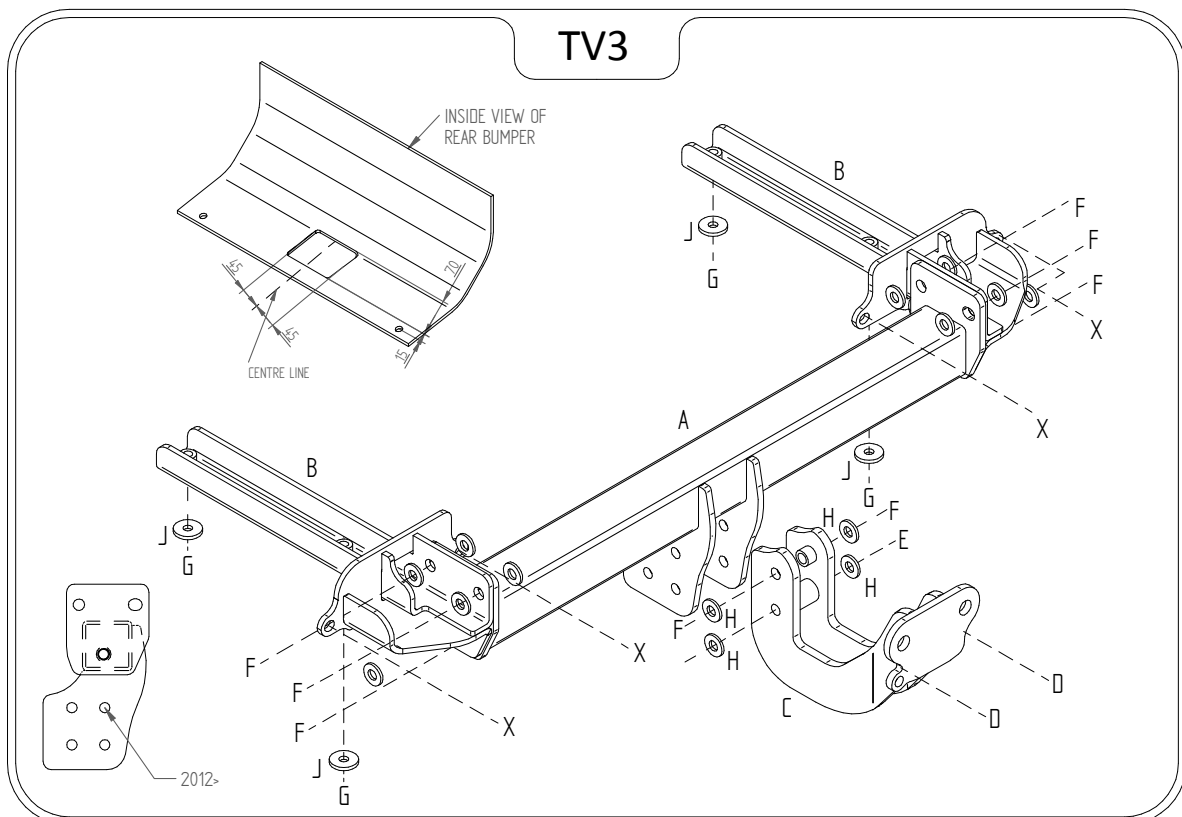


Issue 6

## TV3 VAUXHALL ASTRA HATCH 2009>

Item	Qty	Description	Item	Qty	Description
A	1	Crossmember	D	2	M16 x 40 Bolts Nuts & S/P Washers
B	1	Handed Side Arms	E	1	M12 x 110 Bolt & Nyloc Nut
C	1	Extension Bar	F	8	M12 x 40 Bolt, 4 Nuts & 8 S/P Washers
			G	4	M10 x 35 Bolts & S/P Washers
			H	14	12 x 25 Flat Washers
			J	4	10 x 40 Flat Washers
			X	4	Original Nuts

1. Remove the rear bumper, two fixings along the lower edge and four fixings around wheel arches, pull bumper tips outwards then rewards to release. (Some models have two fixings behind number plate).
2. Remove bumper beam (this is not refitted with Towbar assembly).
3. Locate the two vertical mounting points in each chassis member and drill out to 16mm.
4. Insert items **B** into each correct chassis and loosely fix in place with original nuts on rear panel and tighten (NOTE Not fully tight).
5. Using item **G** with item **J** bolt the side arms up through the vertical points.
6. Using items **F** bolt item **A** between items **B**.
7. Using items **E** with item **H** and item **F** with item **H** bolt item **C** to item **A**.
8. Fully tighten all nuts and bolts ensuring Towbar is rigid and secure.
9. Cut bumper as shown refit the rear bumper.
10. Using items **D** fit the ball bracket and wiring plate (not supplied in this kit) to items **C** and fully tighten.



**Note:**

1. Recommended Torque Setting for M12 Grade 10.9 -139 Nm. (For other Torque Settings see notes overleaf.)
2. Nose load limits and vehicle manufacturers trailer / caravan weight limits must be observed.