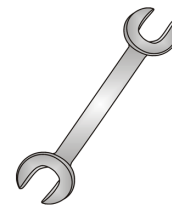




# Tow-Trust Towbars

Important: Please read General Notes overleaf before fitting

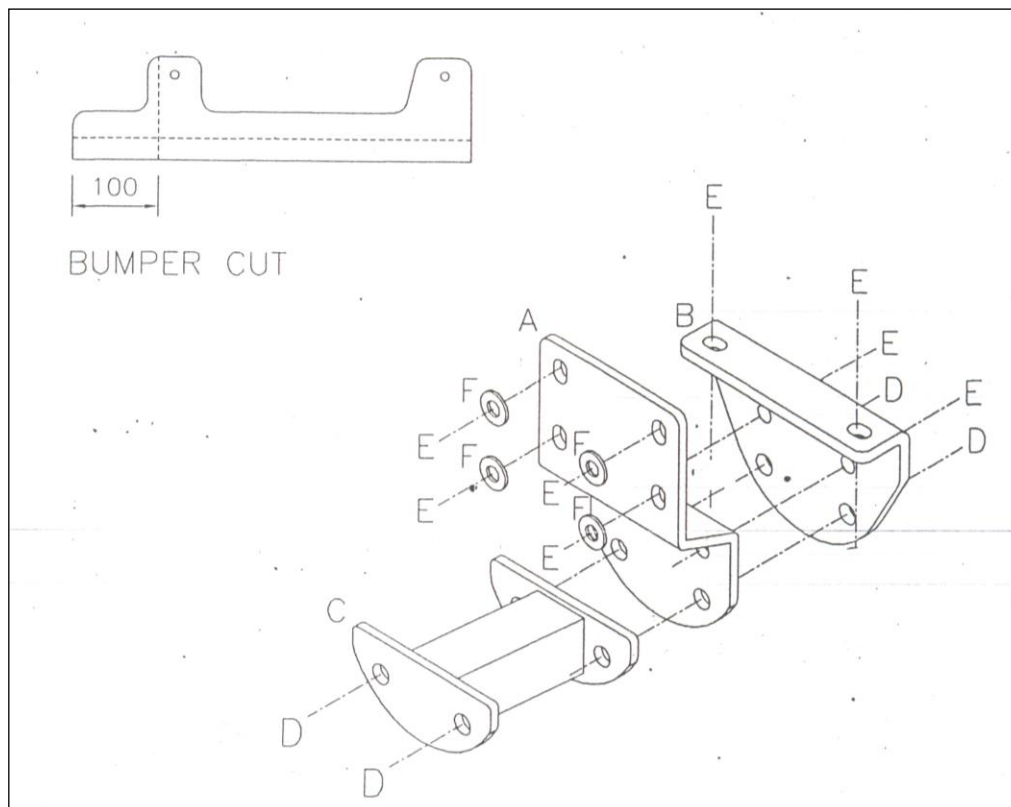


Issue 5

## TT894 Toyota Landcruiser Type LC 120 & LC 150 LWB All Models 2002>

Item	Qty	Description	Item	Qty	Description
A	1	Drop Plate	D	4	M16 x 50 Bolts, Nuts & S/P Washers
B	1	Angle Bracket	E	8	M12 x 40 x 1.25 Bolts, 2 (12 x 1.25) Nyloc Nuts & 6 S/P Washers
C	1	Extension Bar	F	4	12 x 25 Flat Washers
			G	4	16mm Bolt Caps
			H	2	12mm Bolt Caps

1. Remove bumper. One fastener on the lower edge of each bumper tip, bumper support bracket, temporarily disconnect wiring to bumper mounted lights, disconnect rear door stay, unclip the plastic bumper trim from the underside and remove. Re-fit door stay, one fastener on the left hand side of the door opening, unclip each bumper tip. (These are not always easy and may need levering apart, at the same time care must be taken to ensure no damage is done to the bumper.) Pull bumper off rearwards.
2. Trim off the ends of the bumper support brackets (see sketch).
3. Using Item E loosely bolt Item B to existing captive nuts in the lower face of the crossmember and fully tighten.
4. Using Item E with Item F loosely bolt Item A to the existing captive nuts in the rear face of the crossmember and to Item B.
5. Using Item D loosely bolt Item C to Item A and to Item B.
6. Using item D bolt the ball bracket and wiring plate (not supplied in this kit) to the mounting plate.
7. Fully tighten all nuts and bolts and ensure the towbar is rigid and secure.
8. Fit bolt caps.
9. Re-fit the bumper.



**Note:** nose load limits and vehicle manufacturers trailer / caravan weight limits must be observed.