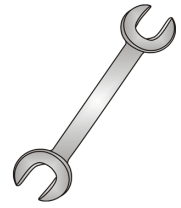




Tow-Trust Towbars

Important: Please read General Notes overleaf before fitting

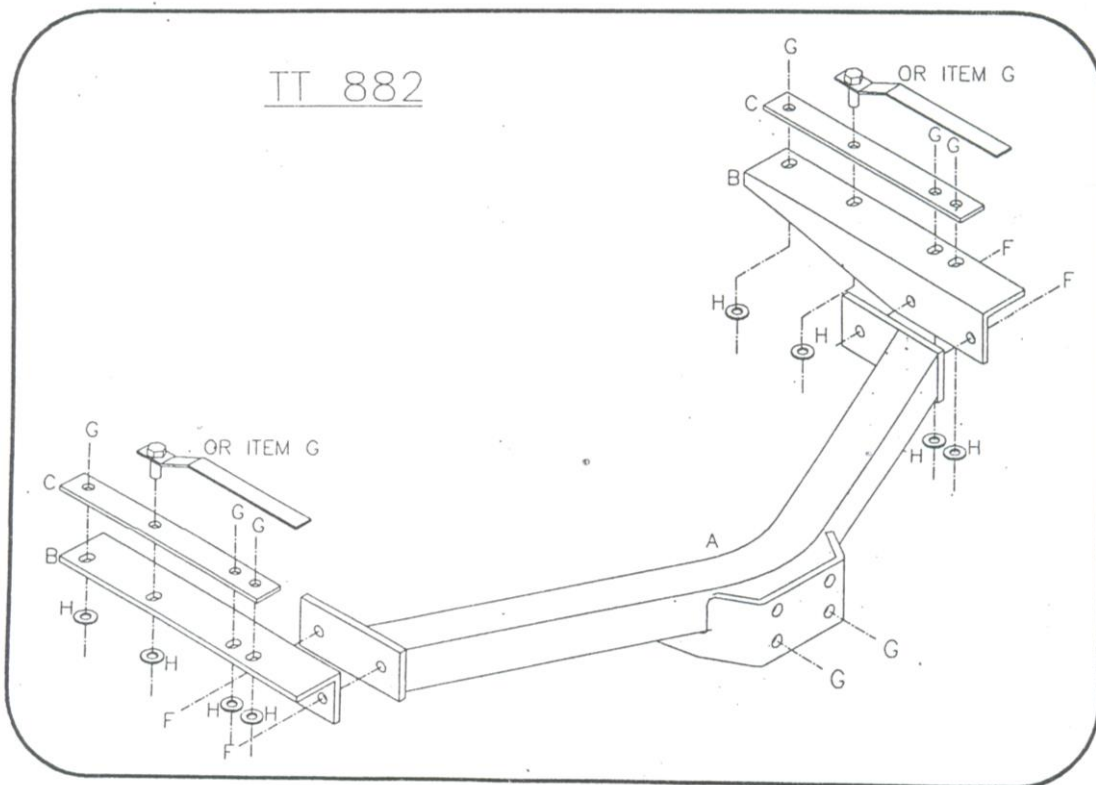


Issue 4

TT882 Toyota Landcruiser (Type 90) Colorado LWB 1996-2002 Not SWB Hi-Lux Surf 4WD (Import) (inc. Prado LWB) 1996 >

Item	Qty	Description	Item	Qty	Description
A	1	Crossmember	E	2	M16 x 50 Bolts Nuts & S/P Washers
B	2	Handed Angle Brackets	F	4	M12 x 30 Bolts 2 Nuts & 4 S/P Washers
C	2	Spacer Plates	G	8	M12 x 40 x 1.25 Bolts 2 Nuts & 8 S/P Washers
D	2	Straps with Welded Bolts, Nuts & Washers	H	10	12 x 25 Flat Washers

1. Remove the towing eye from the nearside chassis.
2. Remove the bolts fixing the fuel tank shield to the chassis.
3. Using item **G** with item **H** loosely bolt item **B** and item **C** between the fuel tank shield and each chassis member.
4. On early models locate item **D** into the ends of each chassis member and bolt into place. (Later models have captive nuts so use extra bolts item **G**). NOTE: On certain models captive nuts are not in place so use nuts and washers provided.
5. Using item **F** bolt item **A** to item **B**.
6. Using item **E** bolt the ball bracket and wiring plate (not supplied in this kit) to the mounting plate.
7. Fully tighten all nuts and bolts and ensure the towbar is rigid and secure.



Note:

1. Recommended Torque Setting for M12 Grade 10.9 -139 Nm. (For other Torque Settings see notes overleaf.)
2. Nose load limits and vehicle manufacturer's trailer / caravan weight limits must be observed.