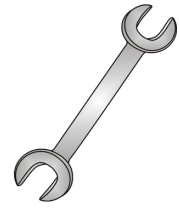




Tow-Trust Towbars

Important: Please read General Notes overleaf before fitting



Issue 2

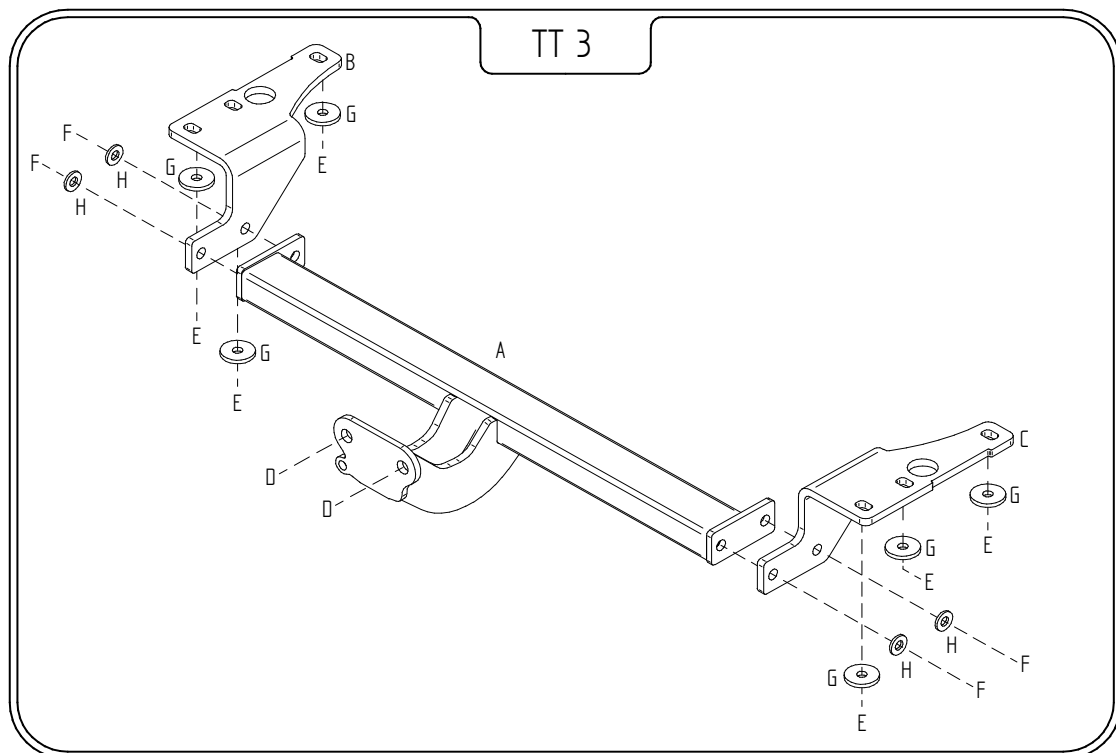
TT3 TOYOTA AURIS 2007 - 2012

Item	Qty	Description	Item	Qty	Description
A	1	Crossmember	D	2	M16 x 50 Bolts, Nuts & S/P Washers
B	1	Left Side Arms	E	6	M12 x 35 x 1.25 Bolts & S/P Washers
C	1	Right Hand Side Arm	F	4	M12 x 40 Bolts, 2 Nuts & 4 S/P Washers
			G	6	12 x 40 Flat Washers
			H	4	12 x 25 Flat Washers

T-SPIRIT MODEL ONLY: Remove the under tray (This is not refitted with Towbar assembly), on the inner edge remove the five fixings and on the outer edge remove five fixings.

ALL MODELS:

1. Remove the Towing eye from the nearside chassis member.
2. Locate Towbar mounting points on the lower face of each chassis member and clear from any mastic.
3. Using item E with item G bolt item B and C to each correct chassis member.
4. Using item F with item H bolt item A to each side arm.
5. Using item D bolt the ball bracket and wiring plate (not supplied in this kit) to item A.
6. Fully tighten all nuts and bolts ensuring Towbar is rigid and secure.



Note:

1. Recommended Torque Setting for M12 Grade 10.9 -139 Nm. (For other Torque Settings see notes overleaf.)
2. Nose load limits and vehicle manufacturer's trailer / caravan weight limits must be observed.