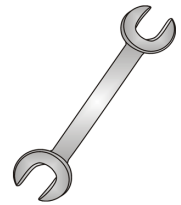




# Tow-Trust Towbars

Important: Please read General Notes overleaf before fitting



Issue 1

## TSUZ2 SUZUKI JIMNY 2019>

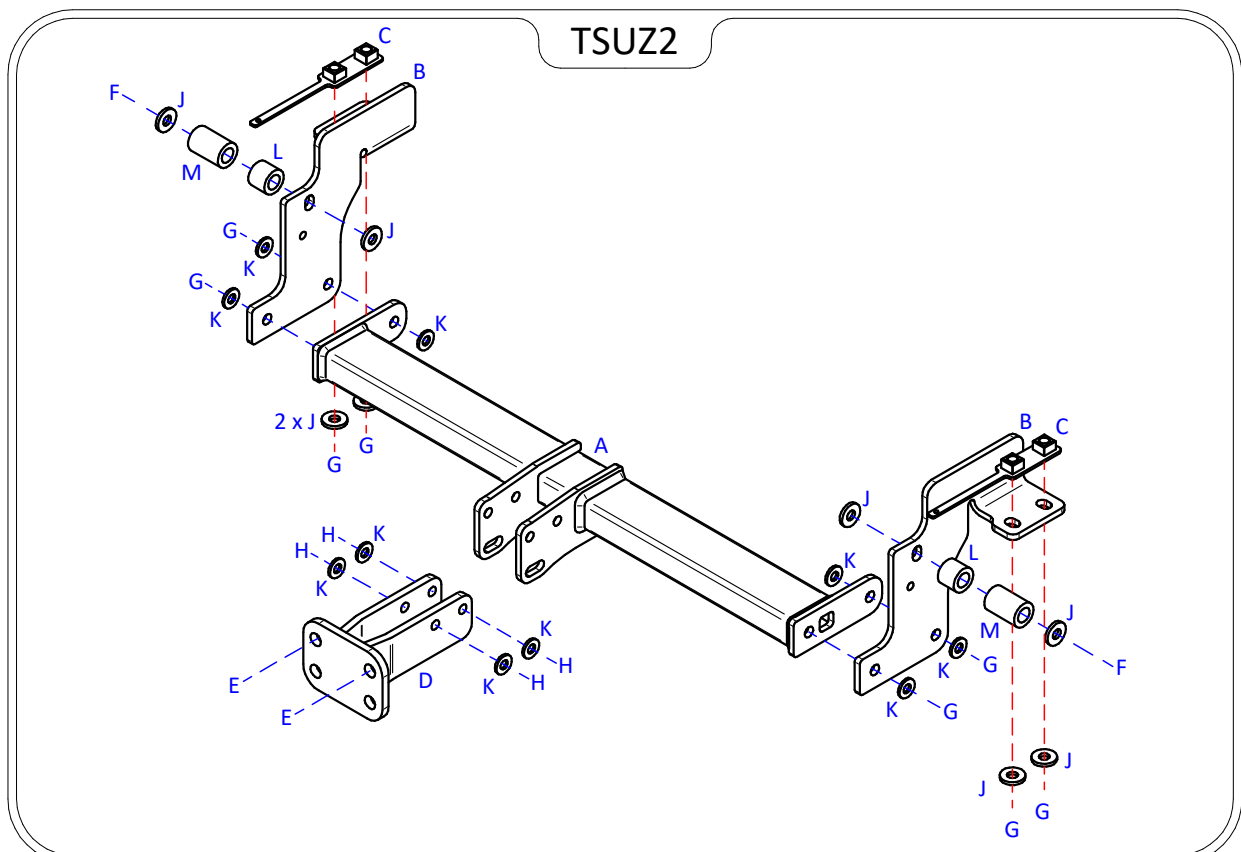
Item	Qty	Description	Item	Qty	Description
A	1	TSUZ2 Crossmember	E	2	M16 x 50 Bolts & Nyloc Nuts
B	2	Handed Side Arms	F	2	M12 x 120 Bolts & Nyloc Nuts
C	2	Clamp Plates	G	8	M12 x 40 Bolts, 2 Nyloc Nuts and 6 S/P Washers
D	1	Extension	H	4	M12 x 40 Bolts & Nyloc Nuts
			J	8	12 x 30 Flat Washers
			K	10	12 x 25 Flat Washers
			L	2	30mm O/D x 26mm Long Spacer Tube
			M	2	30mm O/D x 49mm Long Spacer Tube

### BUMPER REMOVAL:

1. Open the rear door to reveal six fixings along the bumper upper edge to remove, two fixings along bumper lower edge and one tip fixing in each wheel arch. Under the vehicle looking back inside the bumper you will see a black box with two cables going inside, remove the retaining screw and open cover, this will reveal two plugs to unplug. Carefully release bumper from vehicle body work.

### TOWBAR INSTALLATION;

1. Insert Items C into each chassis member and line up with the two vertical Towbar mounting points found on the lower face of each chassis.
2. Insert Item M into the end of each chassis member and line up with the Towbar mounting point found in the side face at the rear of the chassis, retain Item M using Item F (Bolt only) and Item J. (ensure Item F is fitted from the outside face of the chassis ready for when Item B is fitted, do not fit at nut at this stage).
3. Using the Nyloc nut from Item F and Item J fix each side arm (Items B) onto Item F using Item L as a spacer from the chassis.
4. Using Item G and Item K fix Item A between each side arm (Items B).
5. Using Item H with Item K fix Item D to Item A.
6. Using Item E fix your desired ball bracket and wiring plate (Not supplied in this kit) to Item D.
7. Fully tighten all fixings ensuring the Towbar is rigid, square and secure.
8. Refit the rear bumper.



### Note:

1. Torque Settings see notes overleaf.
2. Nose load limits and vehicle manufacturers trailer / caravan weight limits must be observed.