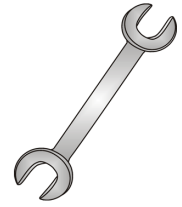




Tow-Trust Towbars

Important: Please read General Notes overleaf before fitting

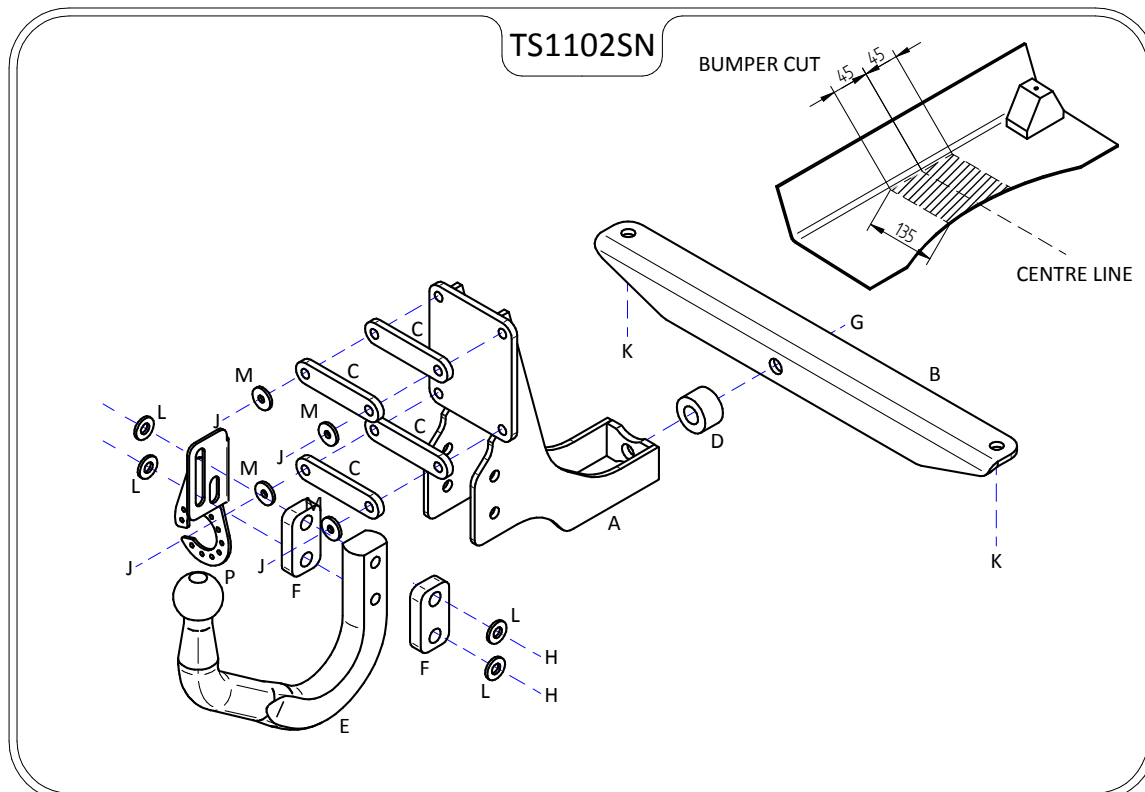


Issue 1

**TS1102SN 9-3 SAAB SAL & SPORT 2002> SAAB 9-3 EST 2005>
SAAB 9-3 HATCH & SPORT / 9-3 CONVERTIBLE & SPORT 2003>
CADILLAC BLS 2006>**

Item	Qty	Description	Item	Qty	Description
A	1	Towbar	F	2	15mm Spacer Plates
B	1	Angle Bracket	G	1	M16 x 65 Sets, Nut & S/P Washer
C	4	Clamp Plates	H	2	M12 x 110 Grade 10.9 Bolts & Nyloc Nuts
D	1	Spacer	J	4	M10 x 50 Bolts, Nuts & S/P Washers
E	1	ACS4 / 9204 Swan Neck	K	2	M10 x 30 Bolts & S/P Washers
			L	4	12 x 25 Flat Washers
			M	4	10 x 25 Flat Washers
			P	1	VASP8 L/H Socket Plate

1. Remove the rear bumper. Two fixings around each wheel arch, two fixings along bottom edge either side by wheel arch, two fixings along the lower bumper near to spare wheel well some models have two fixings under each light cluster. If fitted remove the reversing sensors. Ensure bumper is unclipped at each end and pull bumper rearwards.
2. Cut a section from the lower edge of the bumper SEE SKETCH. (If required trim to suit.)
3. Using Item J with Item M and Item C loosely bolt Item A to the bumper beam through the existing holes provided.
4. Using Item K loosely bolt Item B to the existing threaded mounting points in the spare wheel well.
5. **Sportswagon Models Only:** Using Item G with Item D bolt Item A to Item B. All other models Item D is not required.
6. Using Item H with Item L and Item F bolt Item E and Item P to Item A.
7. Fully tighten all nuts and bolts and ensure the Towbar is rigid, square and secure.
8. Refit the bumper. Using Item F with Item L and Item H with Item L bolt Item E and Item P to Item A.



Note:

1. Recommended Torque Setting for M12 Grade 10.9 -139 Nm. (For other Torque Settings see notes overleaf.)
2. Nose load limits and vehicle manufacturer's trailer / caravan weight limits must be observed.