



Tow-Trust Towbars

Important: Please read General Notes overleaf before fitting

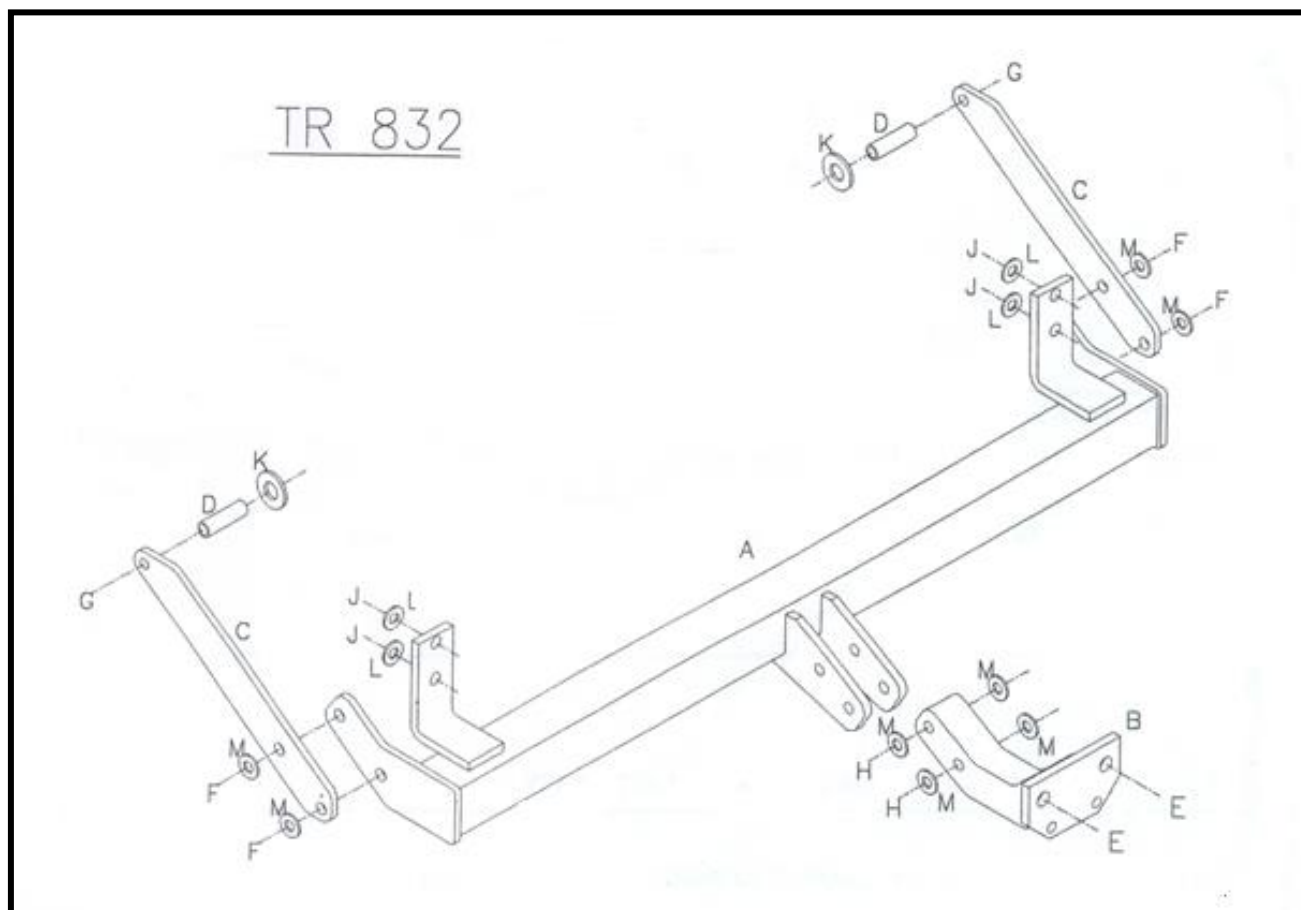


Issue 7

TR832 Renault Laguna II Estate 2001 - 2008

Item	Qty	Description	Item	Qty	Description
A	1	Crossmember	F	4	M12 x 35 Bolts, Nuts & S/P Washers
B	1	Extension Bar	G	2	M10 x 90 Bolts, Nuts & S/P Washers
C	2	Side Arms	H	2	M12 x 85 Grade 10.9 Bolts & Nyloc Nuts
D	2	17 x 58 Spacer Tubes	J	4	M8 x 35 Bolts & S/P Washers Only
E	2	M16 x 50 Bolts, Nuts & S/P Washers	K	2	10 x 50 Flat Washers
			L	4	8 x 25 Flat Washers
			M	8	12 x 25 Flat Washers

1. Locate the plastic bungs in the rear panel and remove.
2. Using Item J and Item L loosely bolt Item A to the existing threaded holes in the rear panel.
3. Locate and remove the plastic bung in each chassis member at the forward mounting point.
4. Place Item D into each chassis from the outside face, and using Item G with Item K loosely bolt Item C to the outer face of the chassis.
5. Using Item F with Item M bolt Item C to item A.
6. Using Item H with item M bolt Item B to Item A.
7. Using item E bolt the ball bracket and wiring plate (not supplied in this kit) to the mounting plate.
8. Fully tighten all nuts and bolts and ensure the towbar is rigid and secure.



Note:

1. Recommended Torque Setting for M12 Grade 10.9 -139 Nm. (For other Torque Settings see notes overleaf.)
2. Nose load limits and vehicle manufacturers trailer / caravan weight limits must be observed.