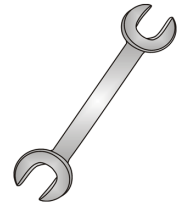




# Tow-Trust Towbars

Important: Please read General Notes overleaf before fitting

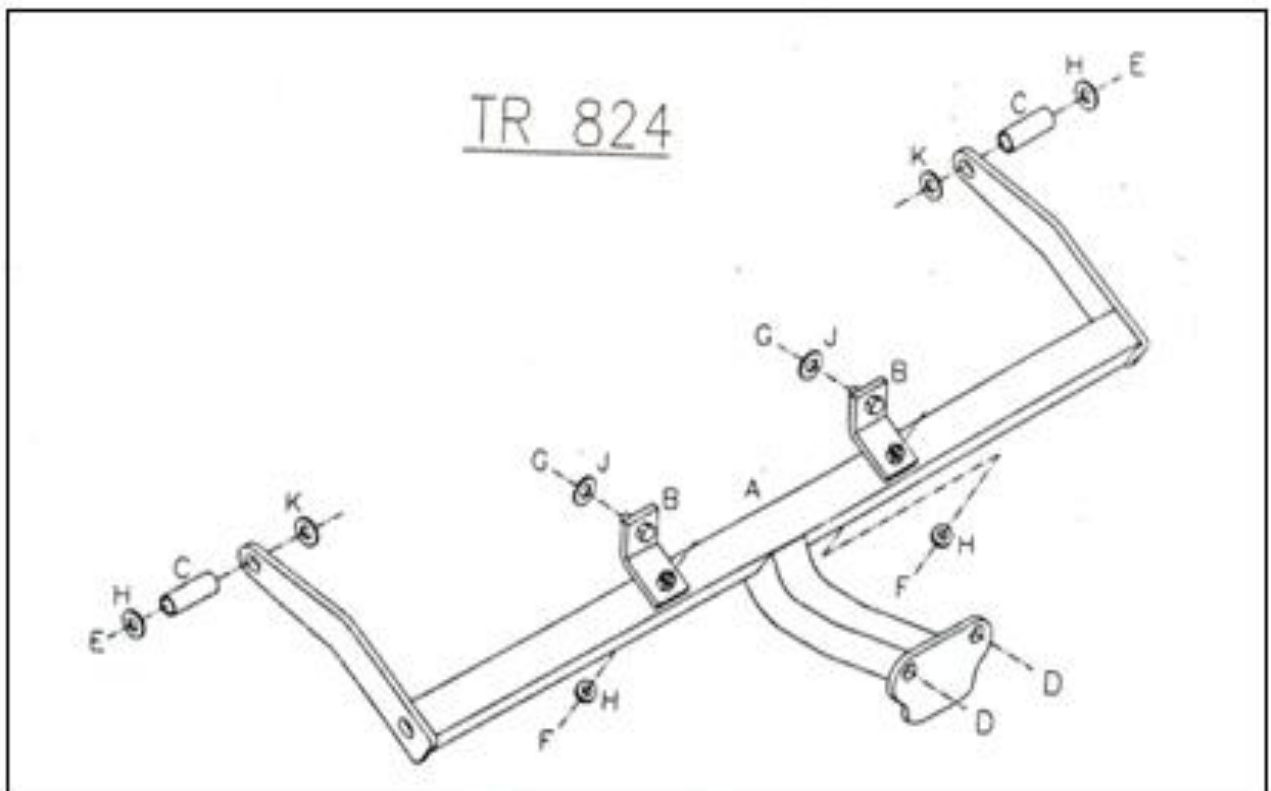


Issue 3

## TR824 Renault Kangoo Van 1998 – 2009 Nissan Kubistar Van 2003>

Item	Qty	Description	Item	Qty	Description
A	1	Towbar	D	2	M16 x 50 Bolts, Nuts & S/P Washers
B	2	Angle Brackets	E	2	M10 x 90 Bolts, Nuts & S/P Washers
C	2	19 x 51 Spacer Bushes	F	2	M10 x 70 Bolts, & S/P Washers
			G	2	M10 x 35 Bolts & S/P Washers
			H	4	10 x 40 Flat Washers
			J	2	10 x 50 Flat Washers
			K	2	10 x 25 Flat Washers

1. Temporarily remove the rear exhaust rubbers, exhaust mounting bracket and heat shield.
2. Locate Item **B** into the existing slots inside the rear panel and using Item **G** with Item **J** loosely bolt into position.
3. Using Item **F** with Item **H** loosely bolt Item **A** to Item **B**.
4. Locate Item **C** into the existing holes in each chassis member and using Item **E** with Item **H** and Item **K** bolt Item **A** into place.
5. Using Item **D** bolt the ball bracket and wiring plate (not supplied in this kit) to the mounting plate.
6. Fully tighten all nuts and bolts and ensure the towbar is rigid and secure.



**Note:** nose load limits and vehicle manufacturers trailer / caravan weight limits must be observed.