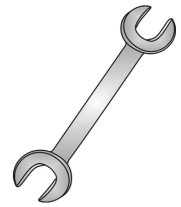




# Tow-Trust Towbars

Important: Please read General Notes overleaf before fitting



Issue 6

## TPUG14VK PEUGEOT 3008 2017> / VAUXHALL GRANDLAND X 2017>

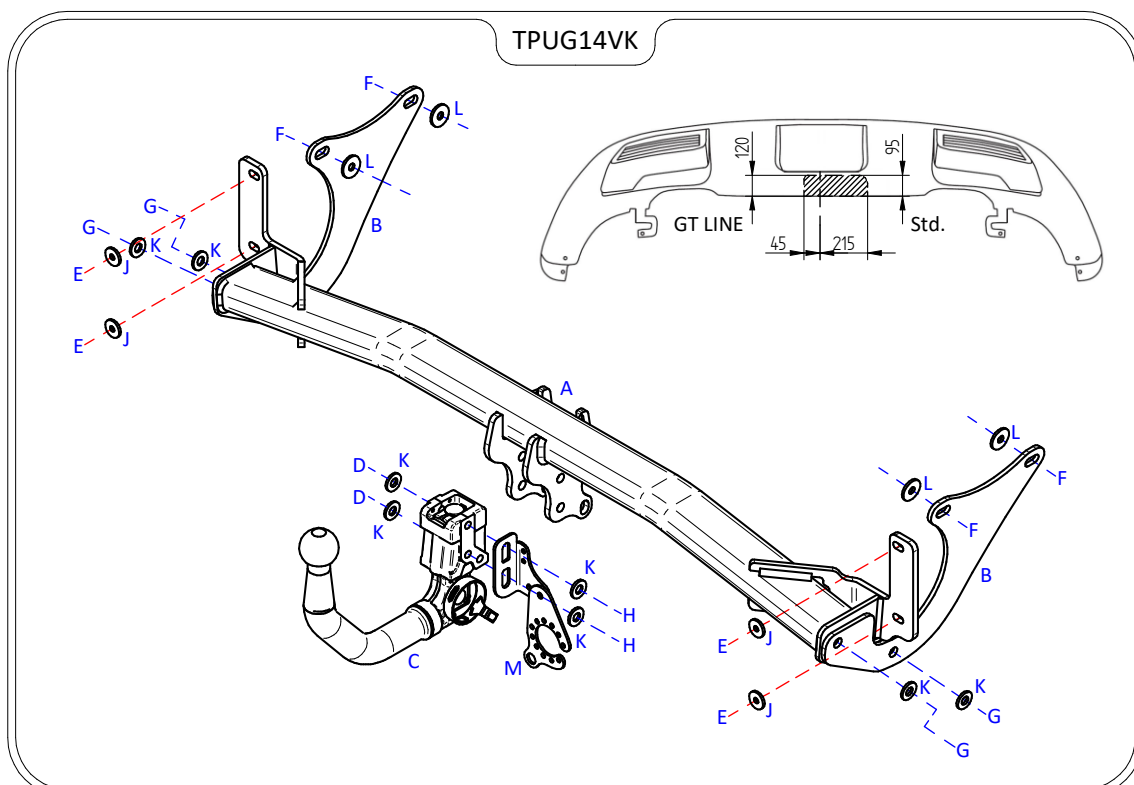
Item	Qty	Description	Item	Qty	Description
A	1	TPUG14 Crossmember	D	2	M12 x 22 & S/P Washers
B	2	Side Arms	E	4	M8 x 40 Bolts (10.9) & S/P Washers
C	1	6208 Detachable Neck	F	4	M10 Flange Nyloc Nuts (50 Nm)
			G	4	M12 x 35 Bolts, 2 Nyloc Nuts & 2 S/P Washers
			H	2	M12 x 25 & S/P Washers
			J	4	8 x 25 H/D Flat Washers
			K	8	12 x 25 Flat Washers
			L	4	10 x 30 Flat Washers
			M	1	Flip Up Socket Plate (TTFP/RH)

### BUMPER REMOVAL:

1. Remove the rear light clusters.
2. Remove three wheel arch fixings either side, peel back wheel arch liner to reveal one tip fixing either side of the vehicle and remove.
3. Carefully unclip wheel arch trim.
4. Remove two fixings around boot shut area.
5. Remove eight fixings along bumper lower edge. Remove one fixing either side under the vehicle connecting bumper tabs to the lower rear panel, carefully release bumper tips from bodywork and pull bumper rearwards to remove.

### TOWBAR INSTALLATION:

1. Remove the outer two fixings from the rear impact beam. (Do not remove the inner fixings)
2. Using Item E with Item J fix Item A to the vehicle rear panel sandwiching the rear impact beam.
3. Locate the two fixings on the outside face of each chassis member and clear from any mastic.
4. Using Item F fix Items B to each chassis member using Items L as spacers.
5. Using Items G with Item K fix Items B to Item A.
6. Using Item D with Item K and Item H with Item K fix Item C and Item M to Item A.
7. Fully tighten all fixings ensuring the Towbar is rigid, square and secure.
8. Cut the rear bumper as per the sketch below and refit. (Remove any wiring looms from cut area before cutting)



### Note:

1. Torque Settings see notes overleaf.
2. Nose load limits and vehicle manufacturers trailer / caravan weight limits must be observed.