



Tow-Trust Towbars

Important: Please read General Notes overleaf before fitting



Issue 1

TPUG13 PEUGEOT 2008 2013>

Item	Qty	Description	Item	Qty	Description
A	1	TPUG13 Crossmember	E	2	M16 x 50 Bolts, Nuts & S/P Washers
B	2	Handed Side Arms	F	12	M10 x 35 Bolts, 6 Nyloc Nuts & 6 S/P Washers
C	2	Angle Brackets	G	2	M8 x 30 (10.9) Bolts & S/P Washers
D	1	Extension	H	2	M12 x 40 Bolts & Nyloc Nuts
			J	1	M12 x 120 Bolt (10.9) & Nyloc Nut
			K	14	10 x 25 Flat Washers
			L	2	8 x 25 H/D Flat Washers
			M	4	12 x 25 Flat Washers
			N	4	M10 Small Metal Cage Nuts
			P	1	30mm O/D x 60mm Long Spacer Tube

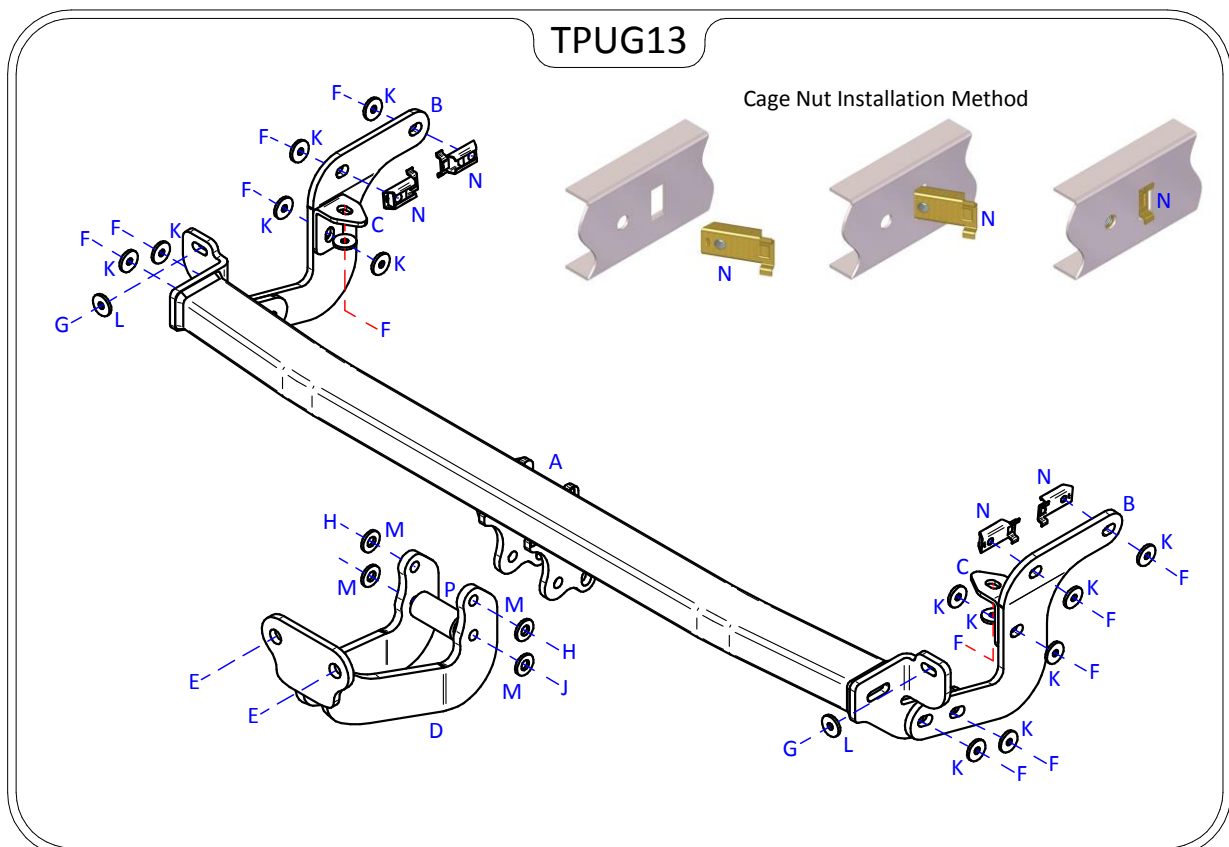
This Towbar can be fitted without removing the rear bumper.

OPTIONAL BUMPER REMOVAL:

1. Remove the rear light clusters. Remove eight fixings along the lower edge of the rear bumper, one fixings around each wheel arch liner, peel back wheel arch liner to reveal one tip fixing each side. Pull bumper rearwards to release from the vehicle. Disconnect any wiring looms.

TOWBAR INSTALLATION:

1. Locate Towbar mounting points on the lower and outside face of each chassis member, these are usually covered with tape.
2. Insert Items **N** through the square access point in the side face of each chassis member and line up the Towbar mounting point.
3. Remove the lowest outboard fixing either side of the vehicle securing the rear impact beam. (these fixings can be discarded).
4. Using Item **G** with Item **L** fix Item **A** to the rear panel.
5. Using Item **F** with Item **K** fix Items **B** to each chassis member and Item **A**.
6. Using Item **F** with Item **K** Fix Item **C** to the lower face of each chassis member and Item **B**.
7. Using Item **H** with Item **M** and Item **J** with Item **M** fix Item **D** to Item **A** ensuring Item **P** is secured between the lower mounting point.
8. Using Item **E** fix your desired ball bracket and wiring plate (Not supplied in this kit) to Item **D**.
9. Fully tighten all fixings ensuring the Towbar is rigid, square and secure.



Note:

1. Recommended Torque Setting for M12 Grade 10.9 -139 Nm. (For other Torque Settings see notes overleaf.)
2. Nose load limits and vehicle manufacturers trailer / caravan weight limits must be observed.