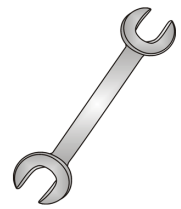




Tow-Trust Towbars

Important: Please read General Notes overleaf before fitting

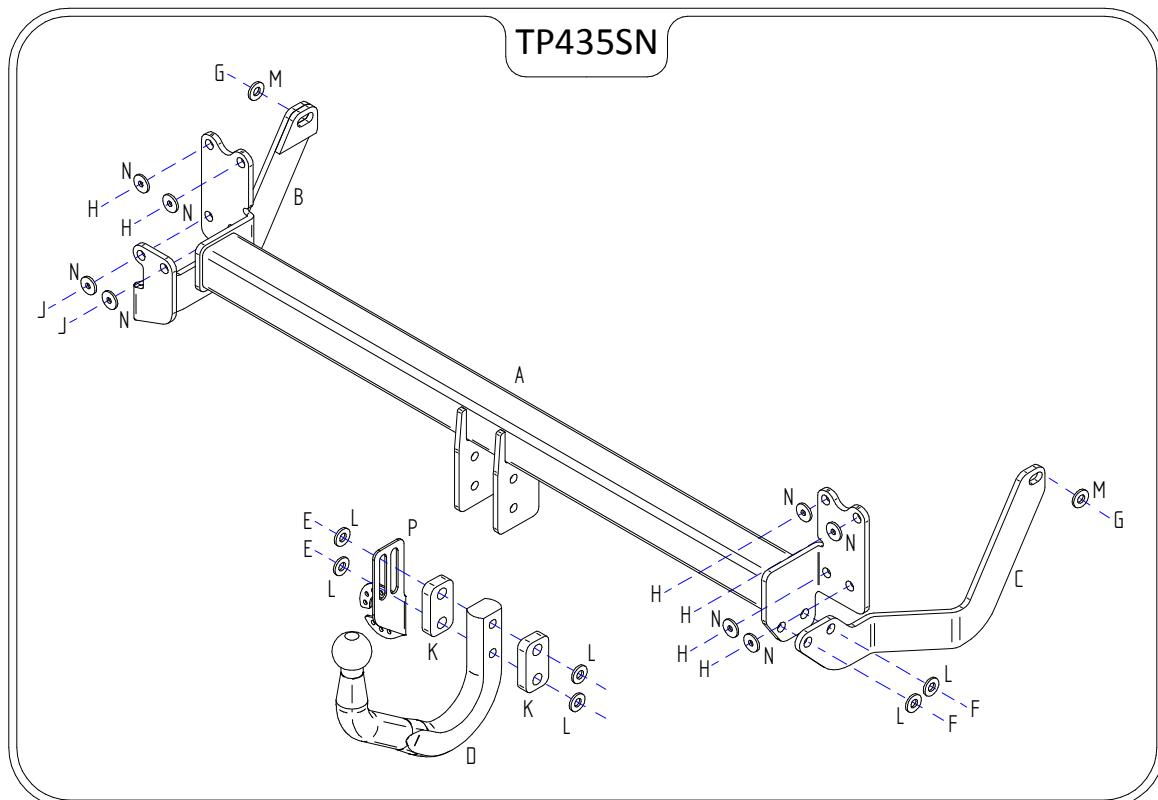


Issue 1

TP435SN Peugeot 407 Saloon 2004> Citroen C5 Saloon (X73) 2008>

Item	Qty	Description	Item	Qty	Description
A	1	Crossmember	E	2	M12 x 110 Grade 10.9 Bolts & Nyloc Nuts
B	1	Left Hand Side Arm	F	2	M12 x 40 Bolts, Nuts & S/P Washers
C	1	Right Hand Side Arm	G	2	M10 x 40 Bolts & S/P Washers
D	1	ACS4 / 9204 Swan Neck	H	6	M8 x 30 Bolts & S/P Washers
			J	2	M8 x 40 Bolts & S/P Washers
			K	2	15mm Spacer Plates
			L	6	12 x 25 Flat Washers
			M	2	10 x 25 Flat Washers
			N	8	8 x 25 Flat Washers
			P	1	VASP8 L/H Socket Plate

- Temporarily disconnect the rear light clusters and remove. (Unclip the inner boot lining to gain access to the fixings.)
- Disconnect the number plate light and remove number plate.
- Remove the rear bumper. (**PEUGEOT 407**) Five fixings along bottom edge, one fixing on the lower central bumper support, two fixings in each light cluster area, two fixings under each wheel arch, two fixings on the left and right hand upper edge of the bumper.
(**CITROEN C5**) Five fixings on the bottom edge, one fixing in each light cluster area, three fixings around wheel arch, and one fixing behind wheel arch liner.
- Remove the eight fixings securing the bumper beam. (This is not refitted with the Towbar)
- Remove all mastic from around Towbar fixing points.
- Using Item **H** with Item **N** loosely bolt Item **A** to the rear panel.
- Locate the existing threaded holes in each chassis (these are covered with tape) and using Item **G** with Item **M** loosely bolt Item **B** and Item **C** into place.
- Using Item **F** with Item **L** loosely bolt Item **C** to Item **A**.
- Using Item **J** with Item **N** loosely bolt Item **B** to Item **A** and rear panel.
- Using Item **E** with Item **L** and Item **K** bolt Item **D** and Item **P** to Item **A**.
- Fully tighten all nuts and bolts and ensure the Towbar is rigid, square and secure.
- Refit bumper, number plate and light clusters.



Note:

- Recommended Torque Setting for M12 Grade 10.9 -139 Nm. (For other Torque Settings see notes overleaf.)
- Nose load limits and vehicle manufacturers trailer / caravan weight limits must be observed