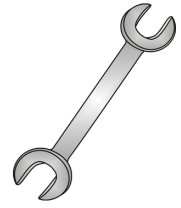




Tow-Trust Towbars

Important: Please read General Notes overleaf before fitting

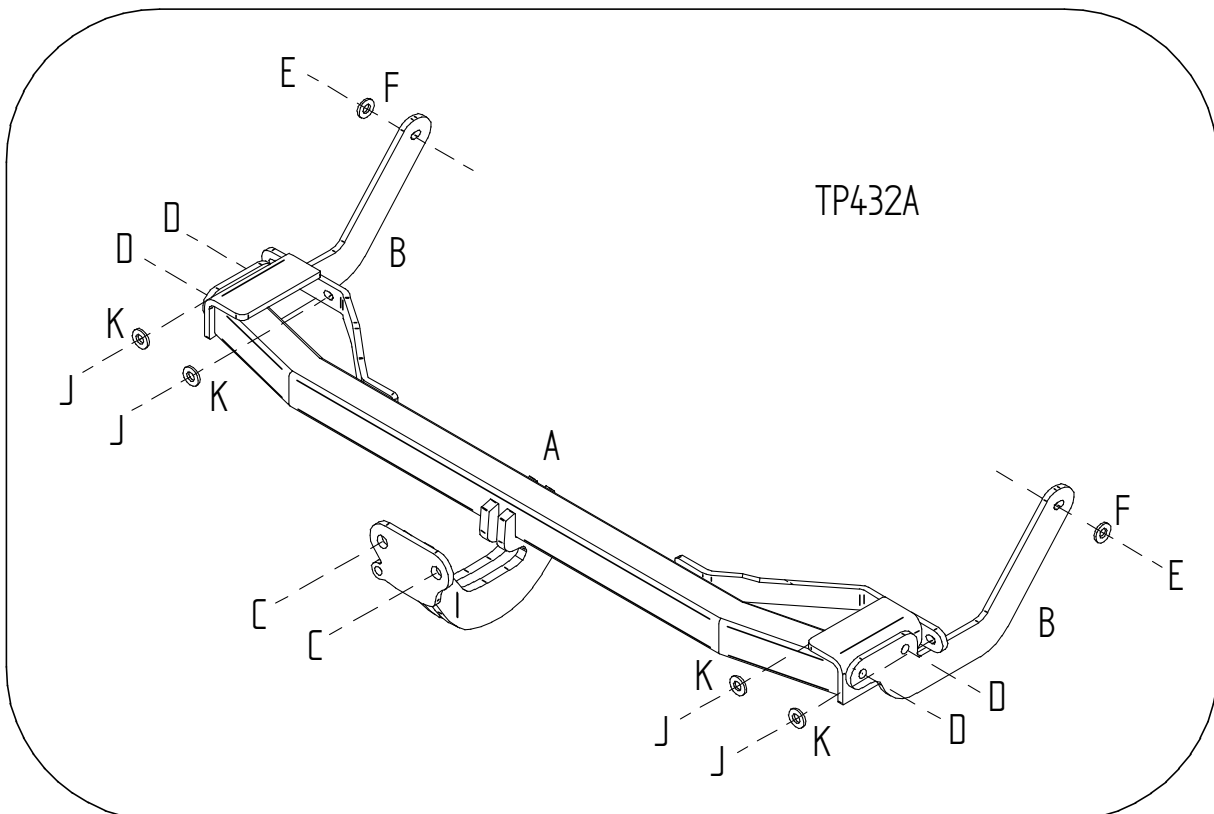


Issue 3

TP432A PEUGEOT 307 SW 2002 - 2008

Item	Qty	Description	Item	Qty	Description
A	1	Crossmember	C	2	M16 x 50 Bolts, Nuts & S/P Washers
B	2	Side Arms	D	4	M10 x 35 Bolts, 2 Nuts & 4 S/P Washers
			E	2	M8 Nuts & S/P Washers
			F	2	8 x 25 Flat Washers
			J	4	M8 x 40 Bolts & S/P Washers
			K	4	8 x 25 H/D Flat Washers

1. Lower the two exhaust hangers securing the rear box.
2. Locate and disconnect the three bumper tags on the underside. Remove the nut fasteners from the outer tags only. Remove the tie down eyes. (If fitted.)
3. Cut the lower edge of the bumper 55mm wide x 20mm deep centrally. (This cut is not visible.)
4. Remove the two lower bolts from each side of the bumper beam.
5. Carefully locate Item A inside the bumper and using Item J with Item K loosely bolt Item A to the bumper beam captive nuts.
6. Locate Item B onto the existing studs in each chassis member, and using Item E with Item F loosely bolt into place.
7. Using Item D bolt Item B to Item A.
8. Using Item C bolt the ball bracket and wiring plate (not supplied in this kit) to the mounting plate.
9. Fully tighten all nuts and bolts and ensure the towbar is rigid and secure.
10. Replace bumper tags.



Note: nose load limits and vehicle manufacturers trailer / caravan weight limits must be observed.