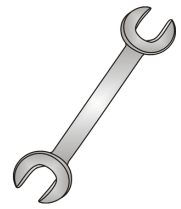




Tow-Trust Towbars

Important: Please read General Notes overleaf before fitting

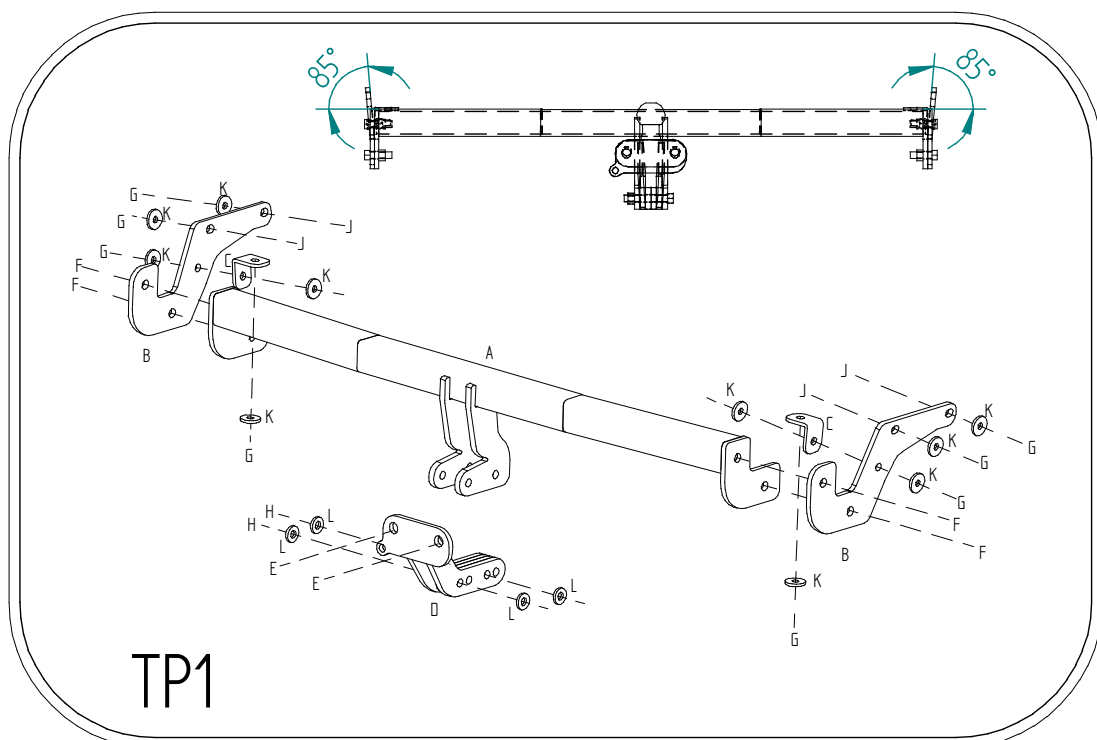


Issue 8

TP1 Peugeot 207 3 & 5 Door Hatch 2006> Peugeot 207 Van 2007> Citroen C3 Picasso 2009>

Item	Qty	Description	Item	Qty	Description
A	1	Crossmember	E	2	M16 x 40 Bolts, Nuts & S/P Washers
B	2	Side Arms	F	4	M12 x 35 Bolts, 2 Nuts & 4 S/P Washers
C	2	Angle Brackets	G	8	M10 x 35 Bolts, 2 Nuts & 8 S/P Washers
D	1	Extension Bar	H	2	M12 x 85 Grade 10.9 Bolts & Nyloc Nuts
			J	4	M10 Caged Nuts (Small)
			K	10	10 x 30 Flat Washers
			L	4	12 x 25 Flat Washers

1. Temporarily remove the two fixings from the lower edge of the bumper.
2. Remove the tape covering the existing two holes in the outer face of each chassis member and the existing hole in the lower face of each chassis member.
3. Locate item J into the square holes provided in the outer face of each chassis member.
4. Using item G with item K loosely bolt item B to the left hand outer face of the chassis member.
5. Carefully locate item A inside the bumper and over the exhaust.
6. Using item G with item K loosely bolt item B to the right hand outer face of the chassis member.
7. Using item F bolt item A to item B.
8. Using item G with item K loosely bolt item C to the existing threaded holes in the lower face of each chassis member and also to item B.
9. Using item H with item L bolt item D to item A.
10. Using item E bolt the ball bracket and wiring plate (not supplied in this kit) to the mounting plate.
11. Fully tighten all nuts and bolts and ensure the Towbar is rigid and secure.
12. Replace fixings along lower edge of the bumper.



Note:

1. Recommended Torque Setting for M12 Grade 10.9 -139 Nm. (For other Torque Settings see notes overleaf.)
2. Nose load limits and vehicle manufacturer's trailer / caravan weight limits must be observed.