

Toyota RAV4 03/2013-
 Toyota RAV4 10/2015-
 Toyota RAV4 Hybrid 10/2015-

Partnr.: TO-223-DHU

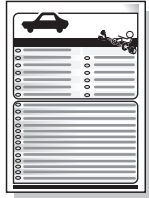
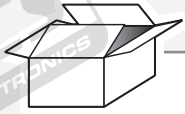
- Fitting instructions electric wiring kit tow bar with 13-P socket up to DIN/ISO Norm 11446.
- We would expressly point out that assembly not carried out properly by a competent installer will result in cancellation of any right to damage compensation, in particular those arising by virtue of the product liability act.
- Contents of these kits and their fitting manuals are subject to alteration without notice, please ensure that these instructions are read and fully understood before commencing installation.
- Do not overload circuits; the maximum loads per connection are detailed in this manual.
- Attention! Before Installation, please read this manual carefully and inform your customer to consult the vehicle owners manual to check for any vehicle modifications required before towing.
- In the event of functional problems, troubleshooting must be limited to about 0.5 hours, contact the technical support:
t.skinner@ecs-electronics.com / 07440 202 052.

TECHNICAL SUPPORT

CALL 07440 202 052

ECS ELECTRONICS
 MONDAY TO FRIDAY
 08.00 - 11.00 am
 12.00 - 05.00 pm
t.skinner@ecs-electronics.com
www.ecs-electronicsuk.co.uk

Part list



L4

L2

* OPTION +15

X



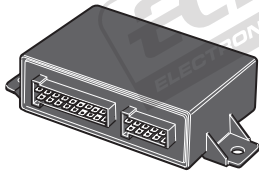
B

L1

G

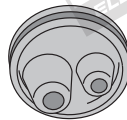
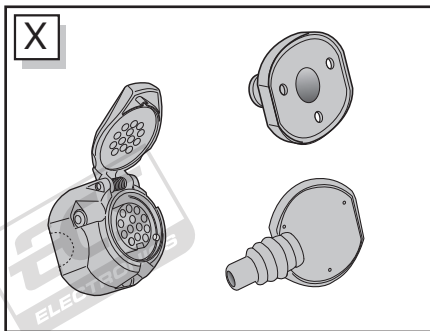
B

M



M

X

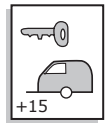


T

3x

6x

* OPTION +15 preparation for



+15

Red



* OPTION P.D.C.

PARK DISTANCE CONTROL



PARK DISTANCE CONTROL



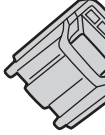
3x



Pag. 11



3x



1x

L3



6x



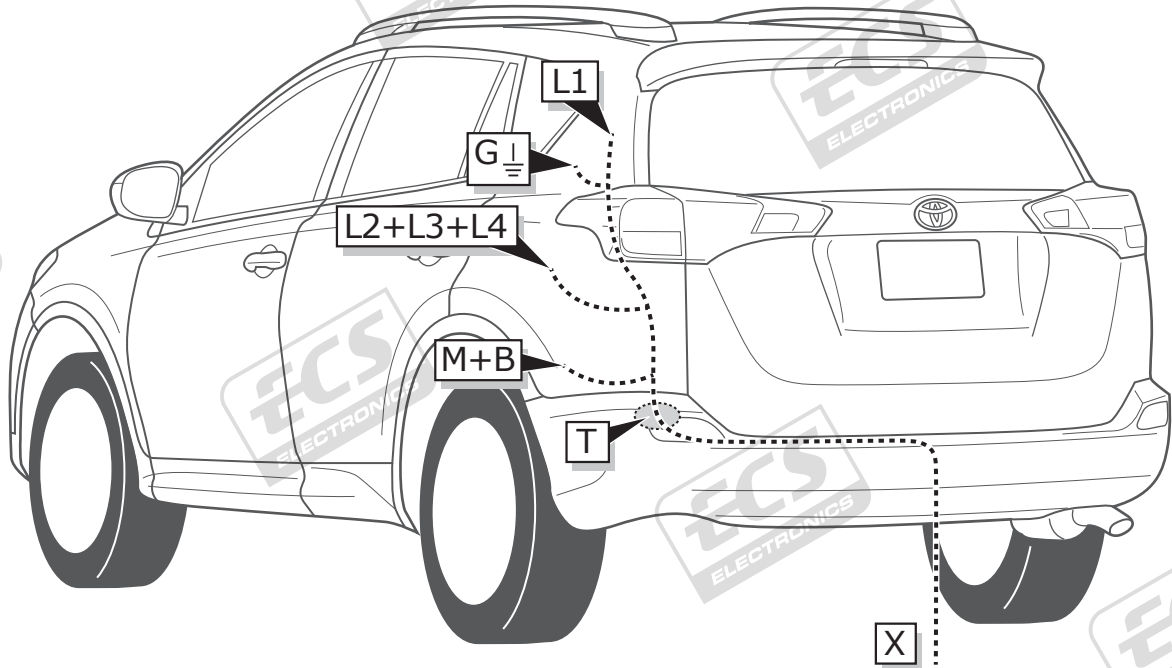
3x



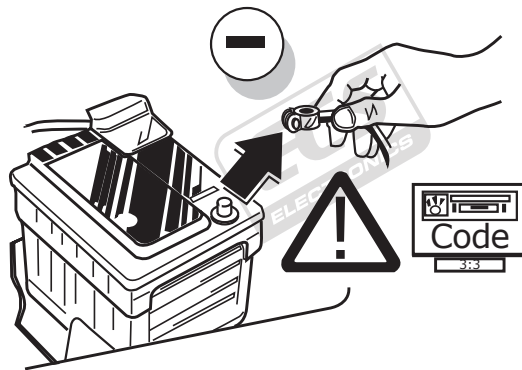
2x

15 Amp. LowProf mini

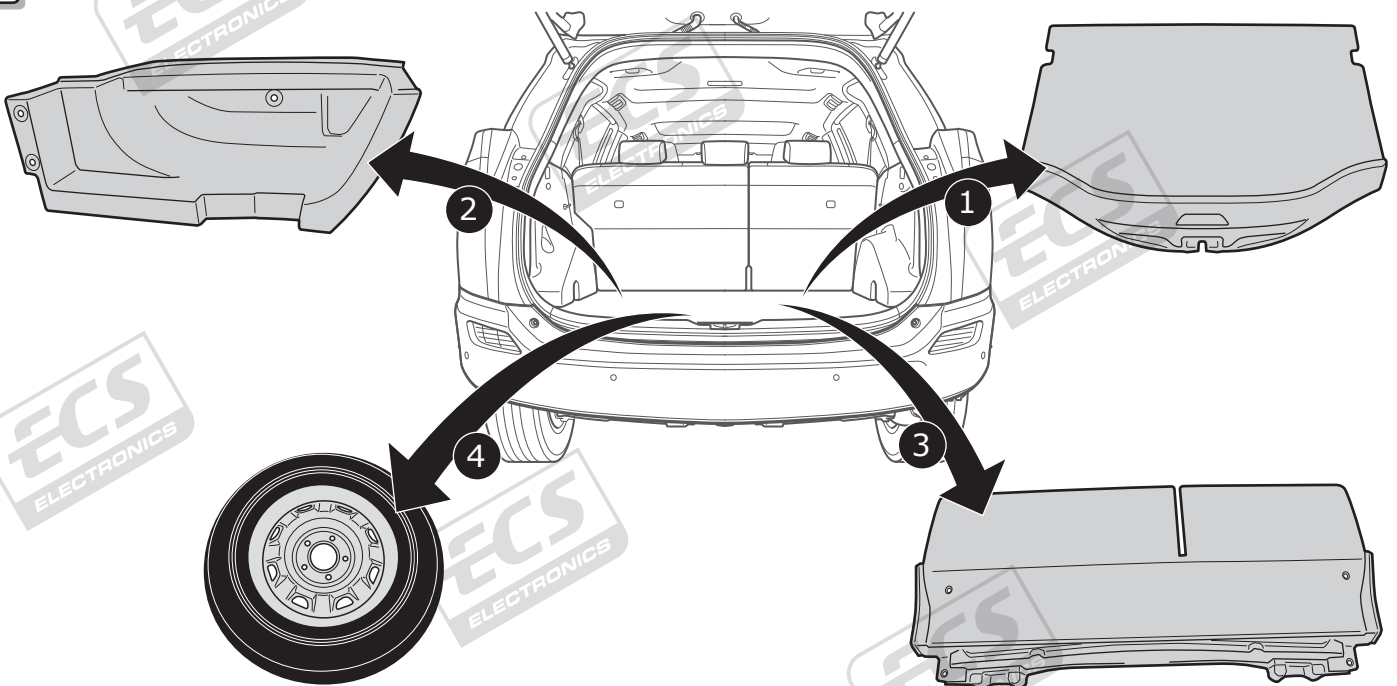
ROUTING



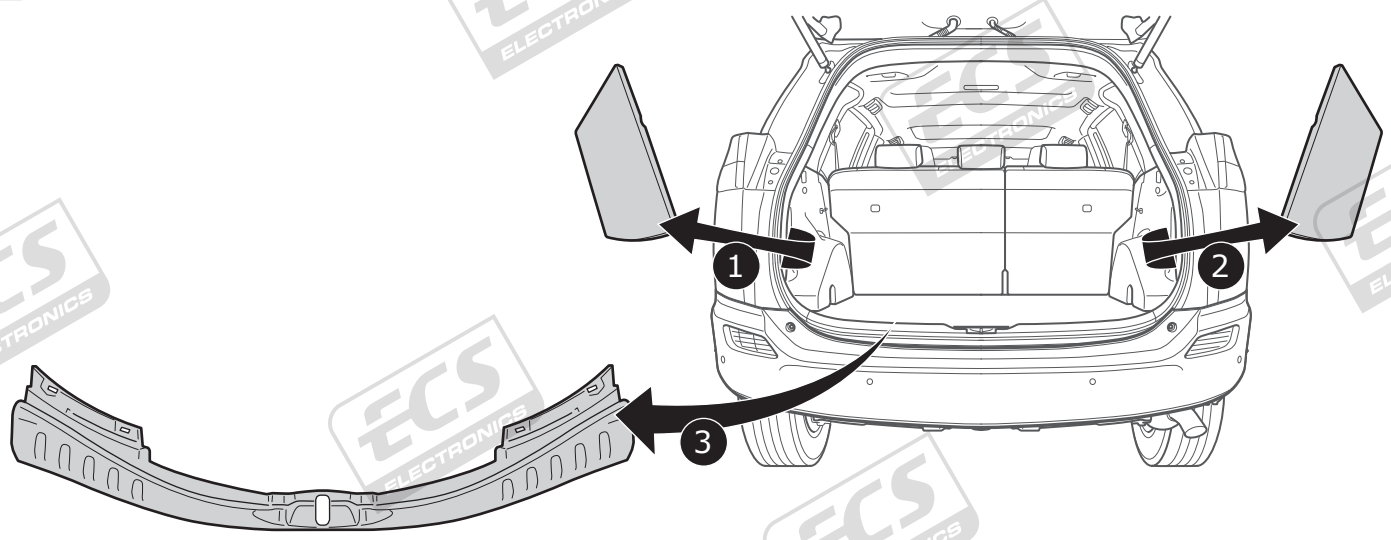
1



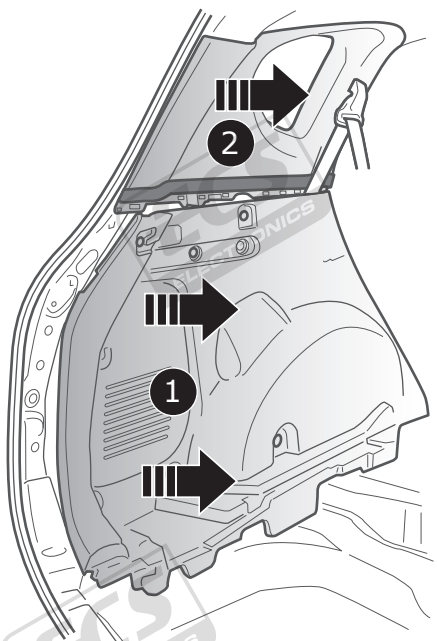
2



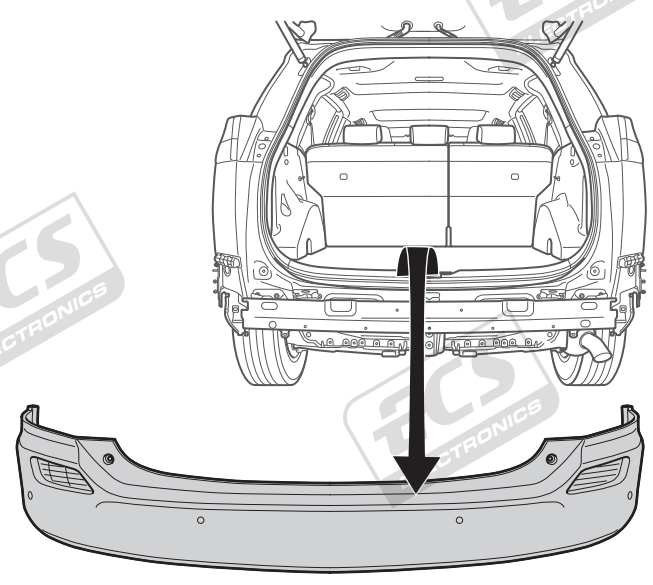
3



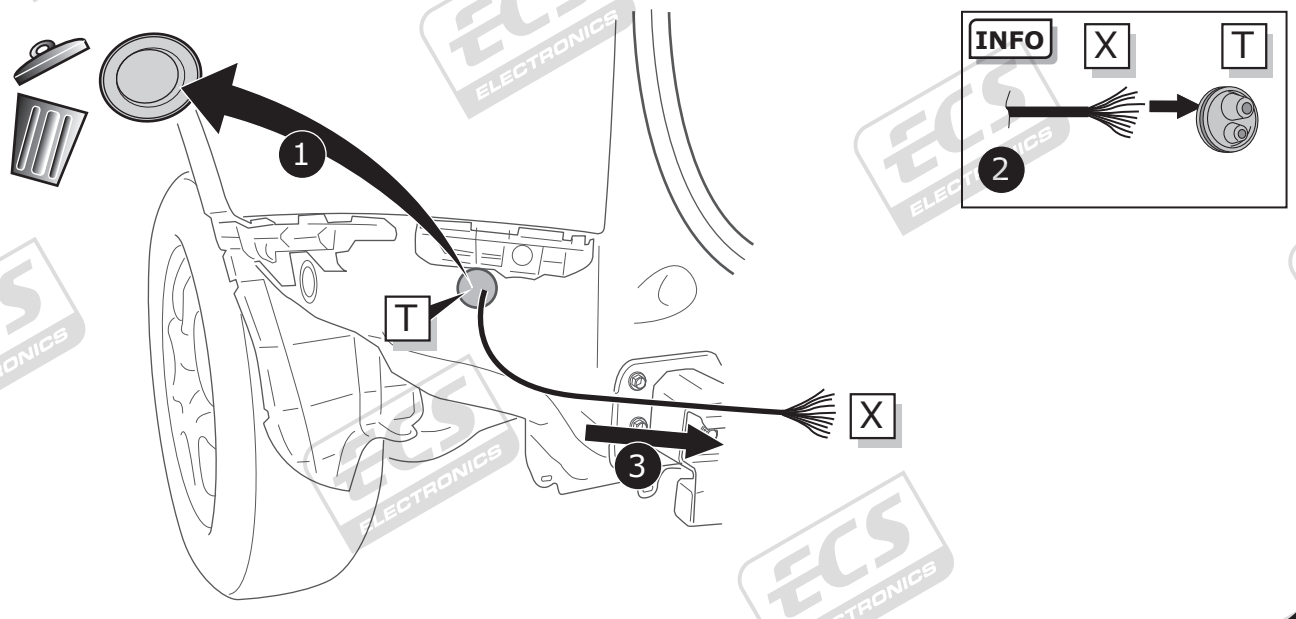
4

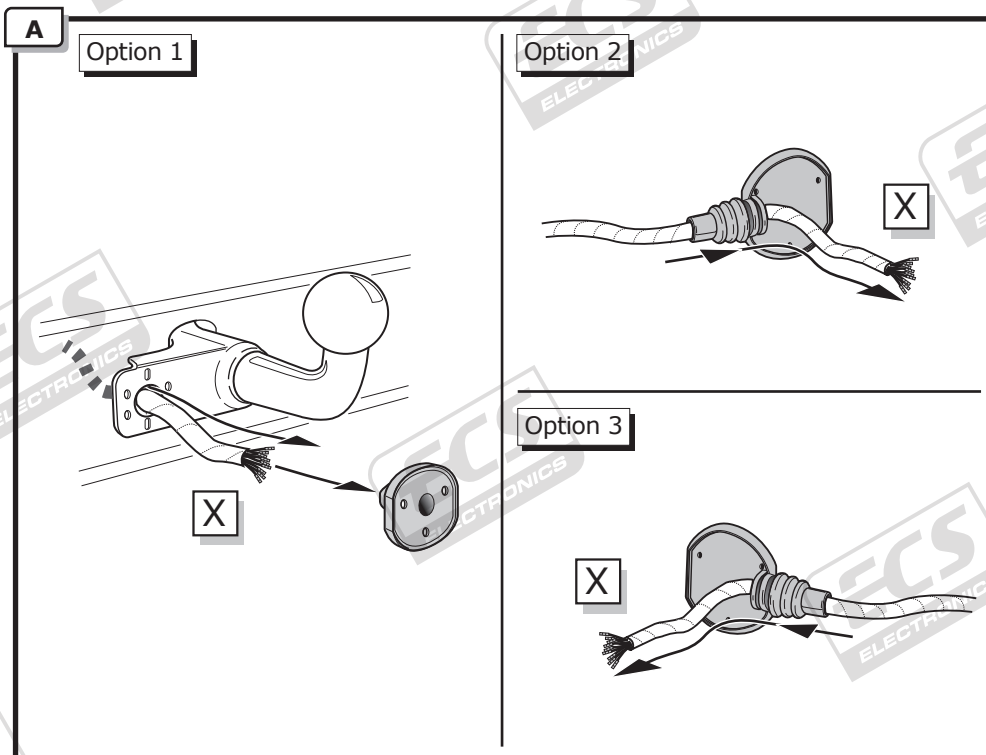


5



6

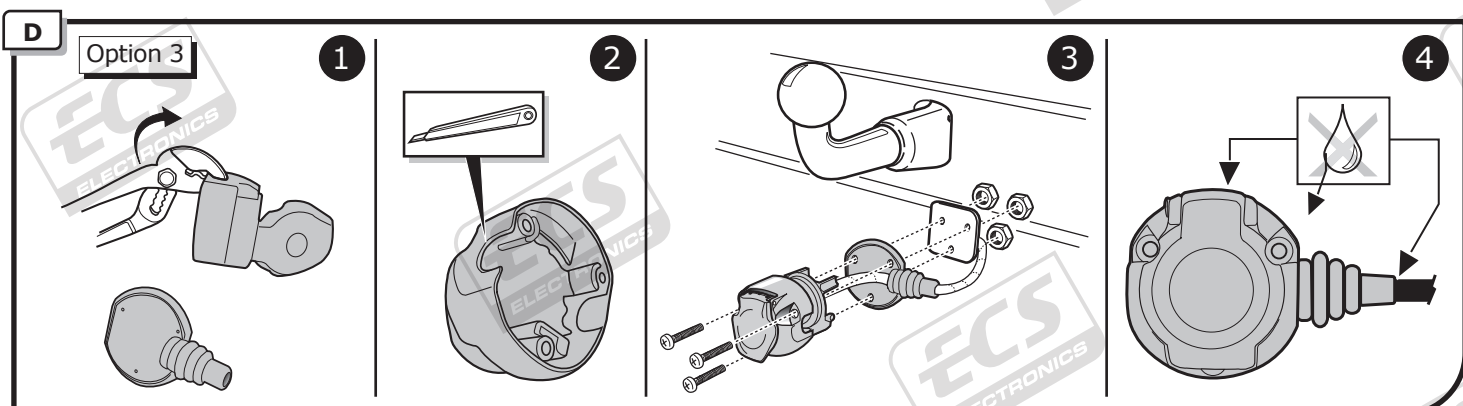
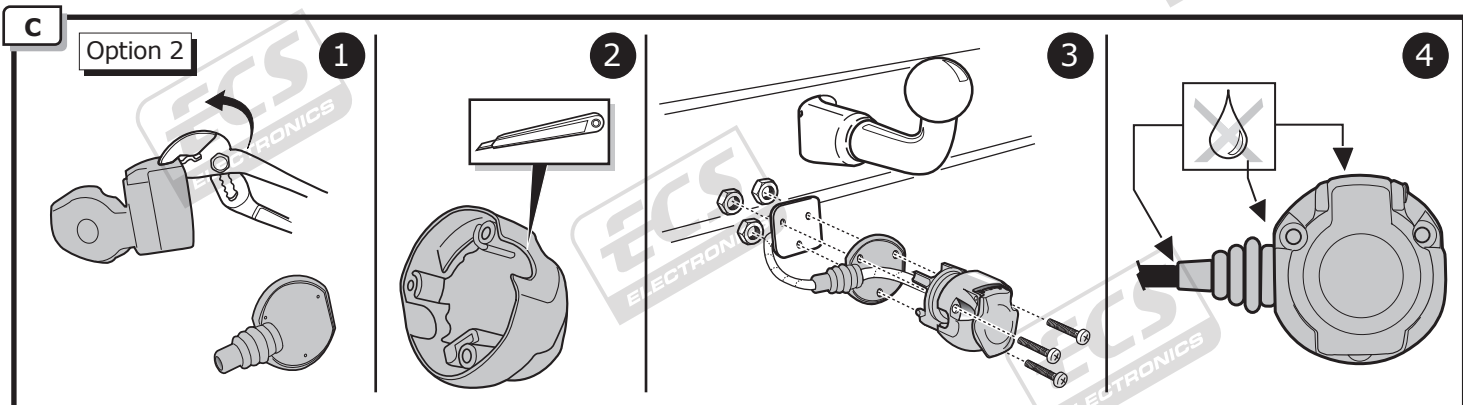
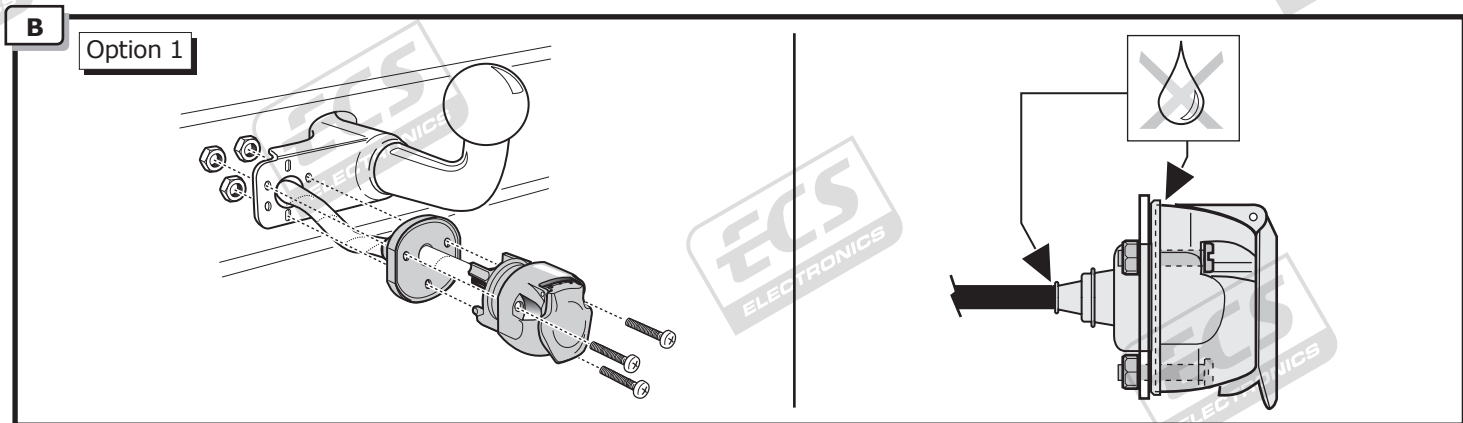




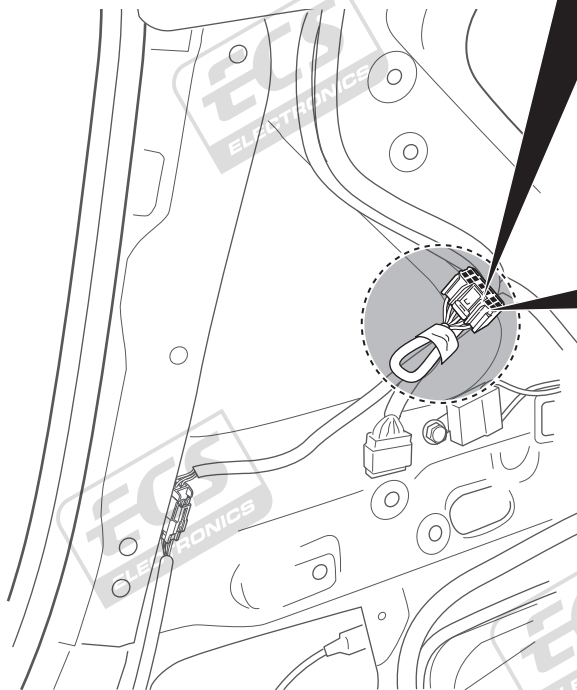
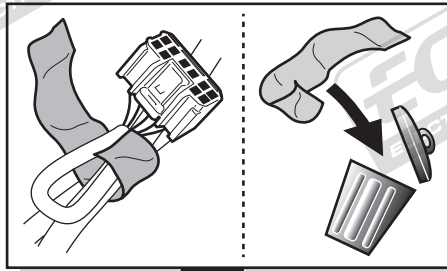
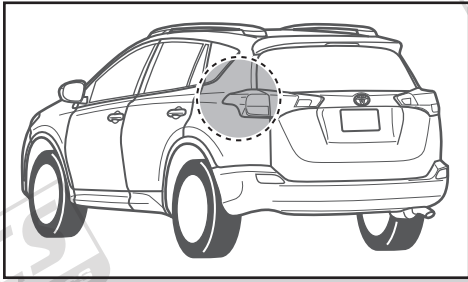
INFO

SOCKET CONNECTION

Pag. 10

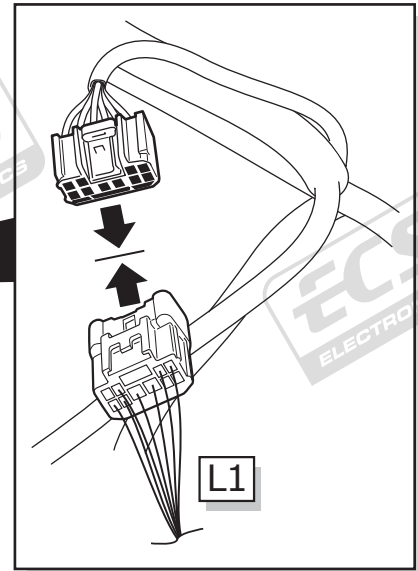


7

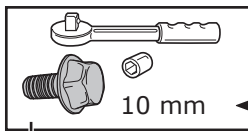
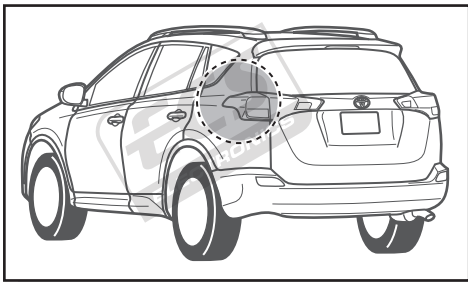


1

2



8

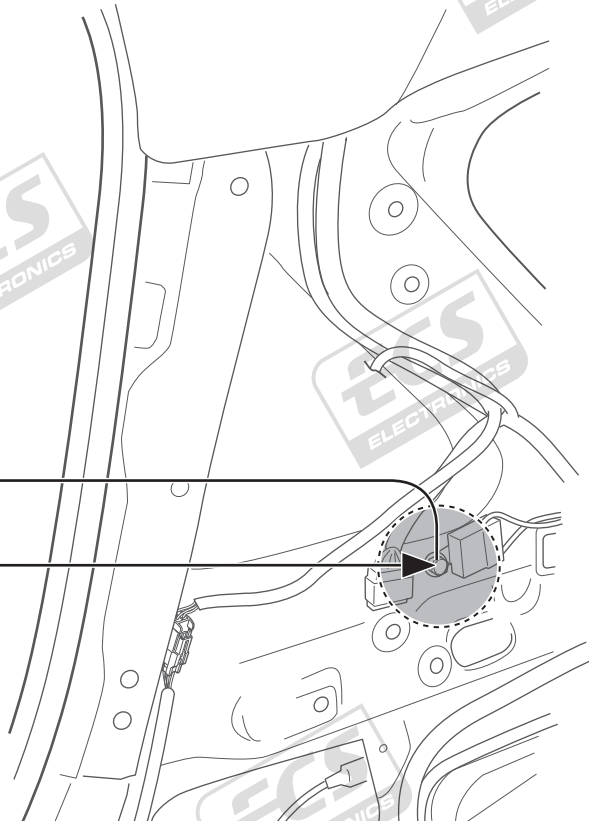


10 mm

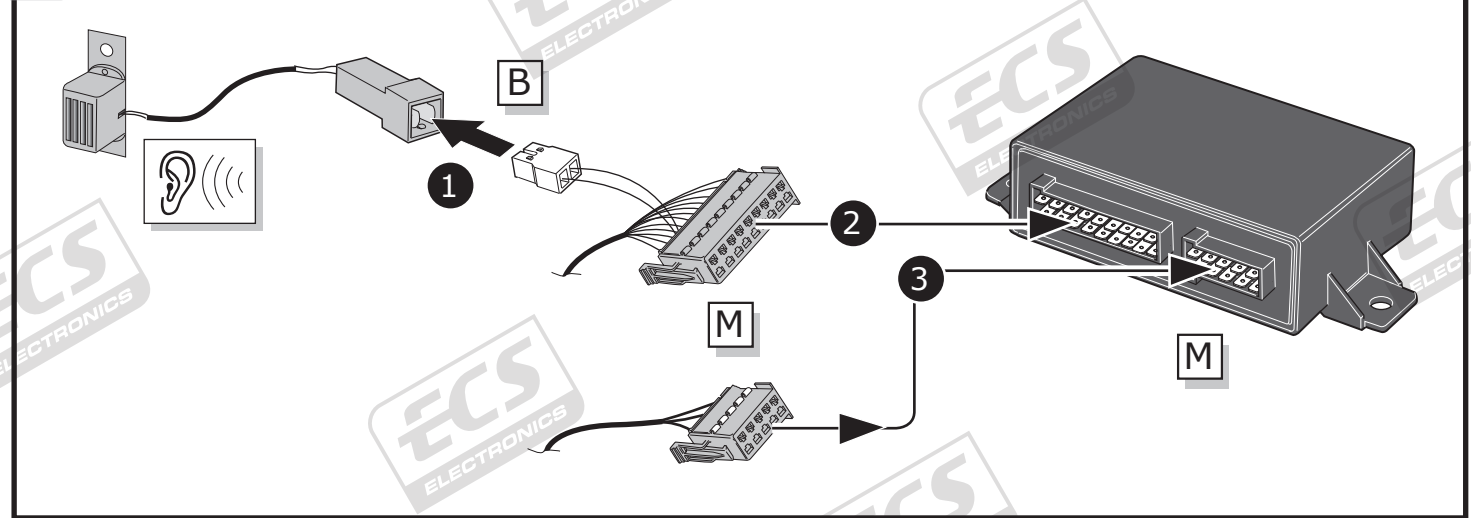
1



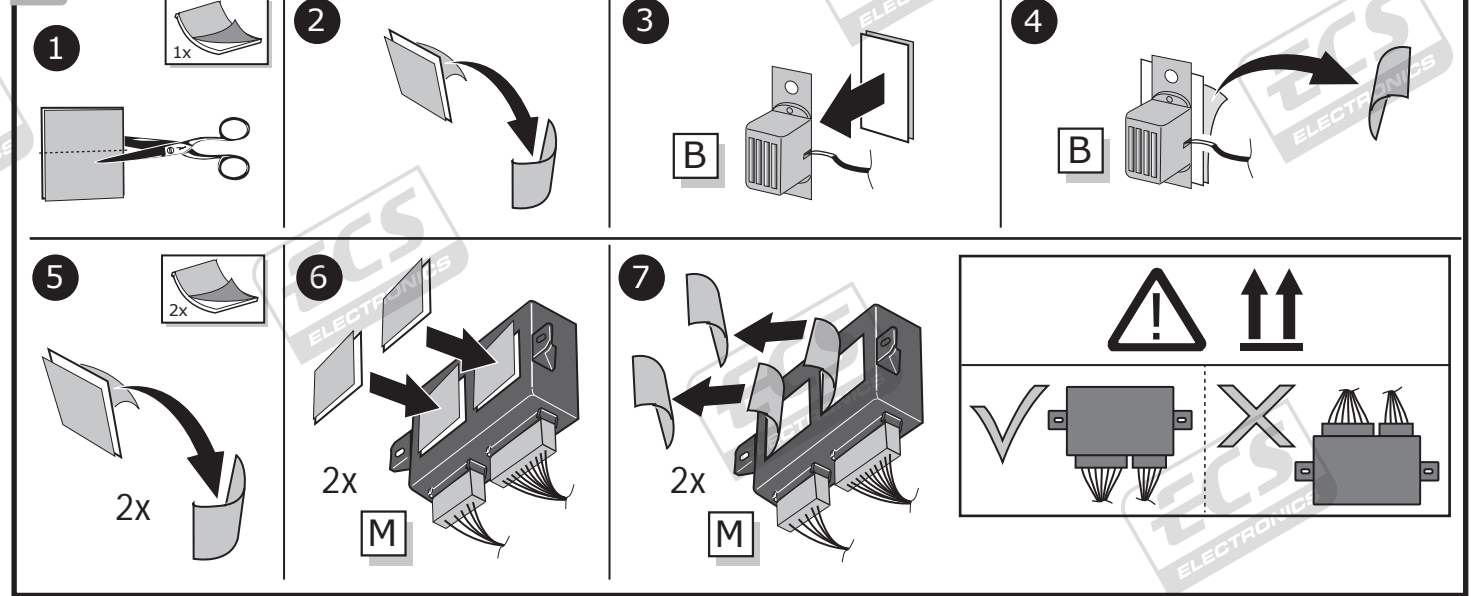
2



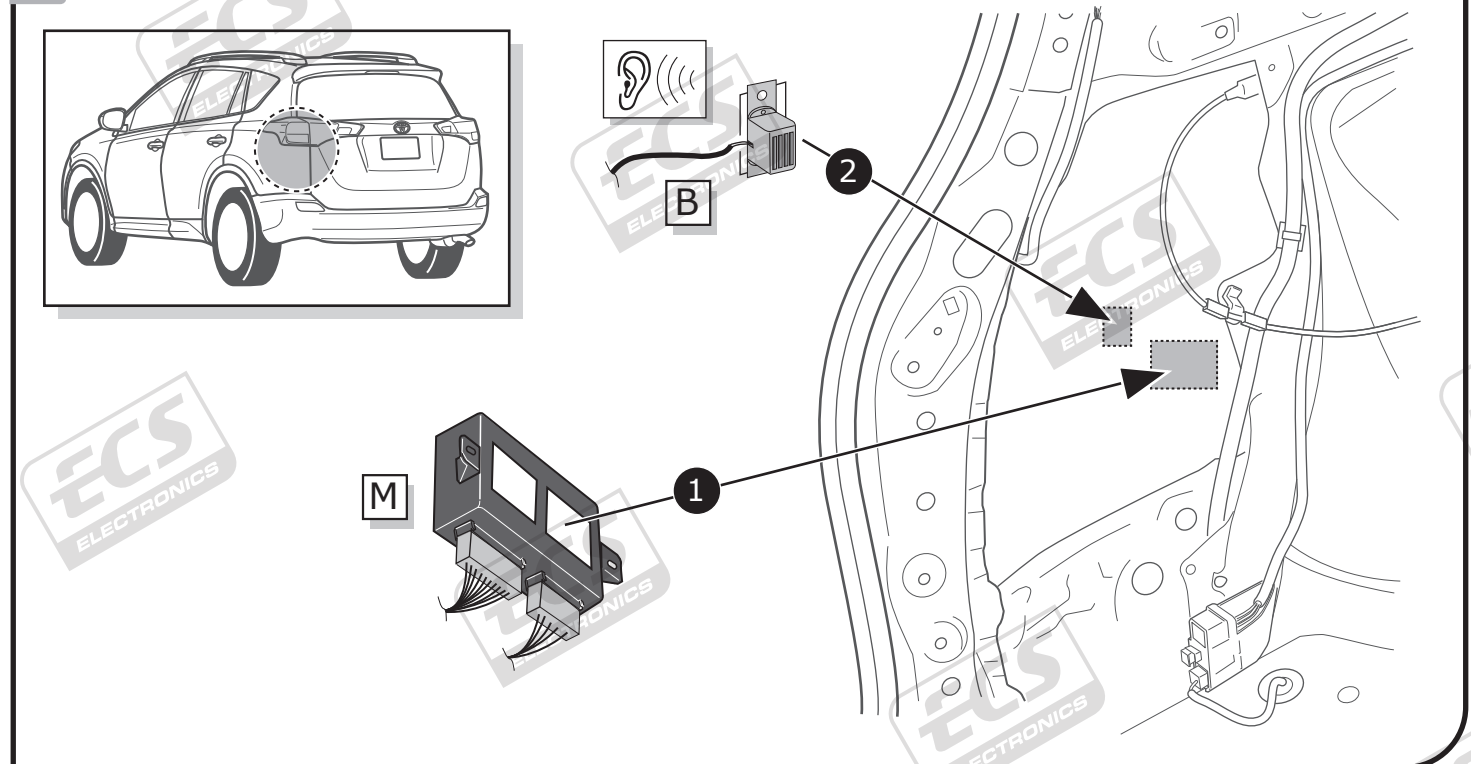
9

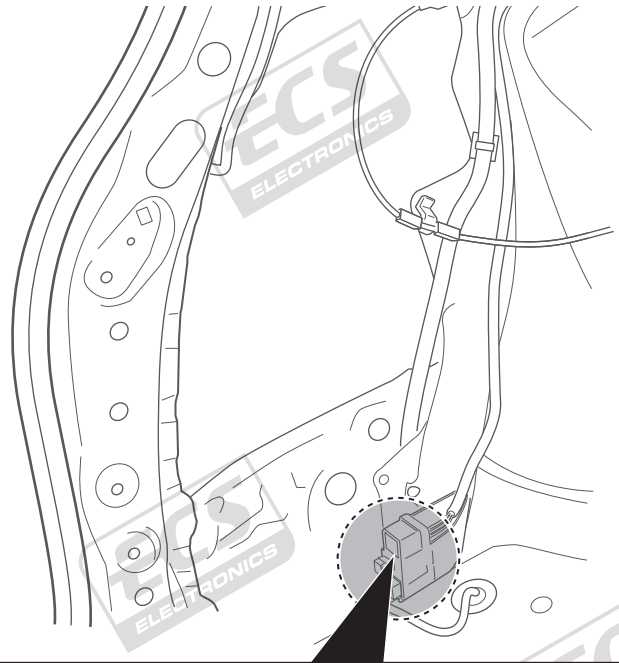
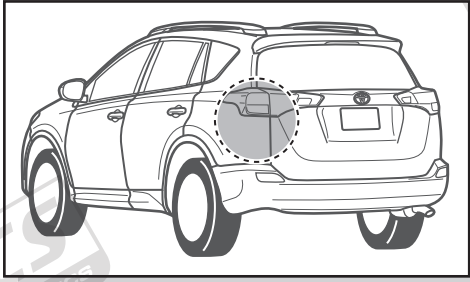


10



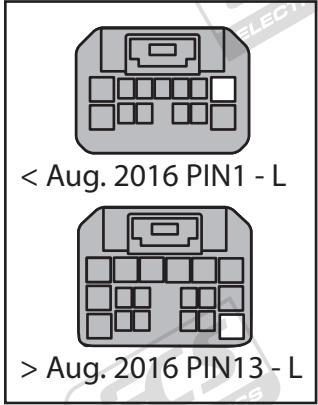
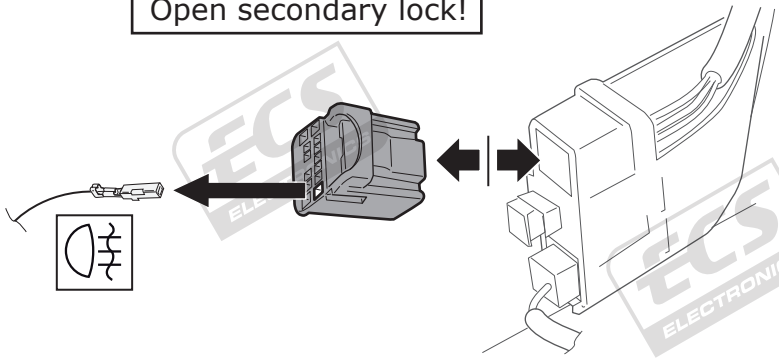
11





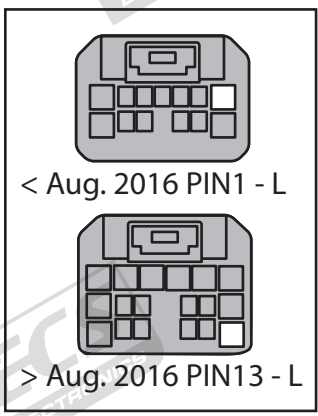
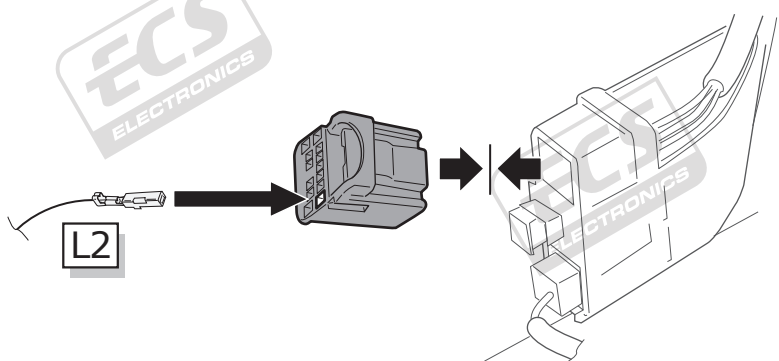
1

Open secondary lock!

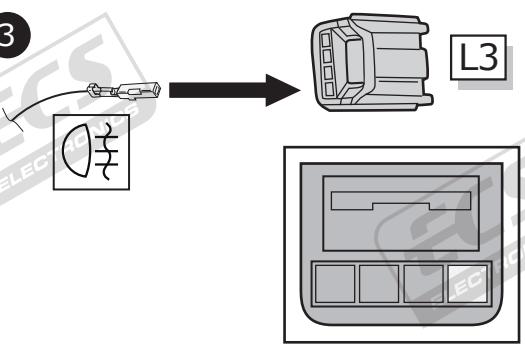


2

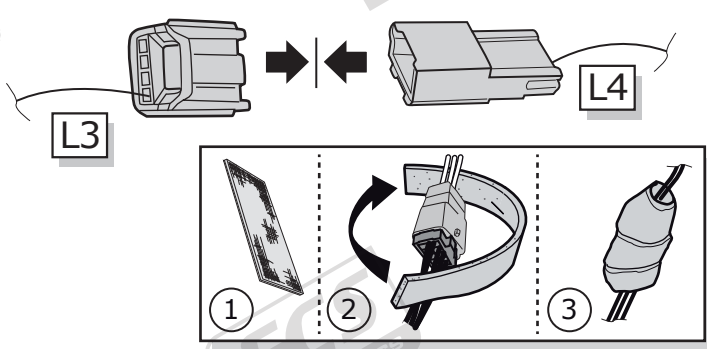
Close secondary lock!



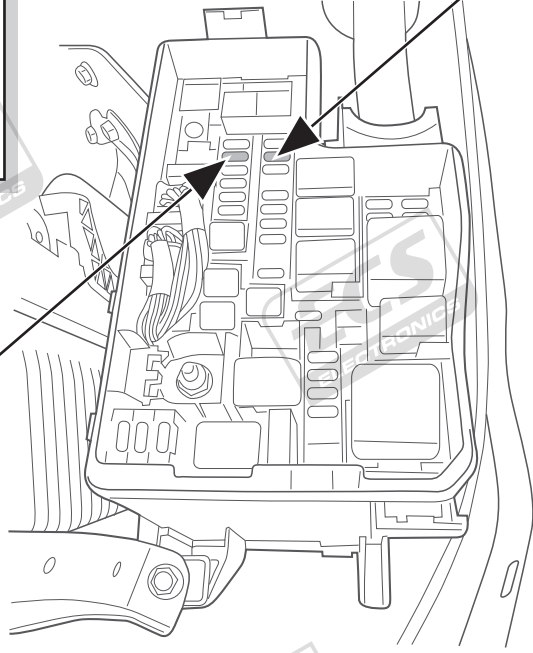
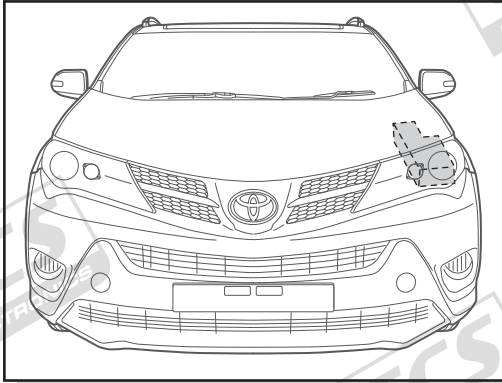
3



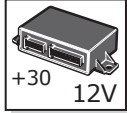
4



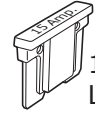
13



Option Hybrid: Towing

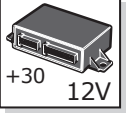


+30 12V

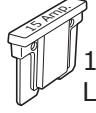


15 Amp.
LowProf mini

Option Towing-B

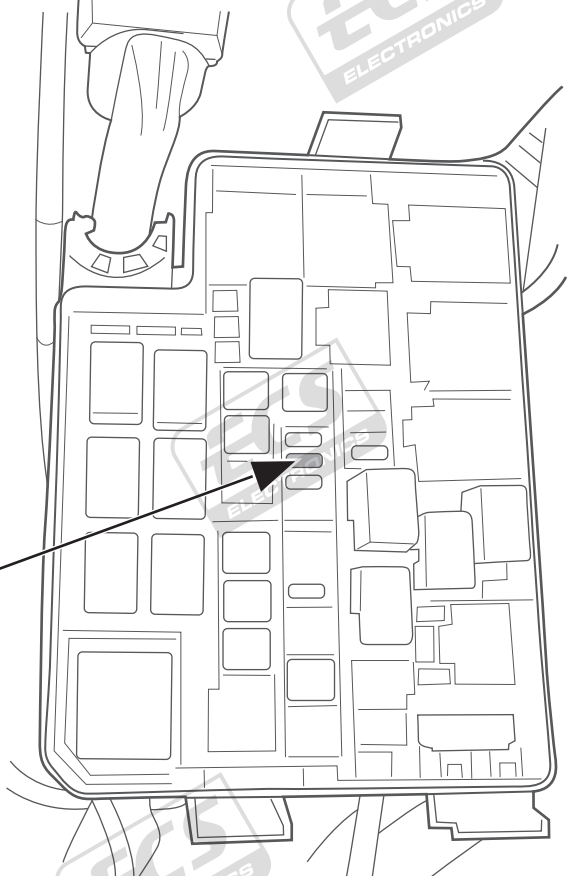
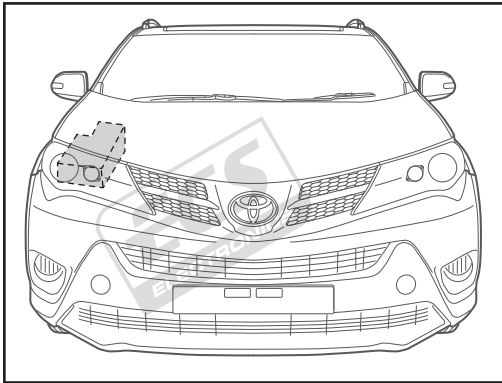


+30 12V

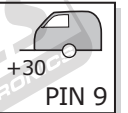


15 Amp.
LowProf mini

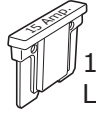
14



Towing ALT

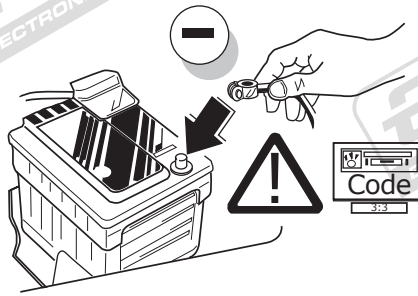


+30
PIN 9



15 Amp.
LowProf mini

15



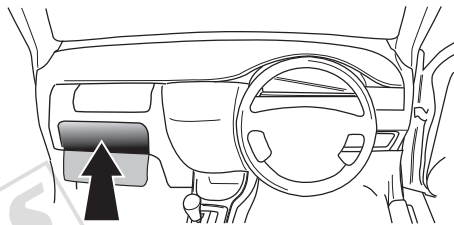
16

TEST ALL THE CIRCUITS WITH A TEST DEVICE WITH THE CORRECT POWER LOAD FOR EACH FUNCTION. A TEST DEVICE WITH LED'S CANNOT BE USED FOR THIS PURPOSE.

INFO

REINSTALL TRIM.

17



User guide



INFO

SOCKET CONNECTION

DIN/ISO 11446													
Pmax	21W	2x21W		21W	52W	3x21W	52W	2x21W	180W/15Amp	180W/15Amp			
Colour	Yellow	Blue	White	Green	Brown	Red	Black	Black/Red	Brown/White	Red	White	-	White
						1,00 mm ²				2,50 mm ²			

