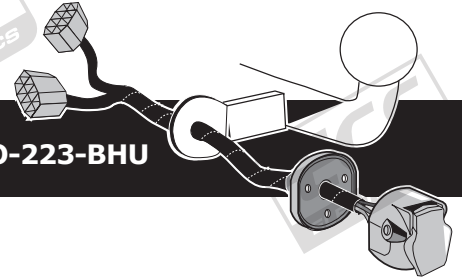


Toyota RAV4 03/2013-
Toyota RAV4 10/2015-
Toyota RAV4 Hybrid 10/2015-

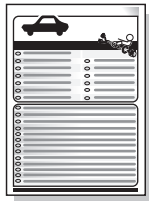
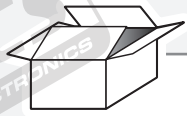
Partnr.: TO-223-BHU



- Fitting instructions electric wiring kit tow bar with 12-N socket up to DIN/ISO Norm 1724.
- We would expressly point out that assembly not carried out properly by a competent installer will result in cancellation of any right to damage compensation, in particular those arising by virtue of the product liability act.
- Contents of these kits and their fitting manuals are subject to alteration without notice, please ensure that these instructions are read and fully understood before commencing installation.
- Do not overload circuits; the maximum loads per connection are detailed in this manual.
- Attention! Before Installation, please read this manual carefully and inform your customer to consult the vehicle owners manual to check for any vehicle modifications required before towing.
- In the event of functional problems, troubleshooting must be limited to about 0.5 hours, contact the technical support:
t.skinner@ecs-electronics.com / 07440 202 052.



Part list



L4

L2

X



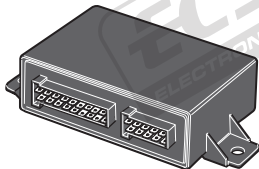
B

L1

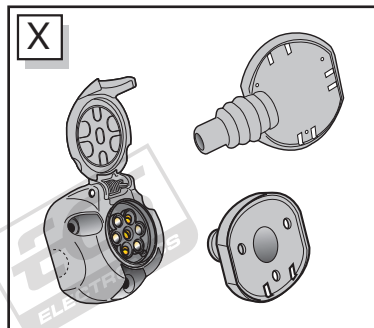
G

B

M



M



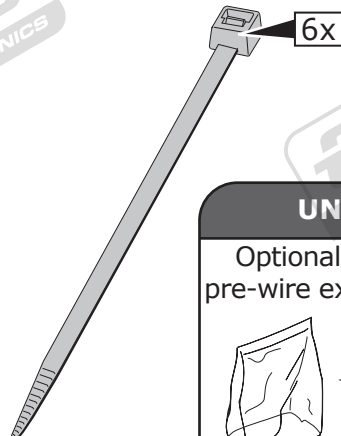
X



3x



T



6x

UN-243-YZ

Optional reverse lamp pre-wire extension included



Pag. 12



* OPTION P.D.C.

PARK DISTANCE CONTROL



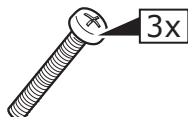
PARK DISTANCE CONTROL



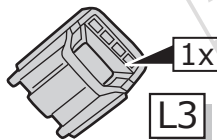
3x



Pag. 11



3x



1x

L3

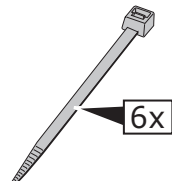


3x



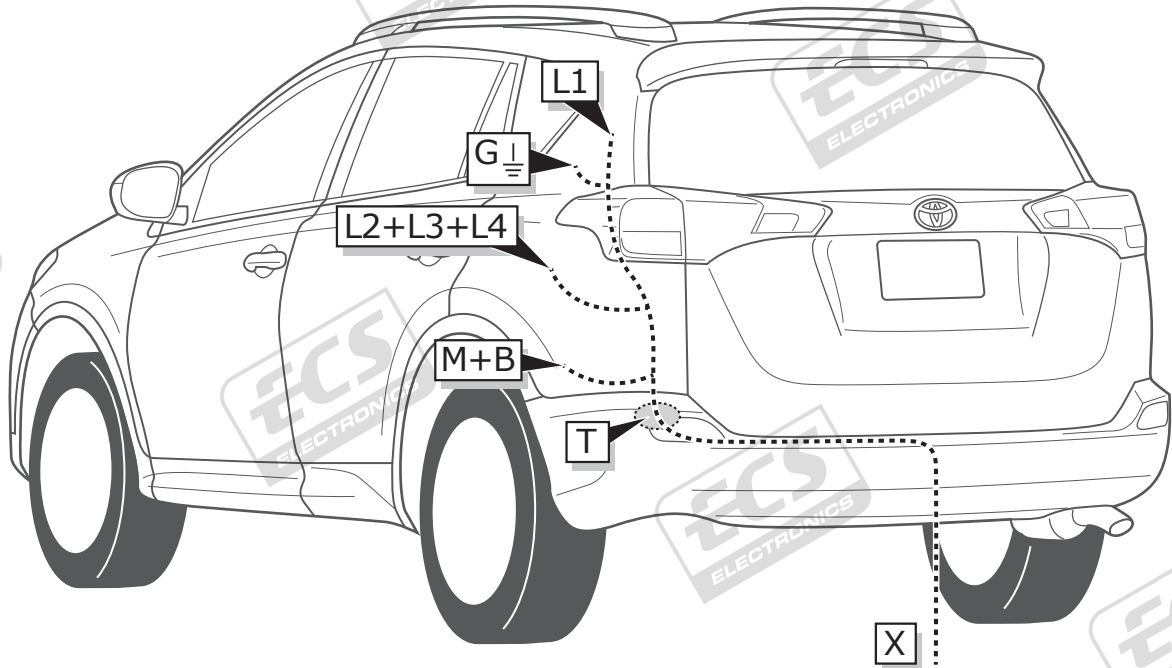
1x

15 Amp. LowProf mini

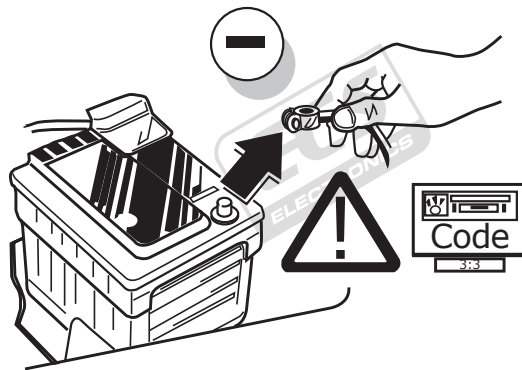


6x

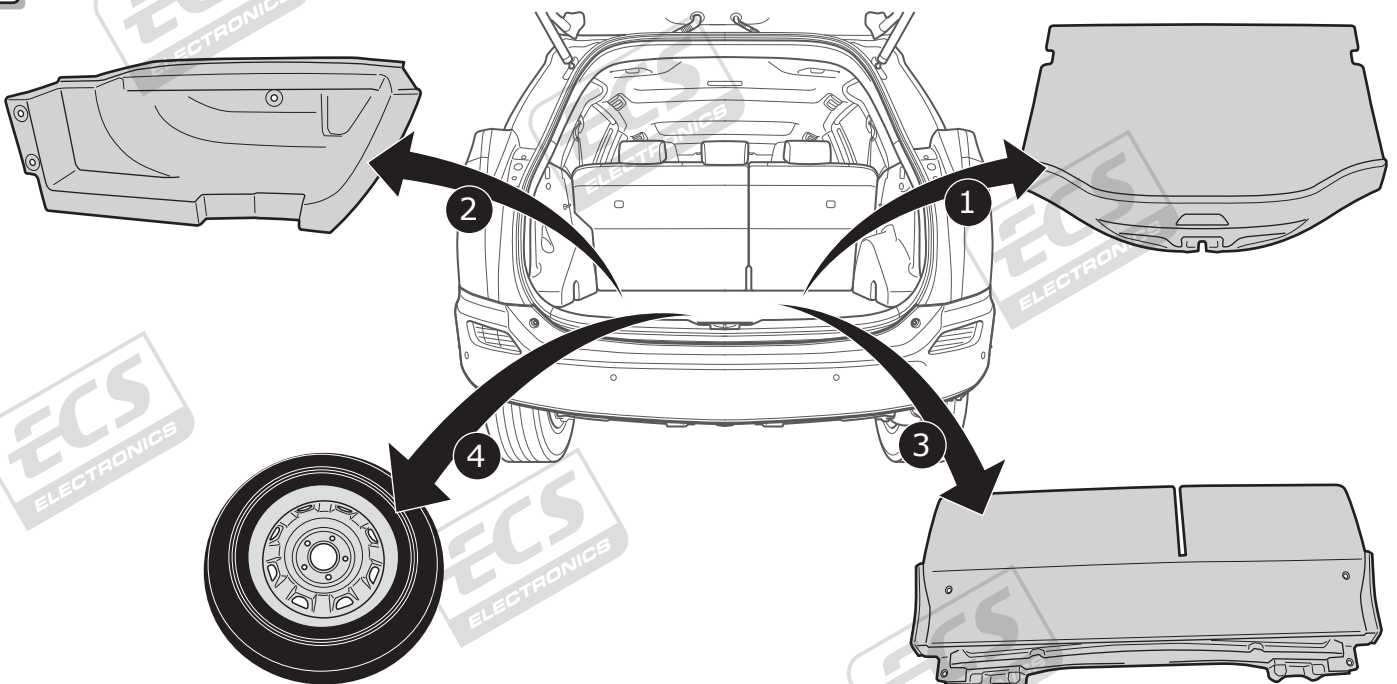
ROUTING



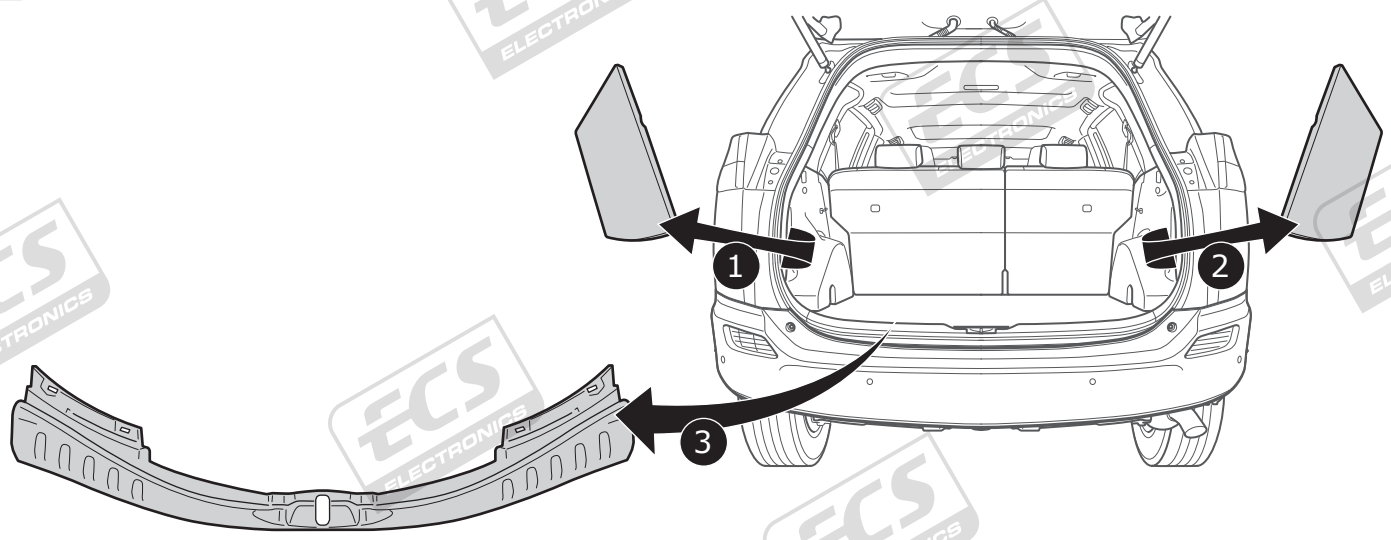
1



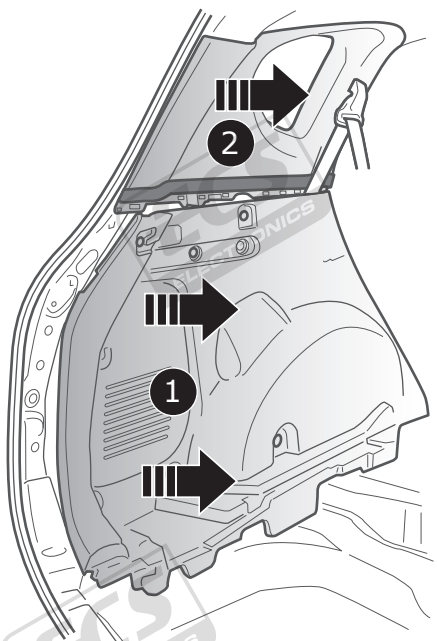
2



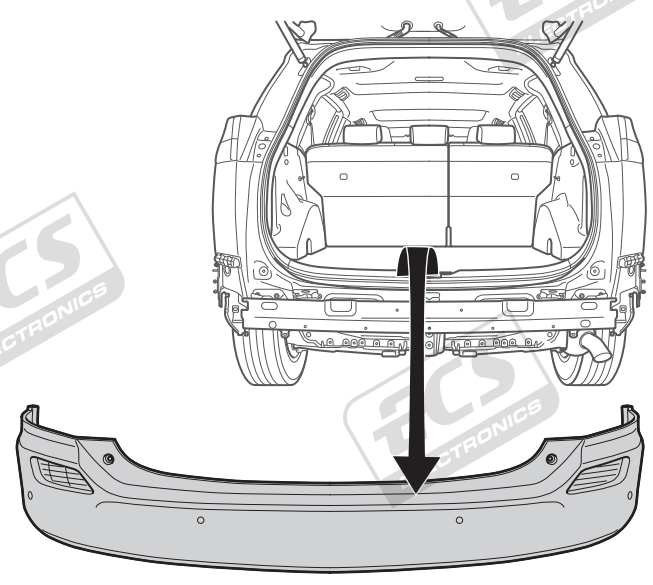
3



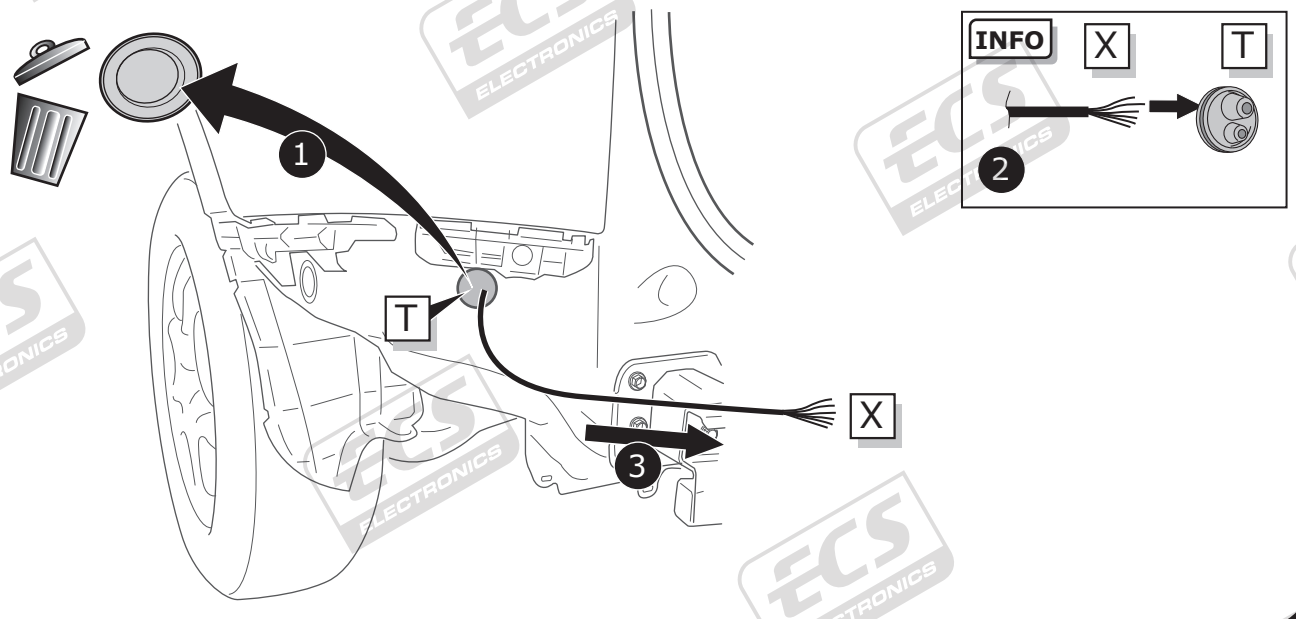
4

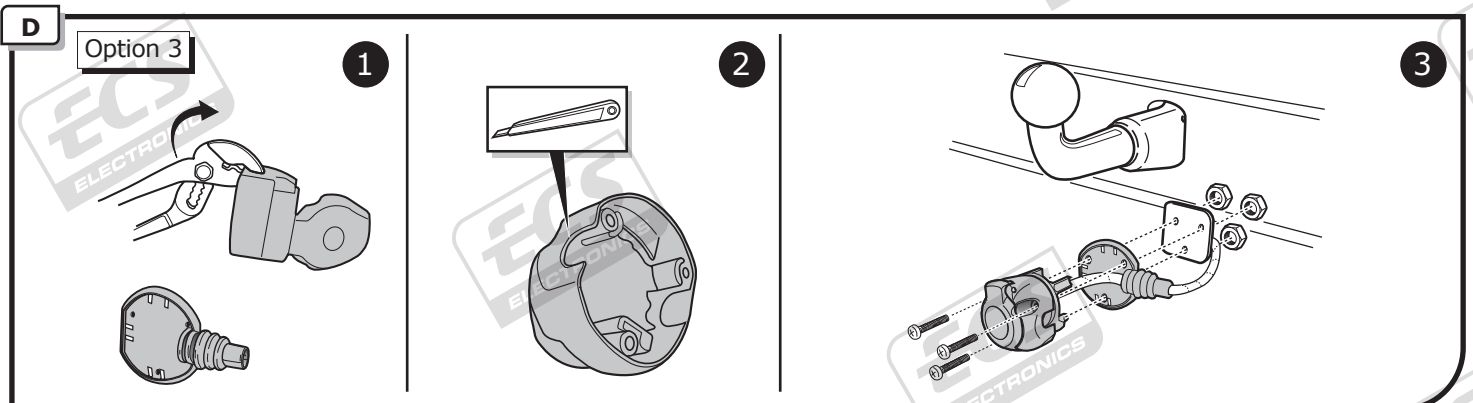
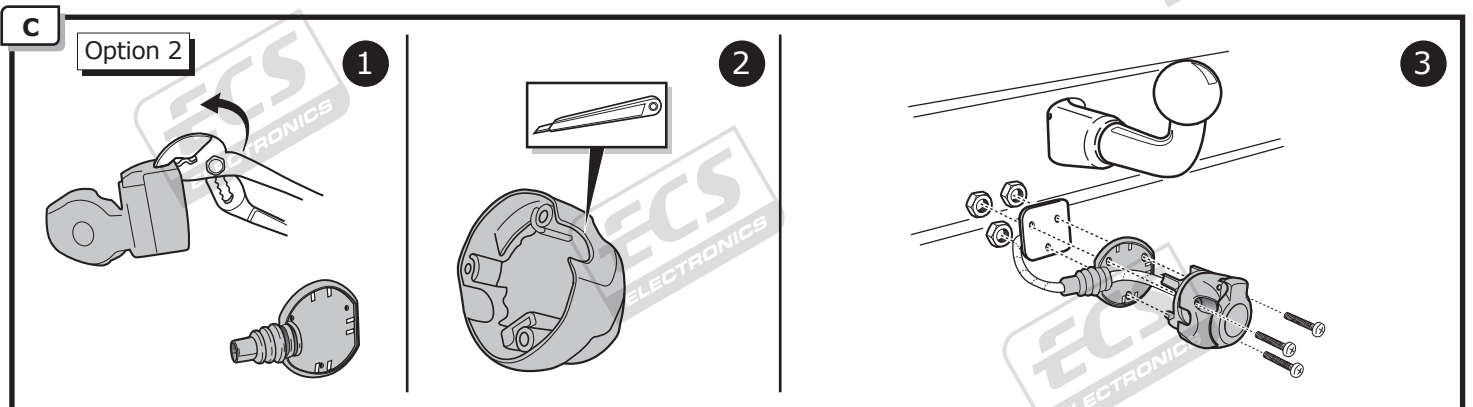
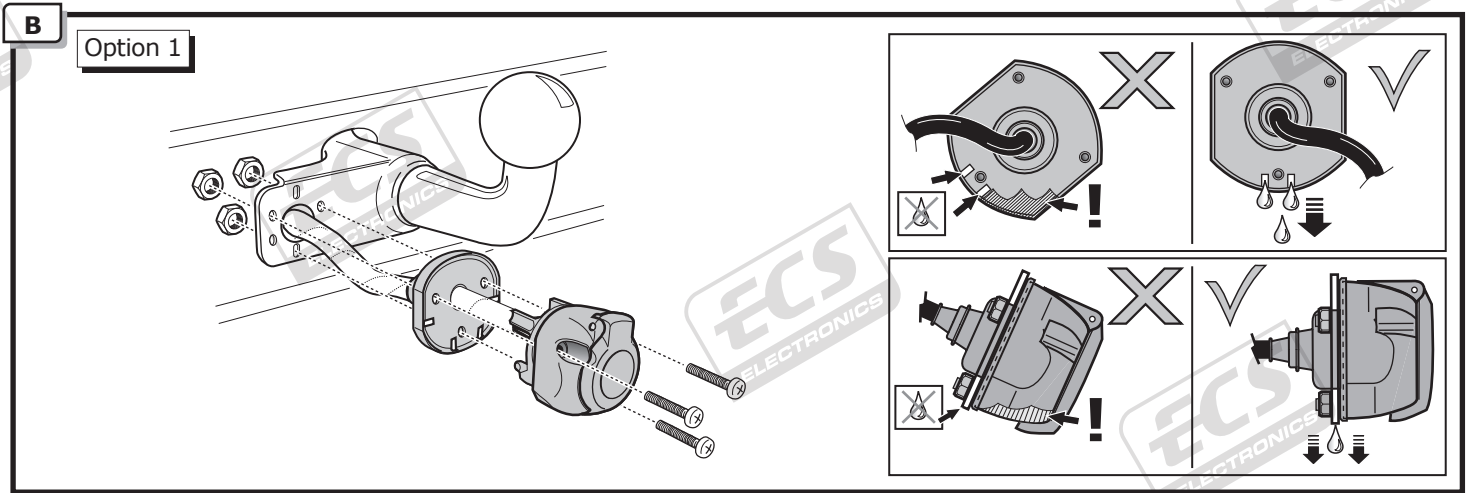
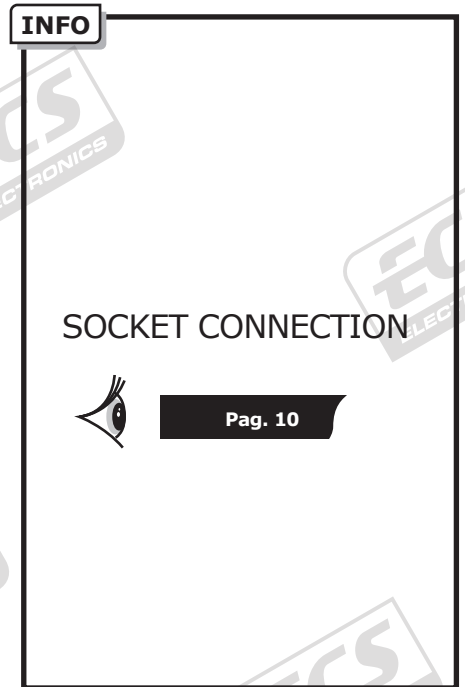
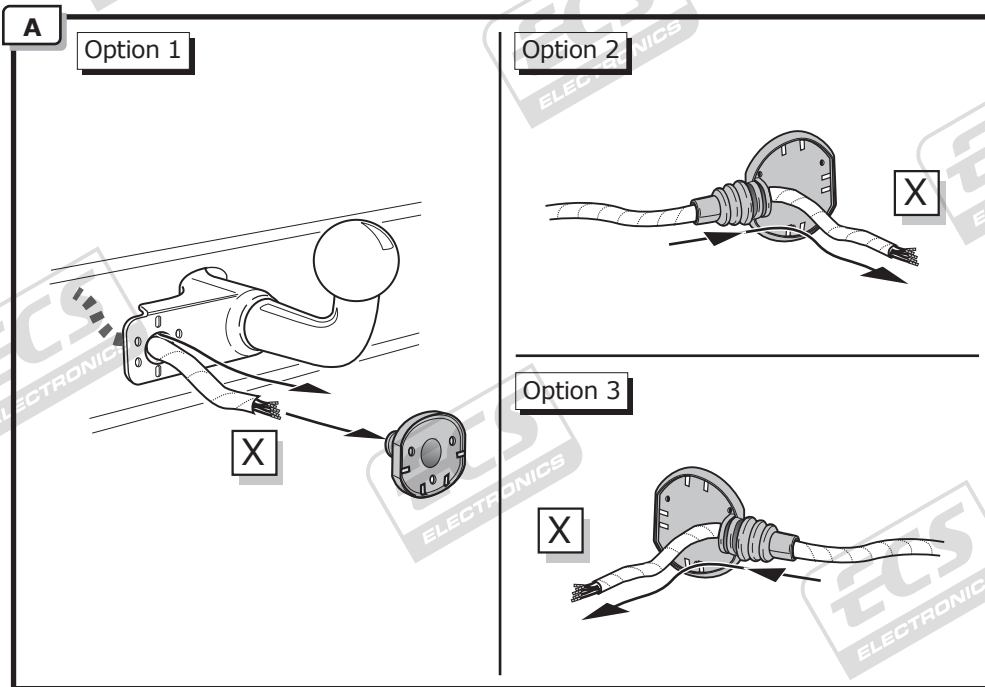


5

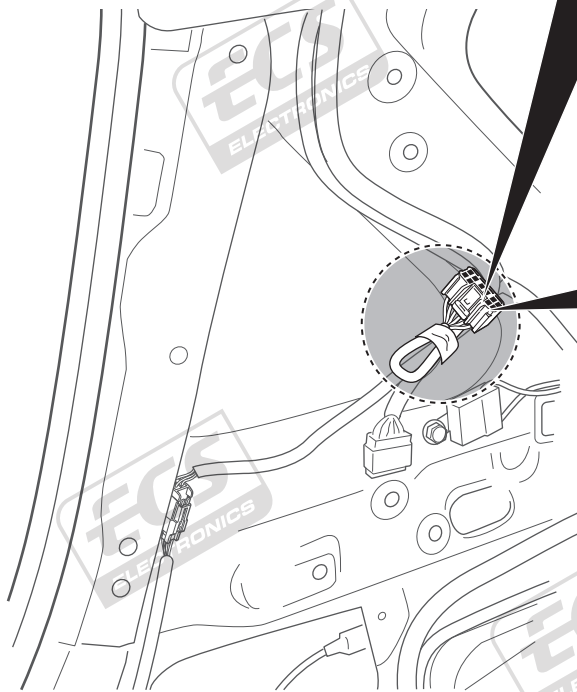
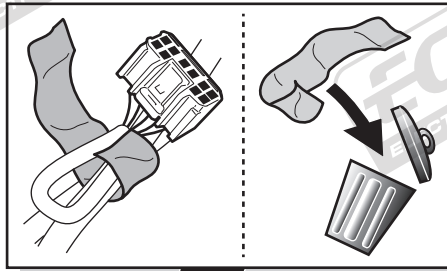
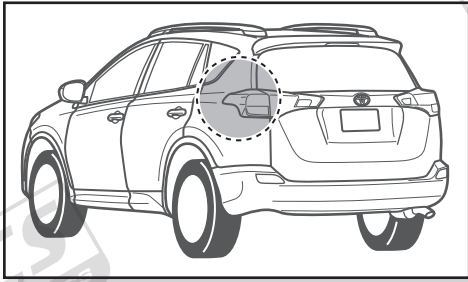


6



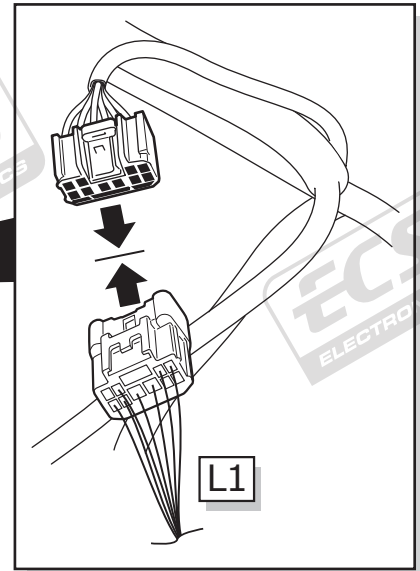


7

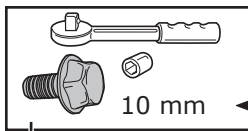
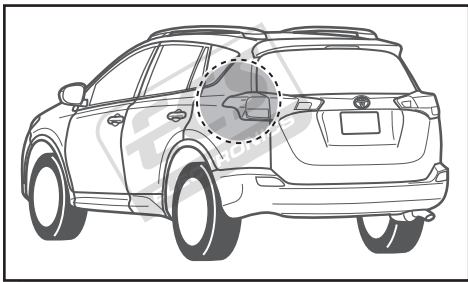


1

2



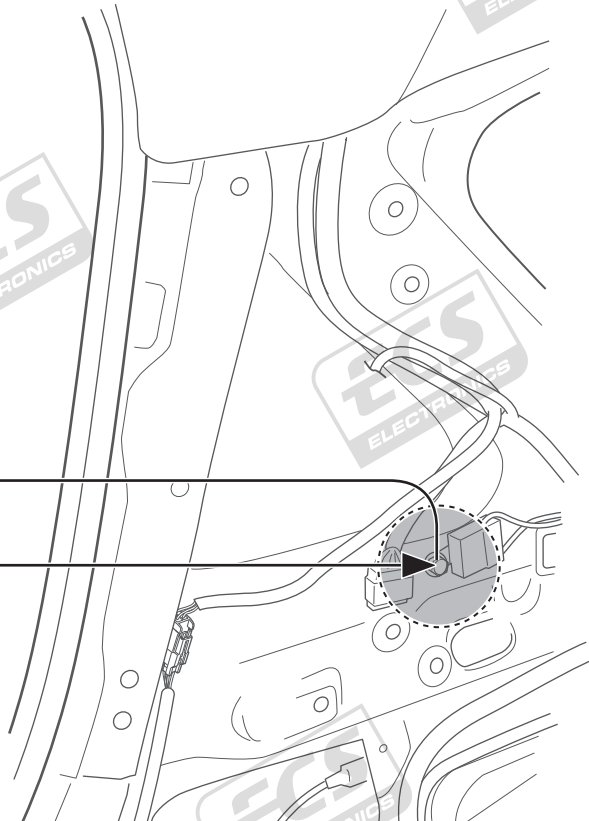
8



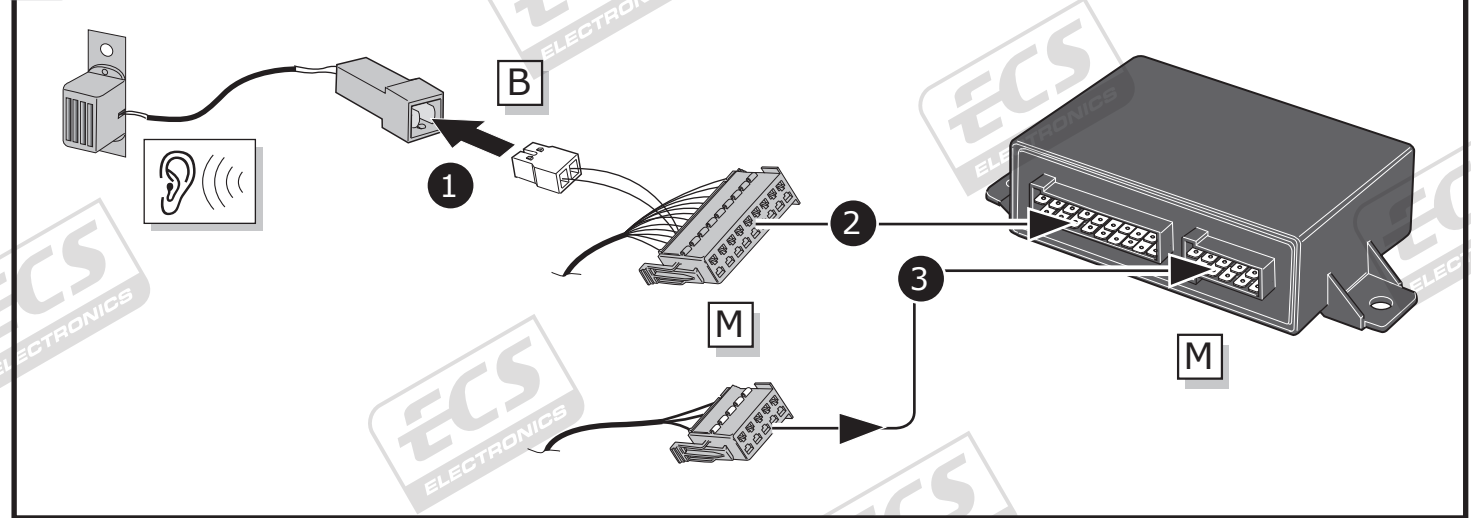
10 mm

1

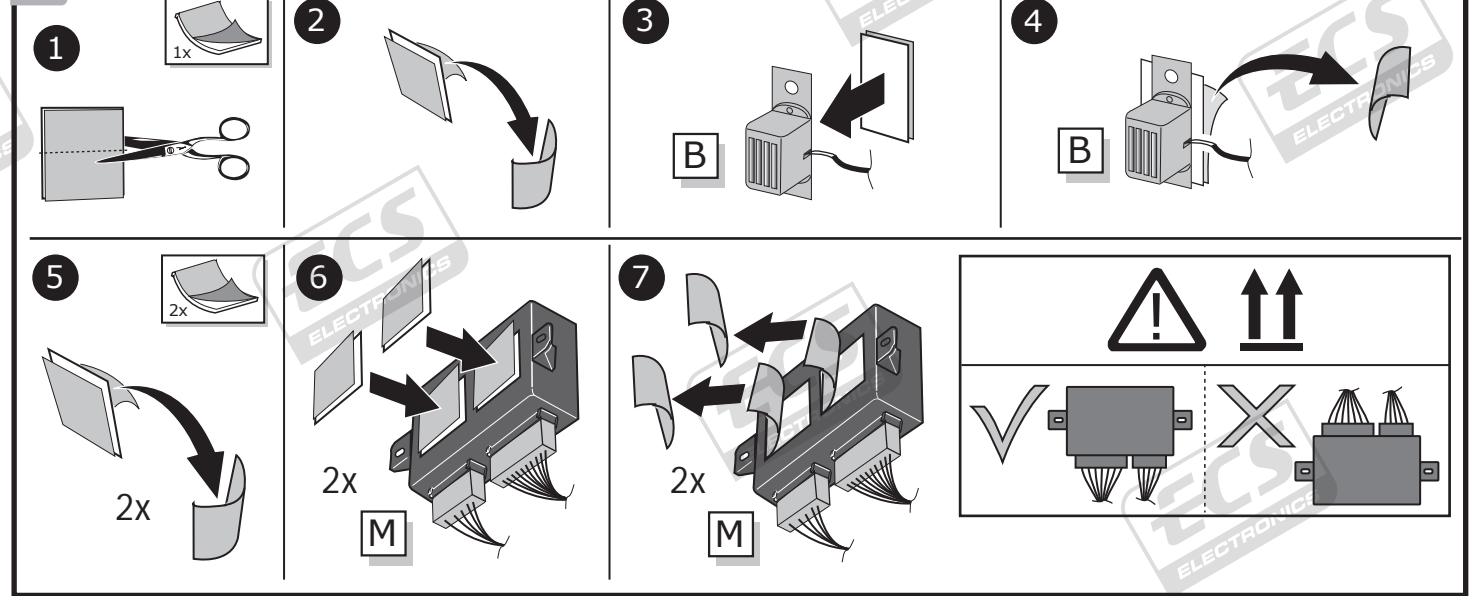
2



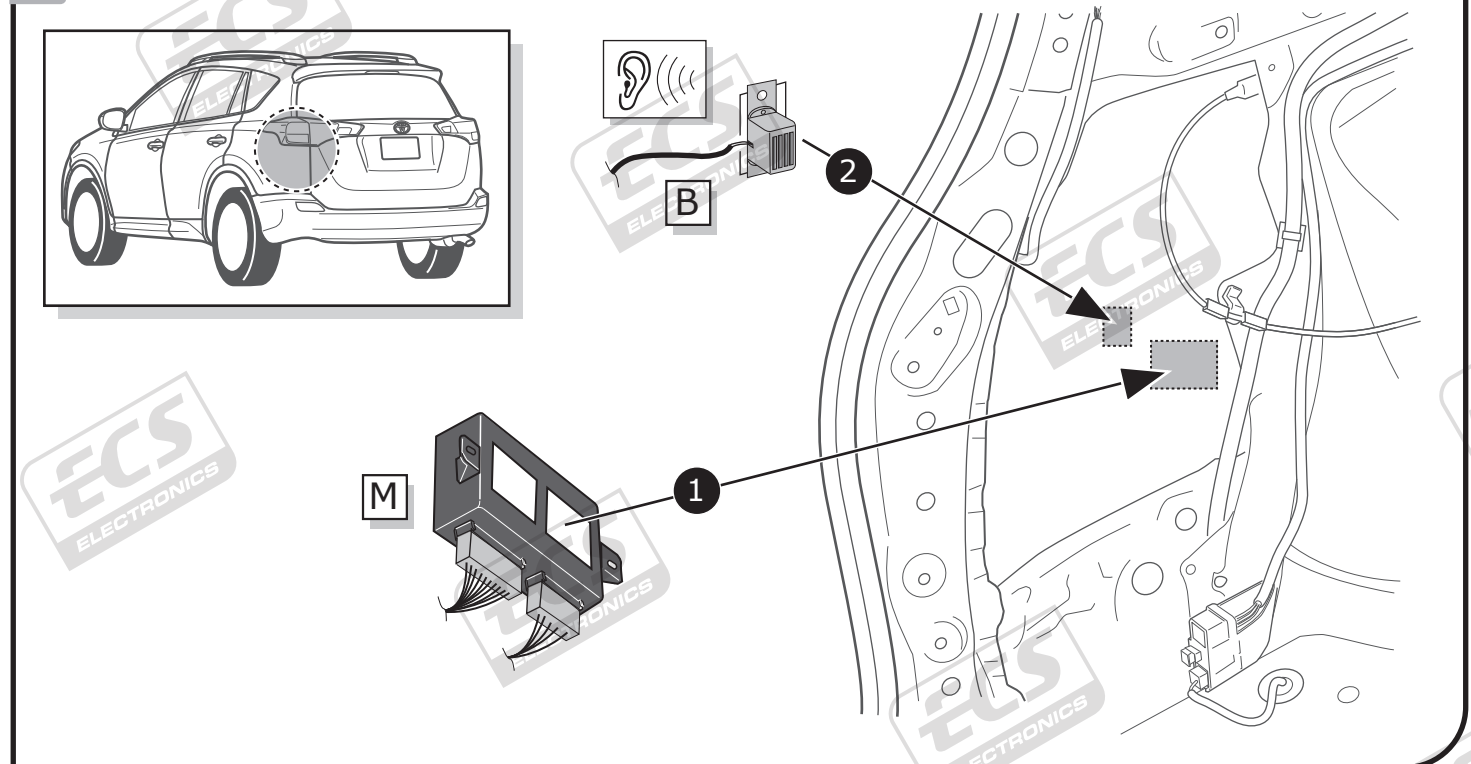
9

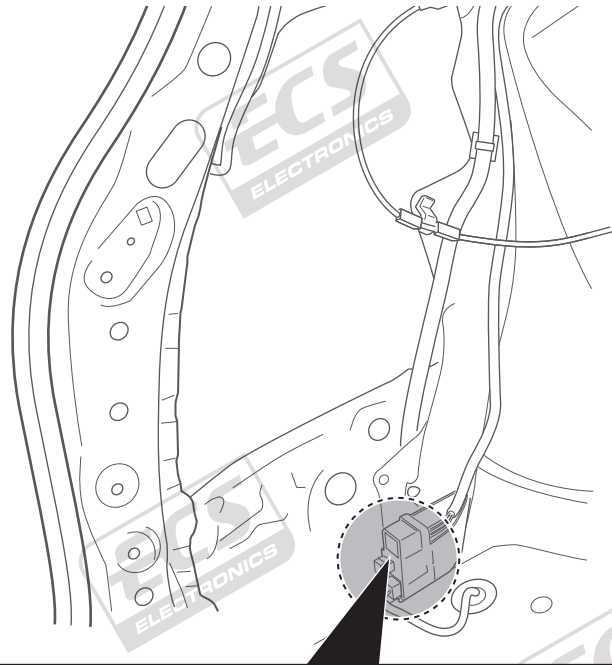
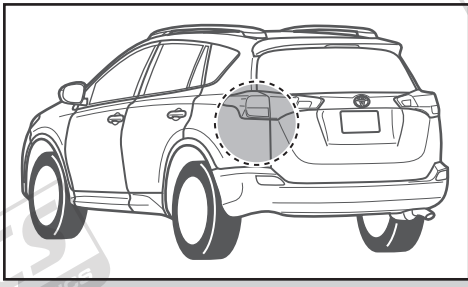


10



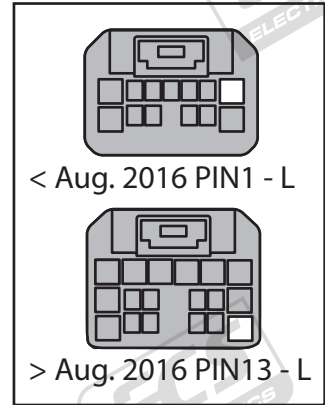
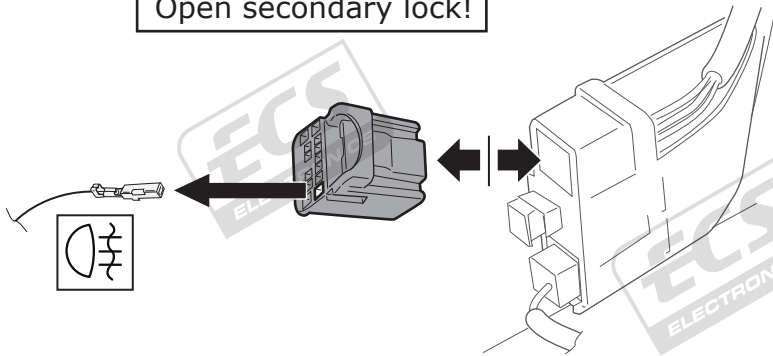
11





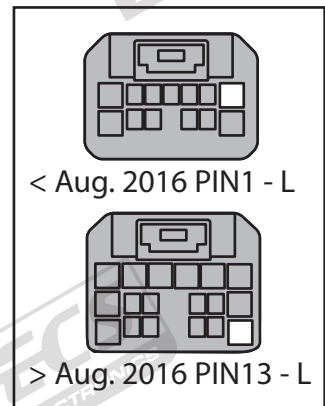
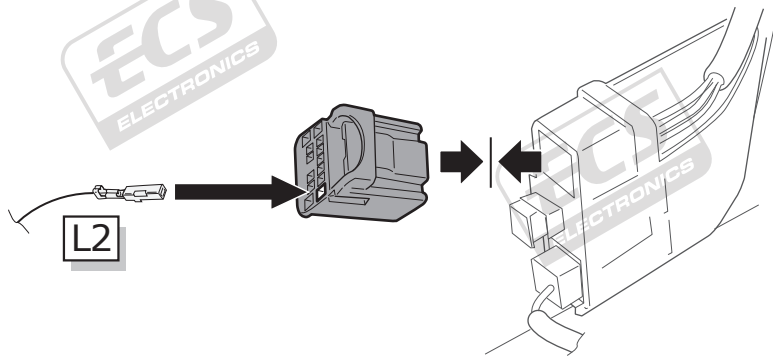
1

Open secondary lock!

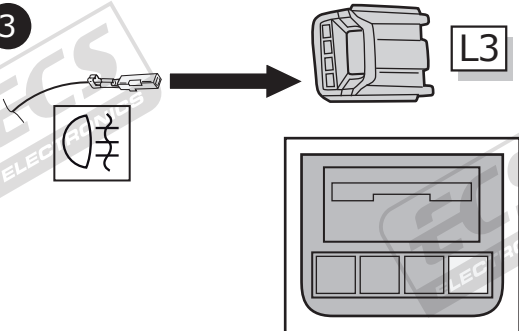


2

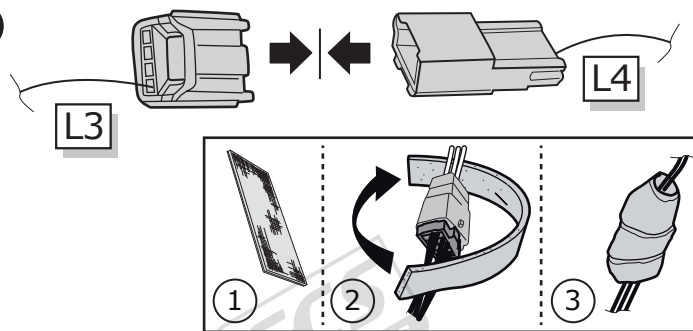
Close secondary lock!



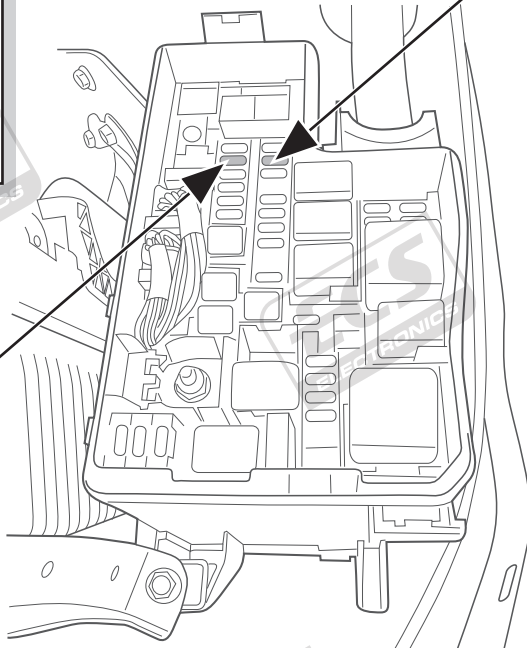
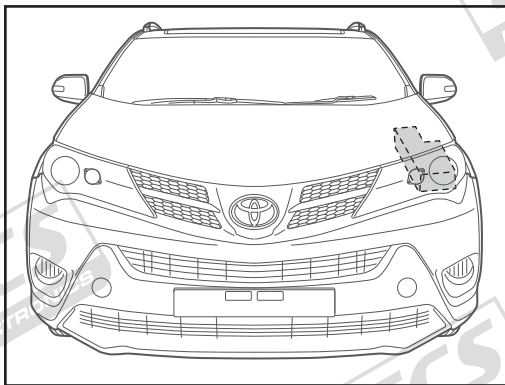
3



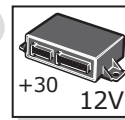
4



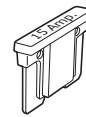
13



Option Hybrid: Towing

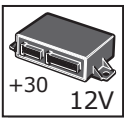


+30 12V

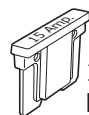


15 Amp.
LowProf mini

Option Towing-B

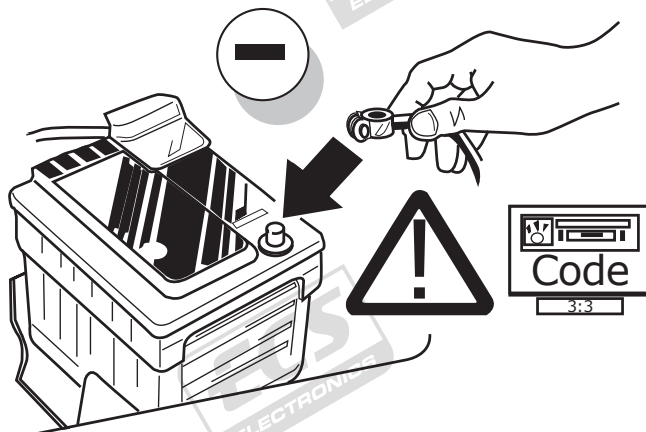


+30 12V



15 Amp.
LowProf mini

14



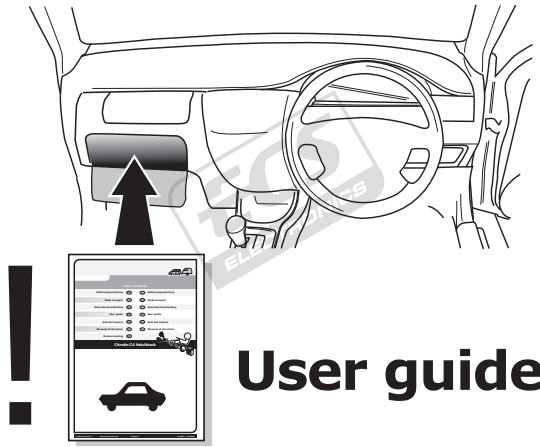
15

TEST ALL THE CIRCUITS WITH A TEST DEVICE WITH THE CORRECT POWER LOAD FOR EACH FUNCTION. A TEST DEVICE WITH LED'S CANNOT BE USED FOR THIS PURPOSE.

INFO

REINSTALL TRIM.

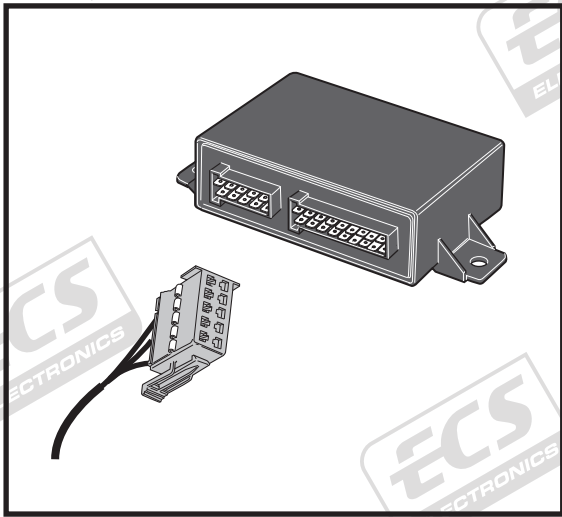
16



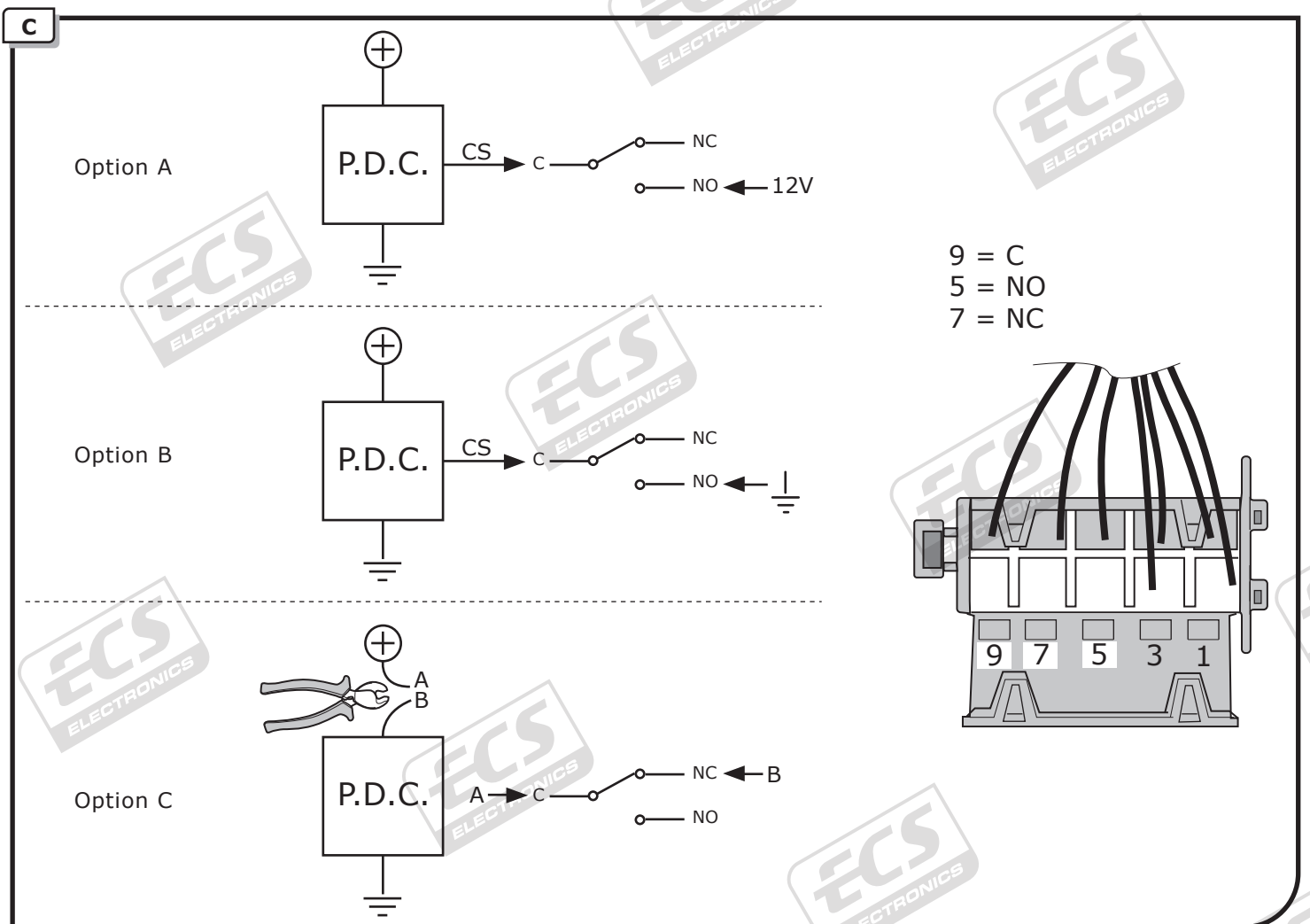
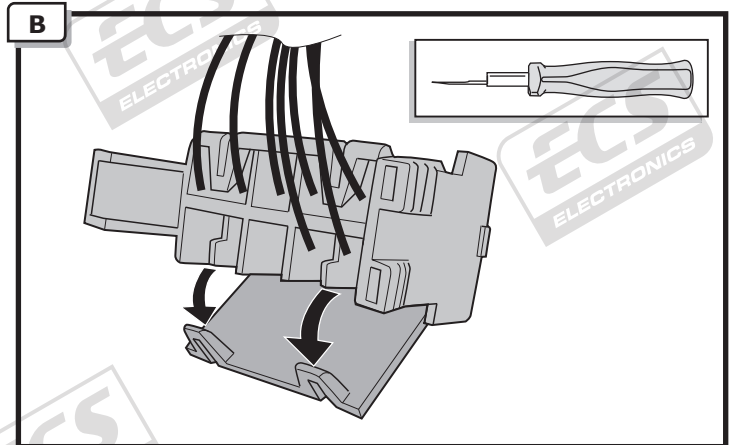
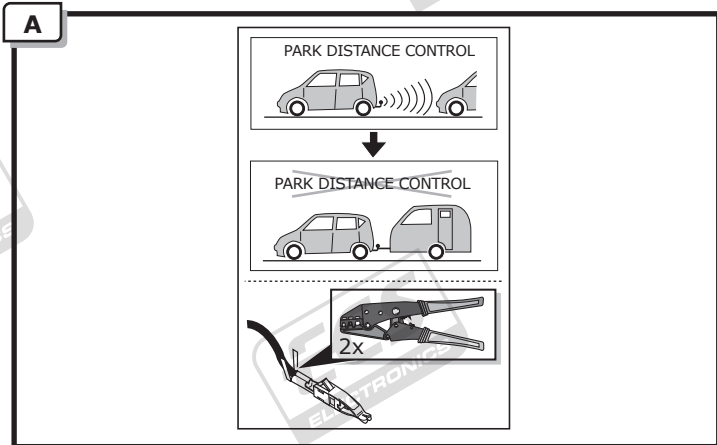
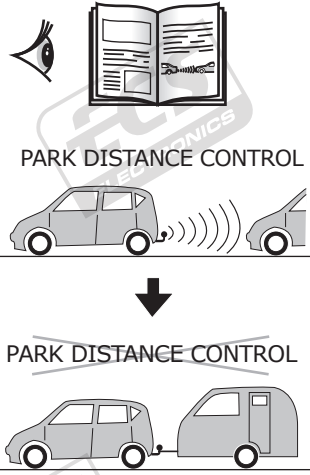
INFO

SOCKET CONNECTION

DIN/ISO 1724							
	1/L	2	3/31	4/R	5/58-R	6/54	7/58-L
Pmax	21W	2x21W		21W	52W	3x21W	52W
Colour	Yellow	Blue	White	Green	Brown	Red	Black

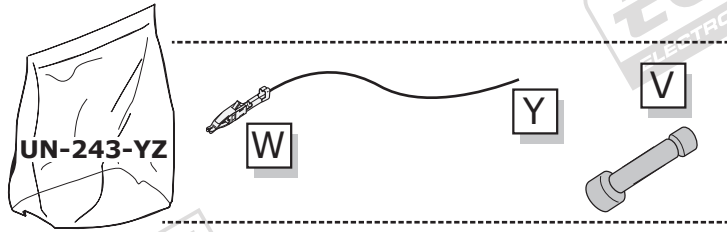


Option

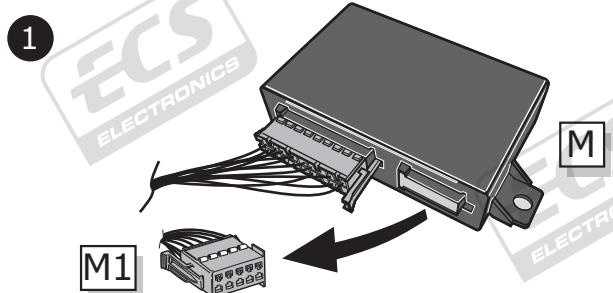
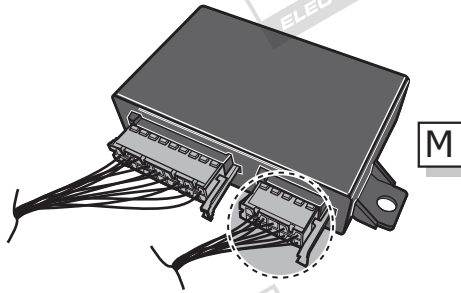


UN-243-YZ Reverse lamp pre-wire extension

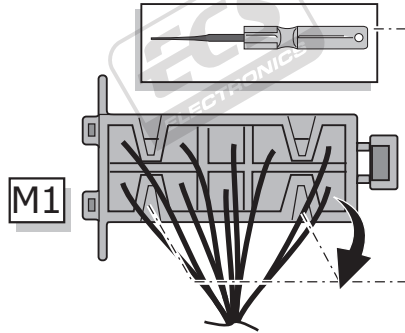
⚠ MAX = 21W



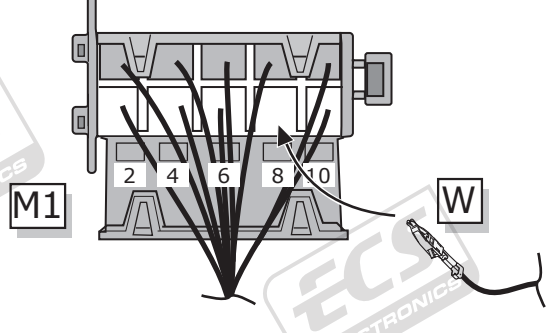
A



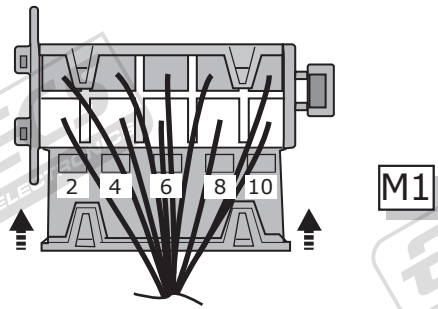
2



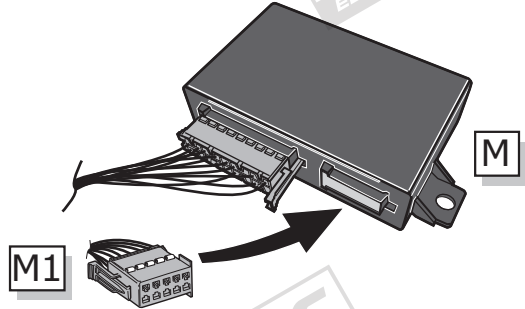
3



4



5



B

⚠ MAX = 21W

