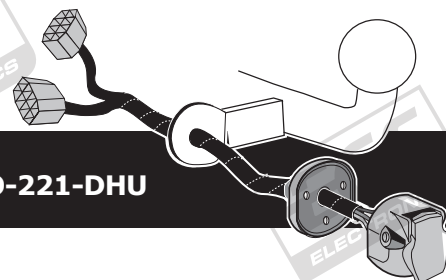


Auris 10/2012-
Auris 10/2012- Hybrid
Auris 04/2013- Touring Sports
Auris 04/2013- Touring Sports Hybrid

Partnr.: TO-221-DHU



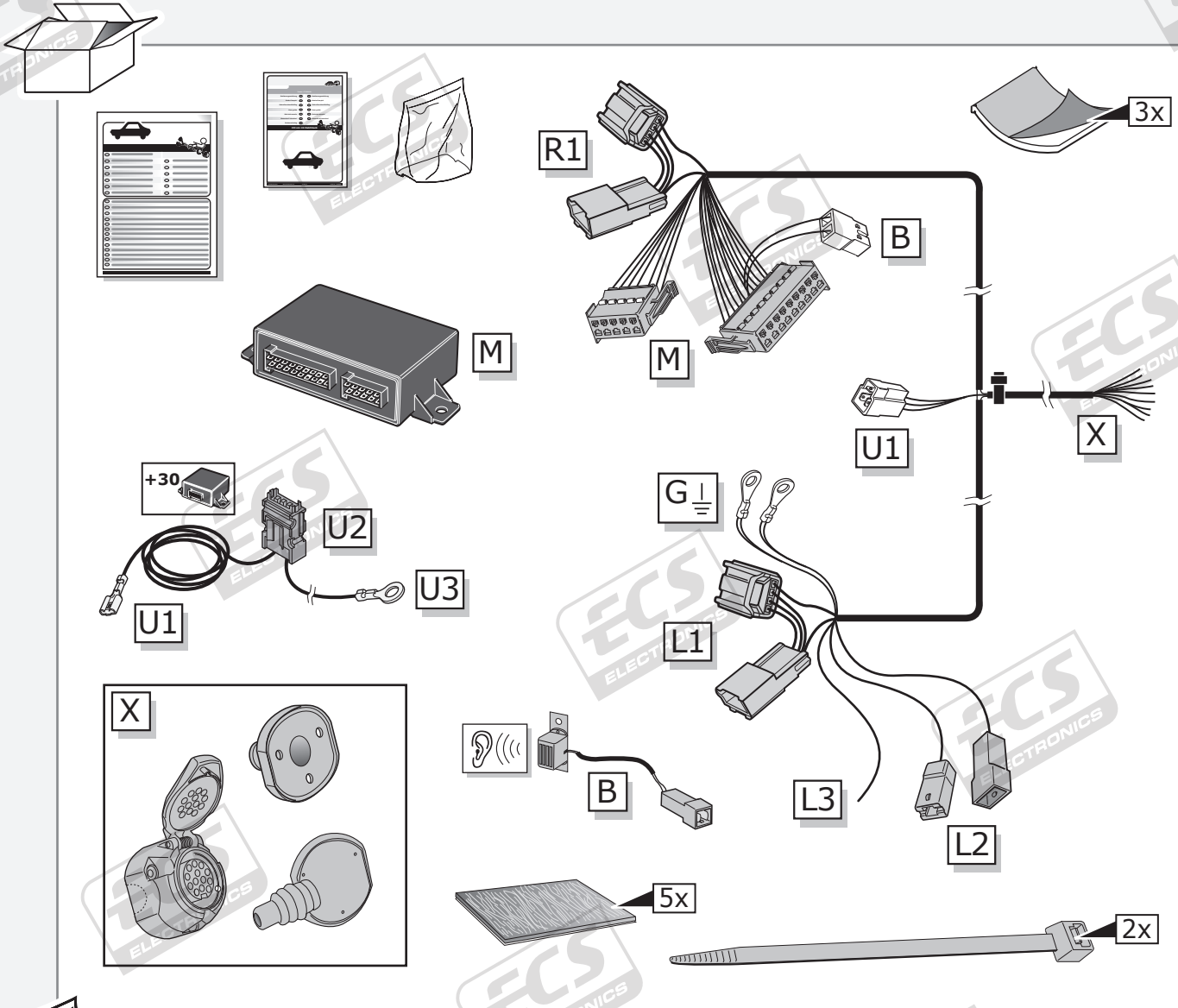
- Fitting instructions electric wiring kit tow bar with 13-P socket up to DIN/ISO Norm 11446.
- We would expressly point out that assembly not carried out properly by a competent installer will result in cancellation of any right to damage compensation, in particular those arising by virtue of the product liability act.
- Contents of these kits and their fitting manuals are subject to alteration without notice, please ensure that these instructions are read and fully understood before commencing installation.
- Do not overload circuits; the maximum loads per connection are detailed in this manual.
- Attention! Before Installation, please read this manual carefully and inform your customer to consult the vehicle owners manual to check for any vehicle modifications required before towing.
- In the event of functional problems, troubleshooting must be limited to about 0.5 hours, contact the technical support:
t.skinner@ecs-electronics.com / 07440 202 052.

TECHNICAL SUPPORT

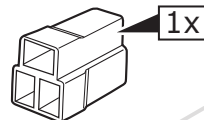
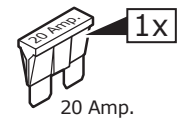
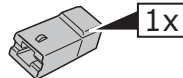
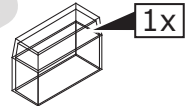
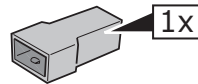
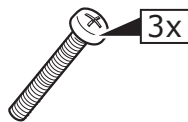
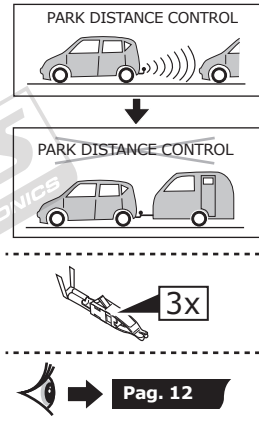
CALL
07440
202
052

ECS ELECTRONICS
MONDAY TO FRIDAY
08.00 - 11.00 am
12.00 - 05.00 pm
t.skinner@ecs-electronics.com
www.ecs-electronicsuk.co.uk

Part list



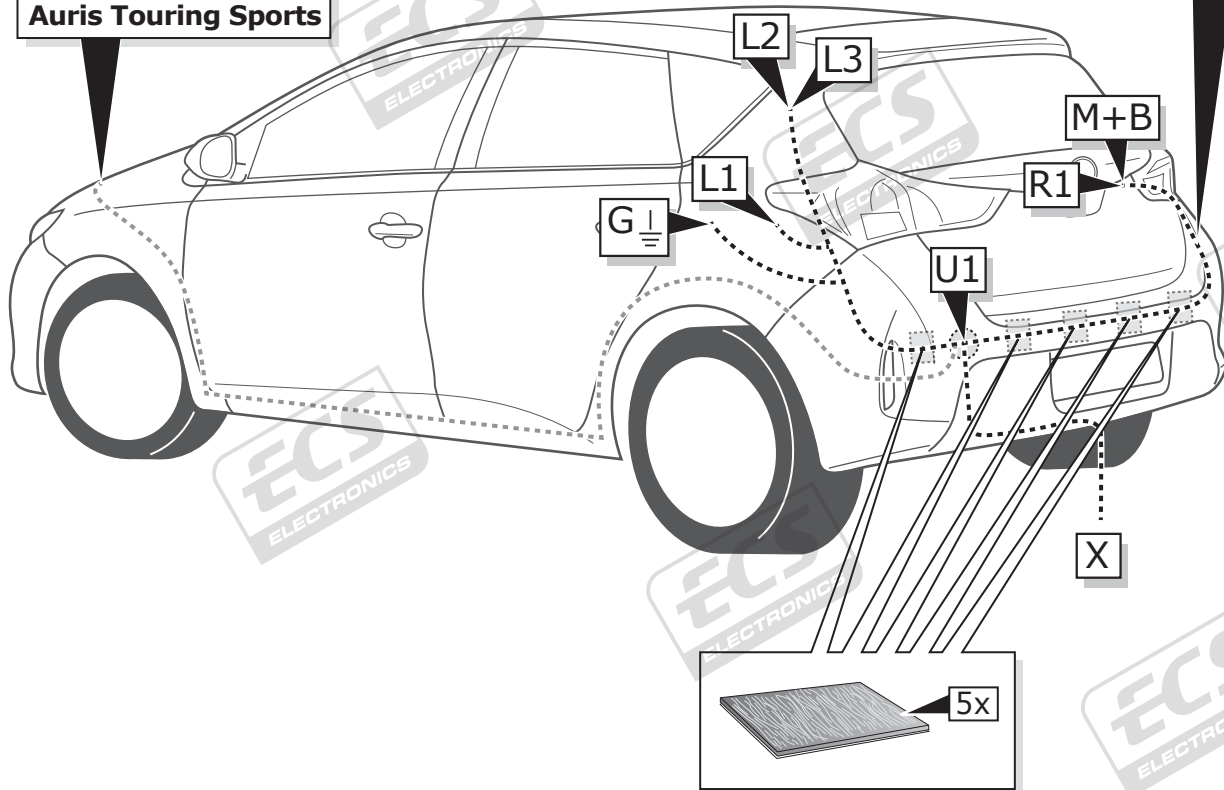
* OPTION P.D.C.



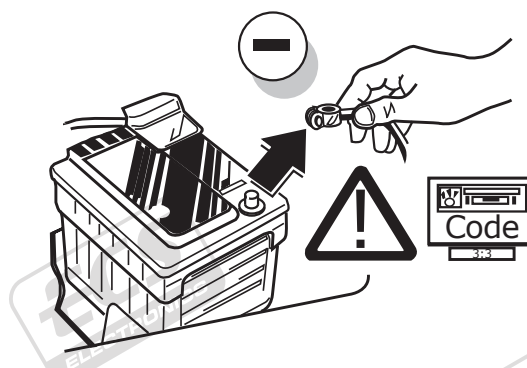
ROUTING

U2 U3
Auris
Auris Touring Sports

U2 U3
Auris Hybrid
Auris Touring Sports Hybrid

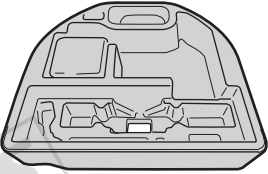


1

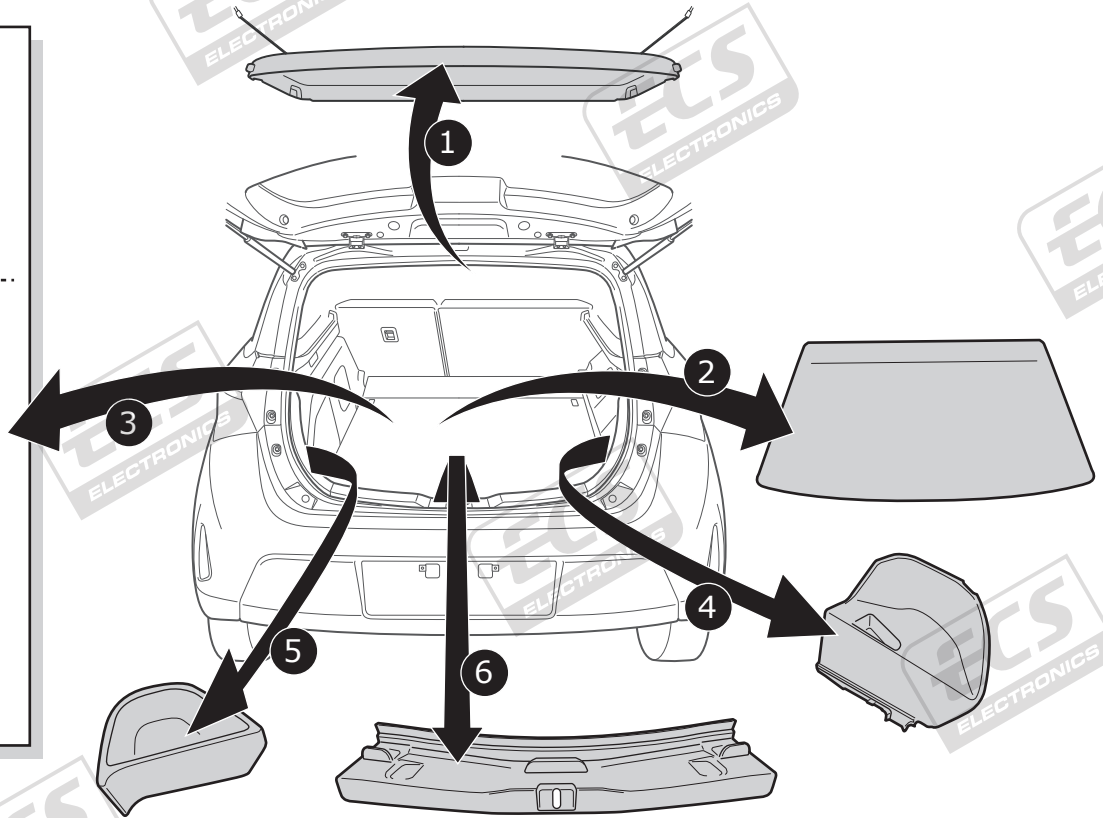
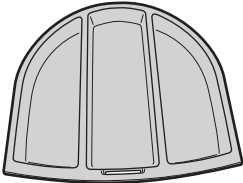


2

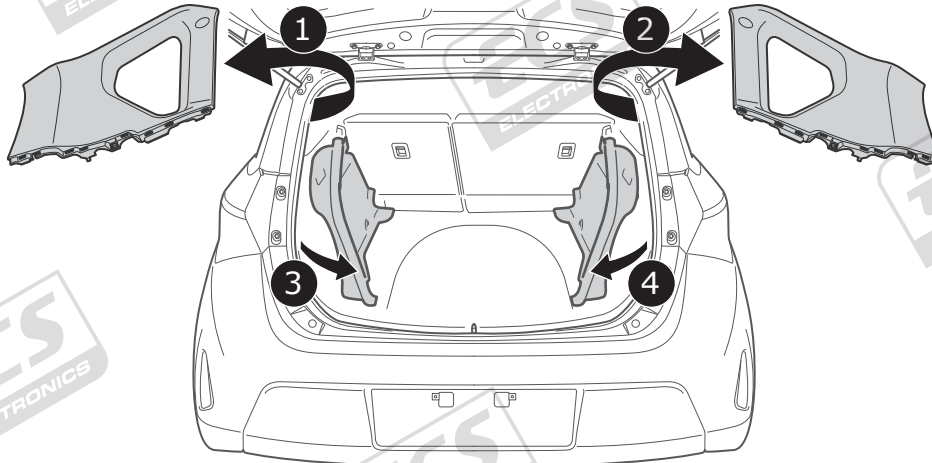
Option 1



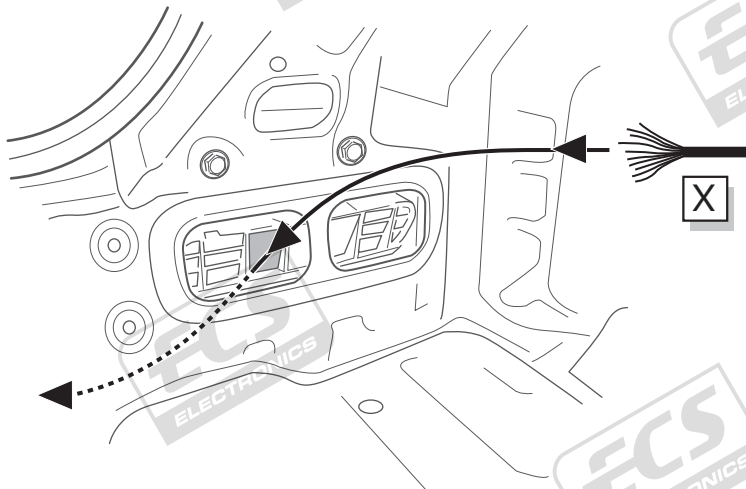
Option 2

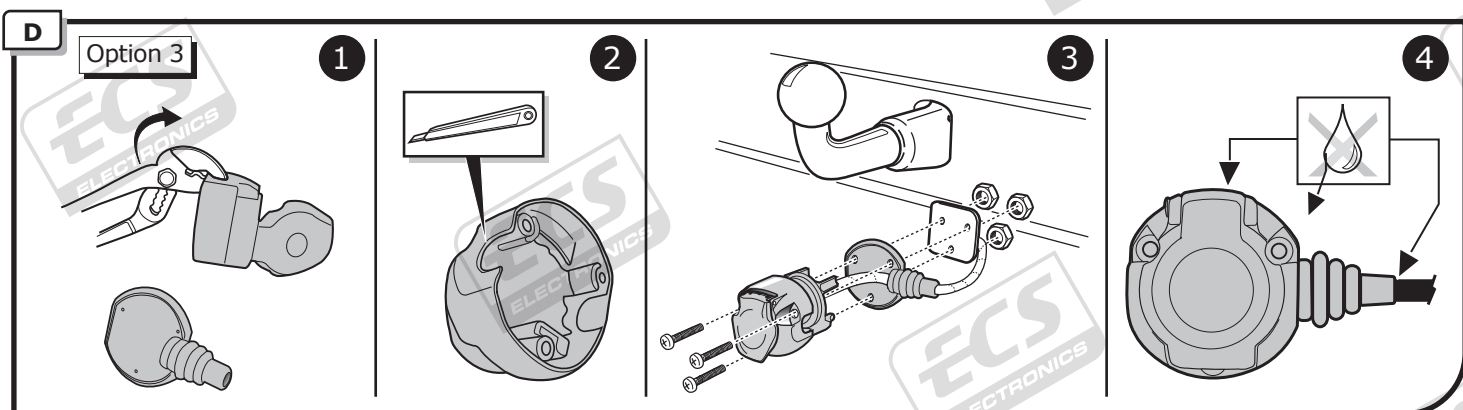
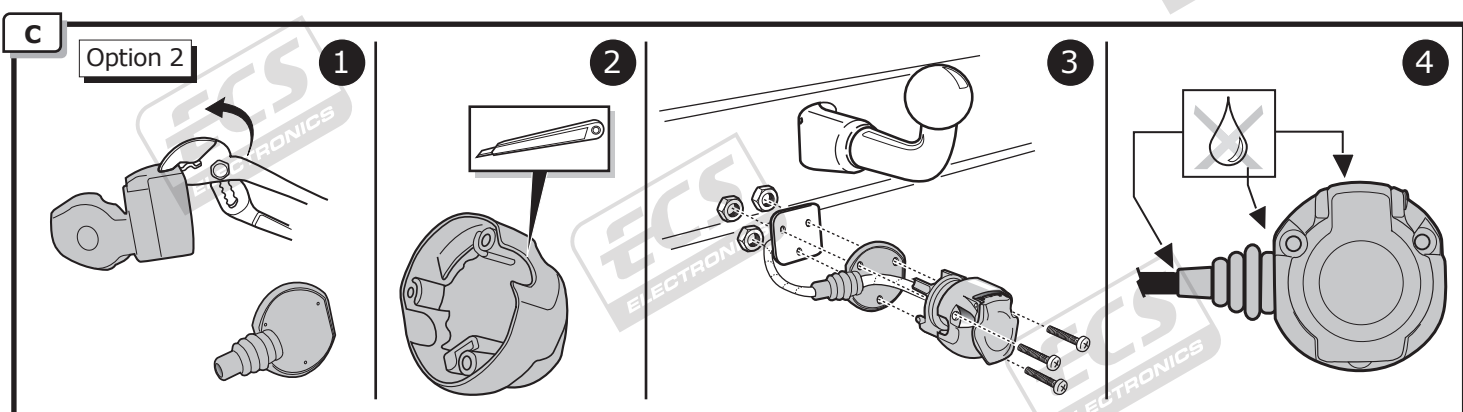
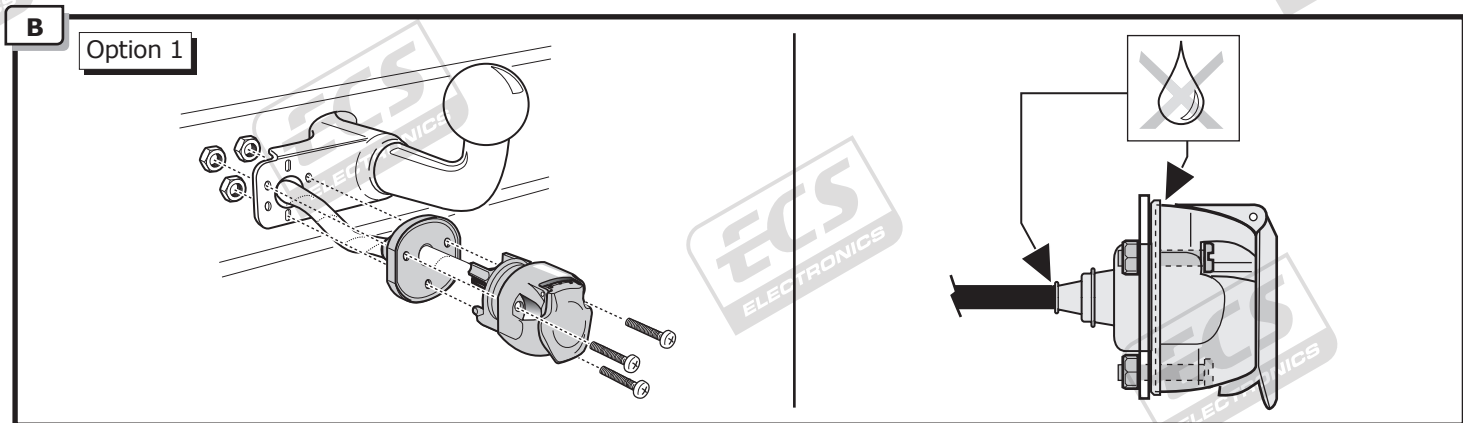
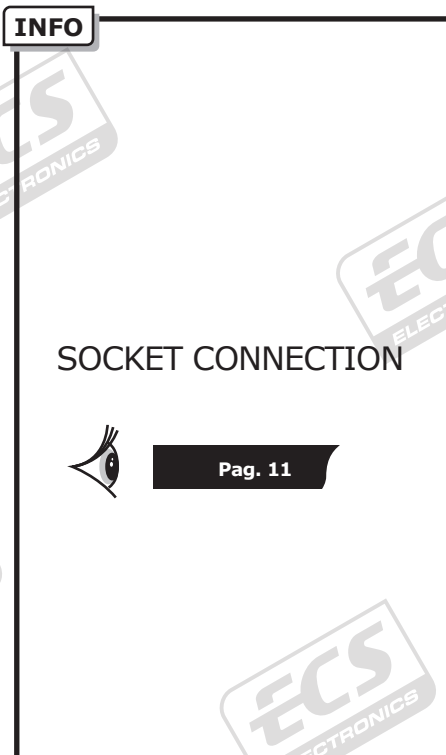
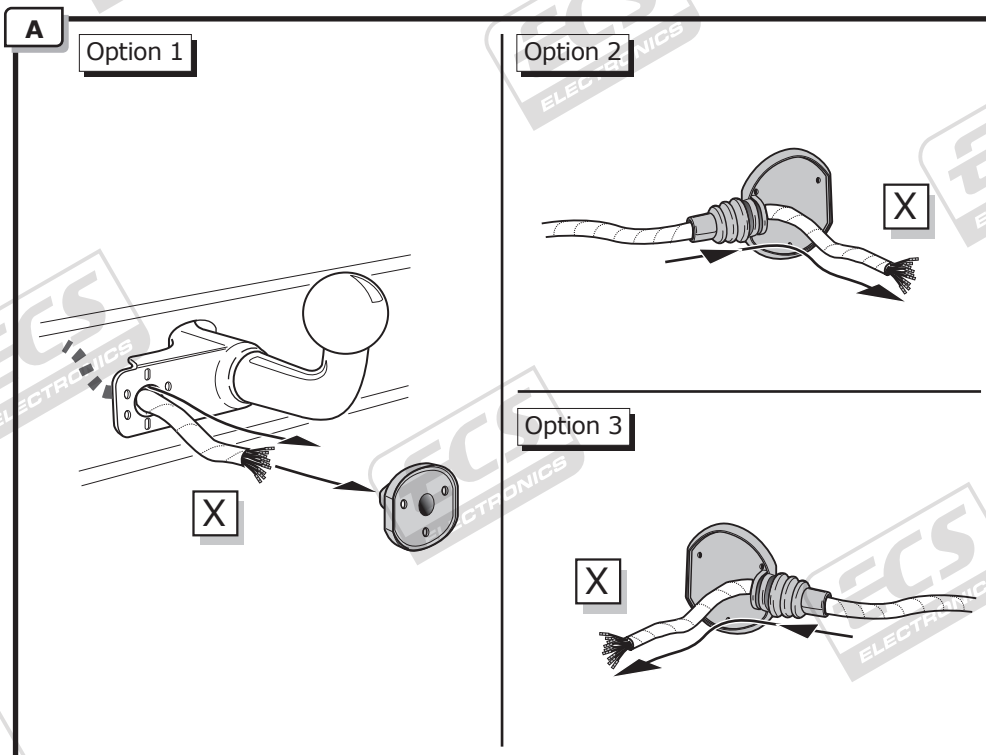


3

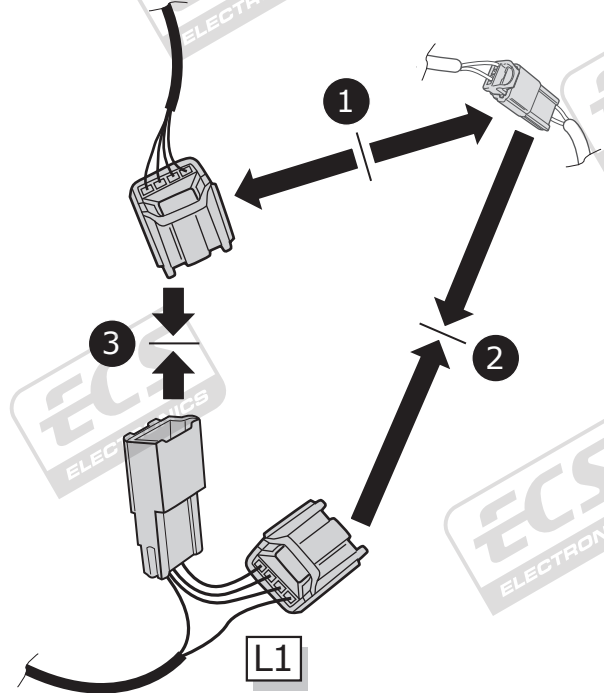
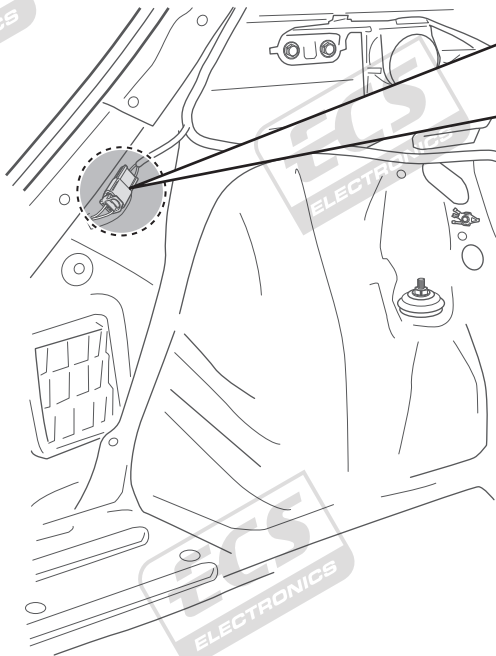
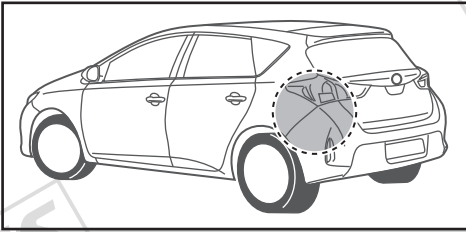


4

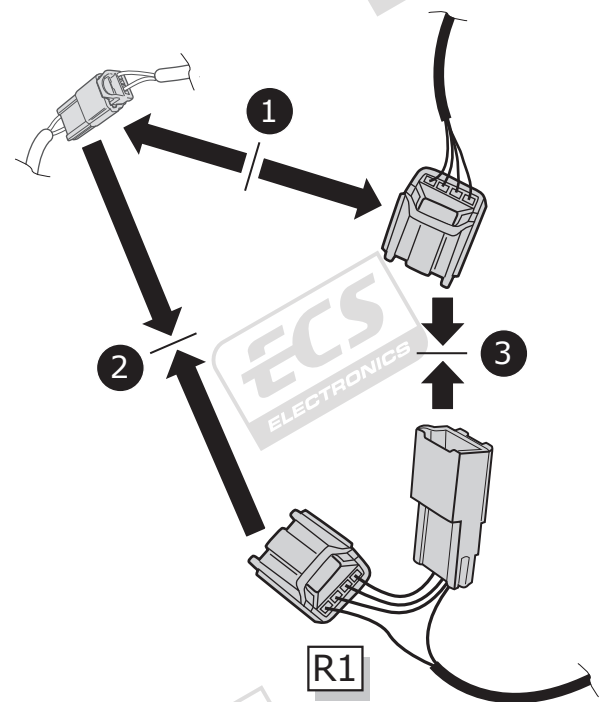
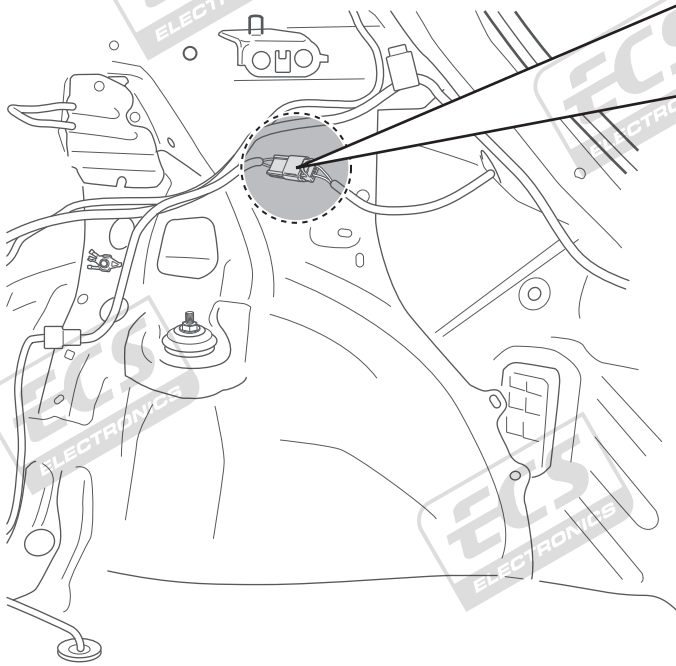
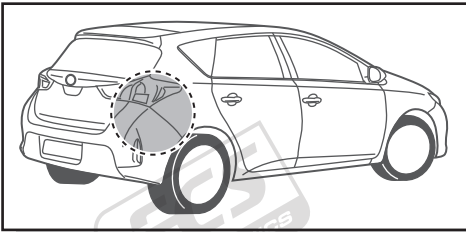


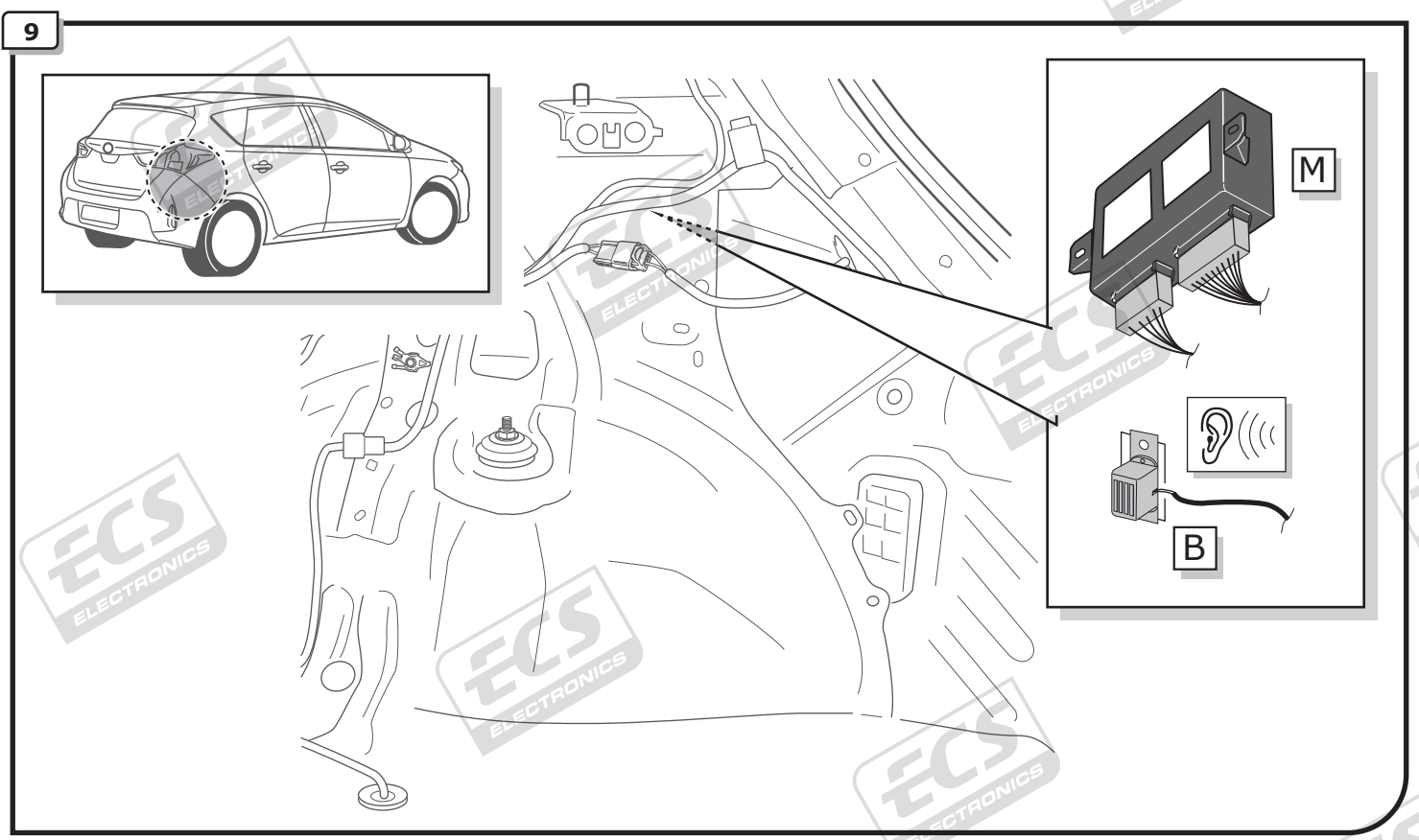
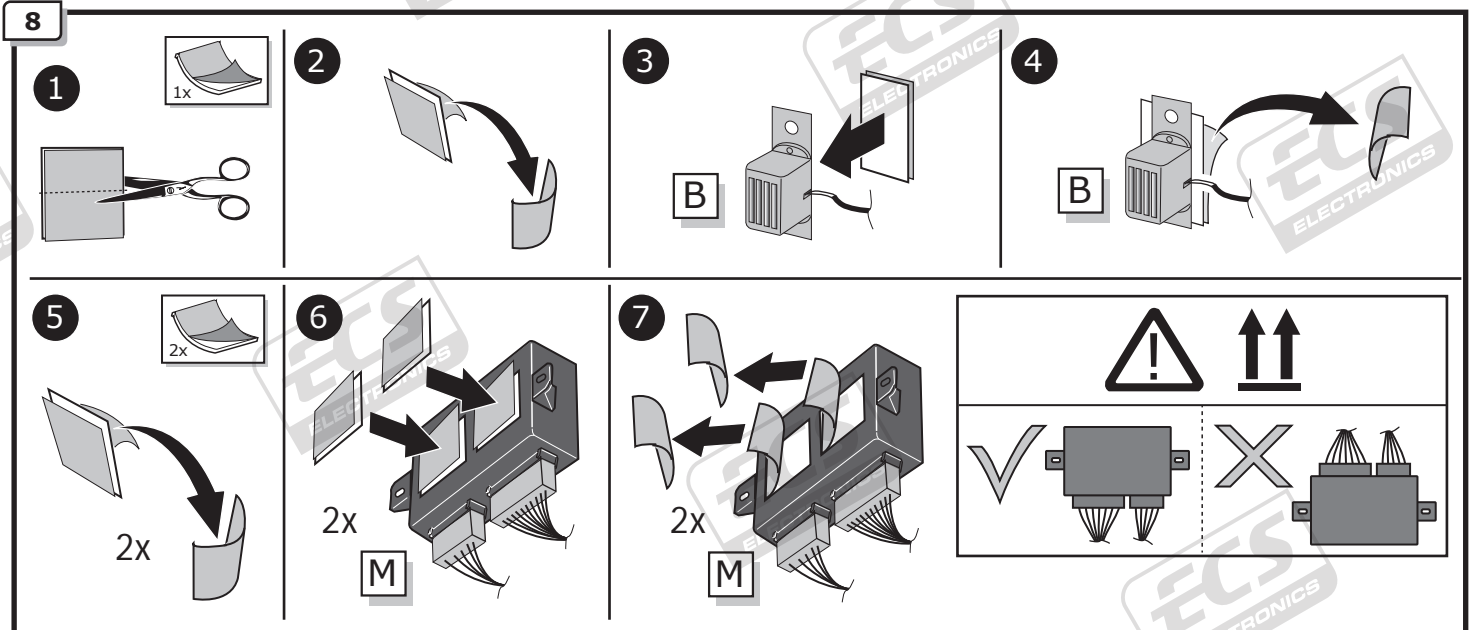
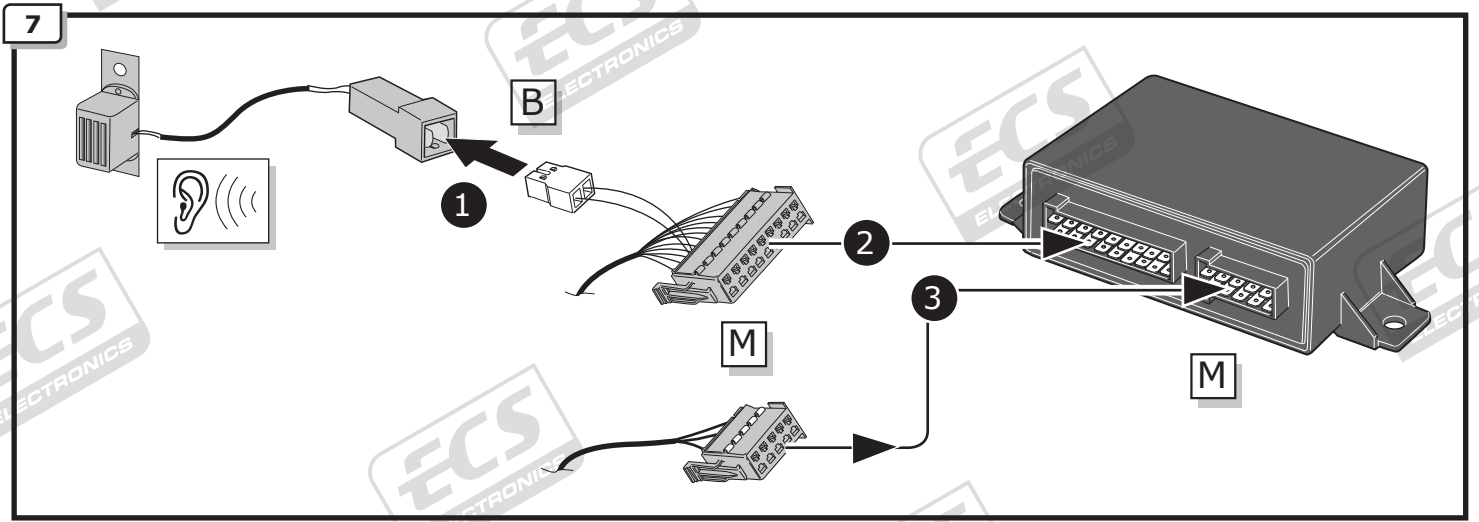


5

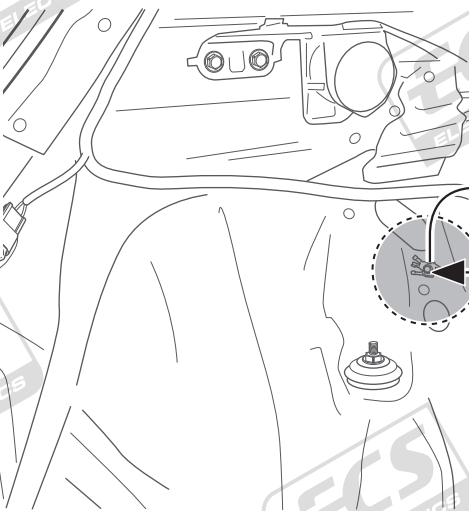
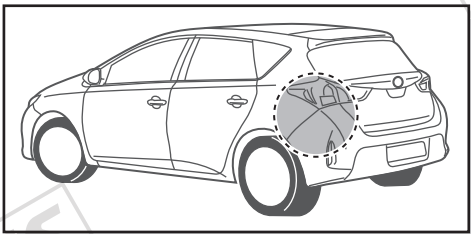


6





10



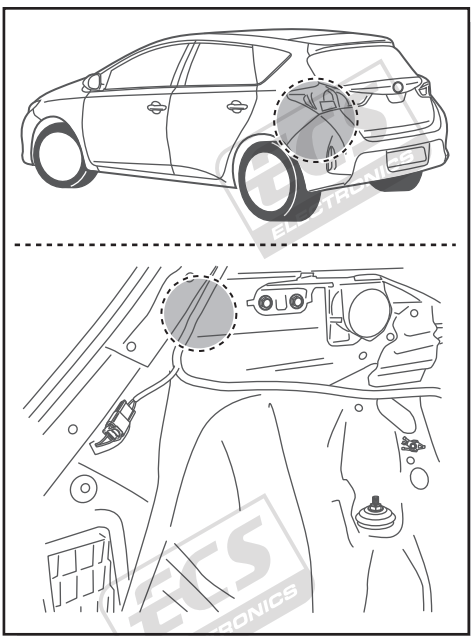
1

2

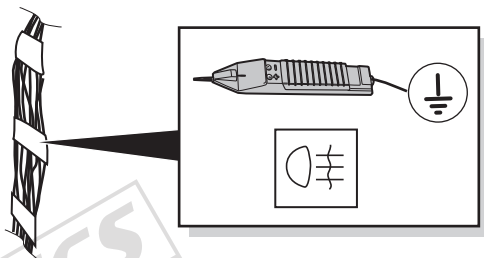
G

10 mm

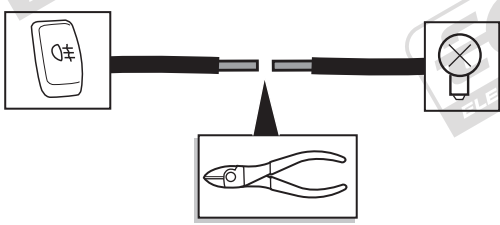
11



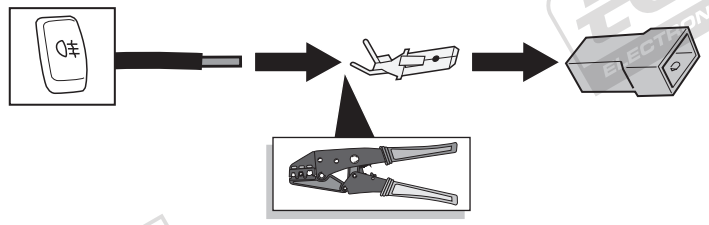
1



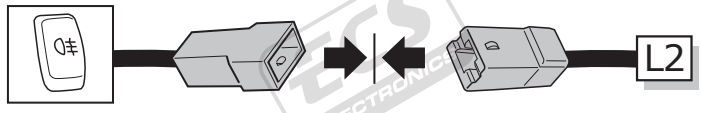
2



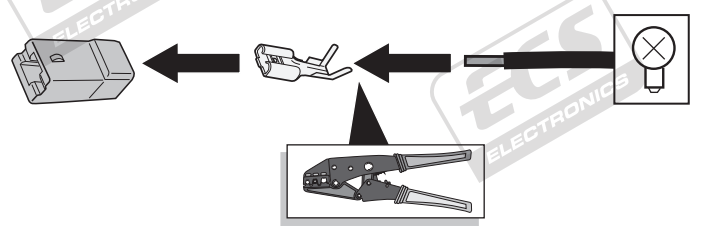
3



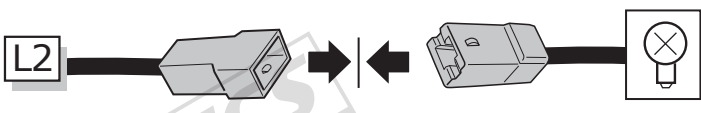
4



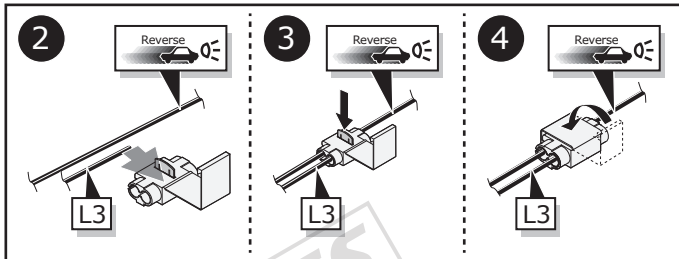
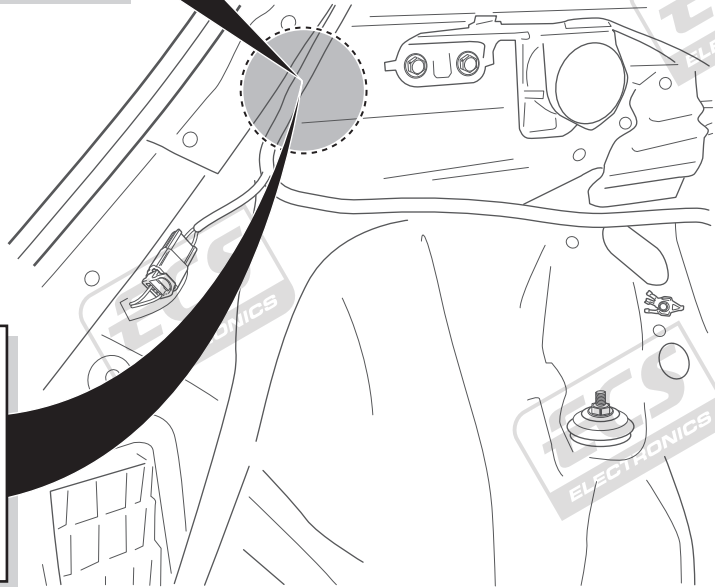
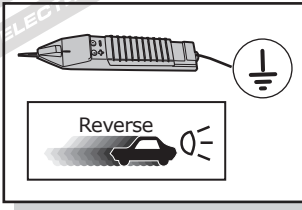
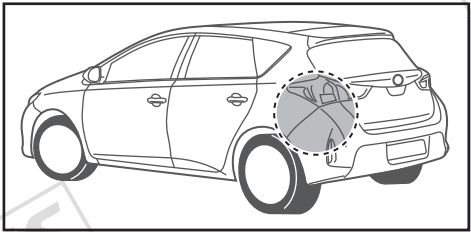
5



6

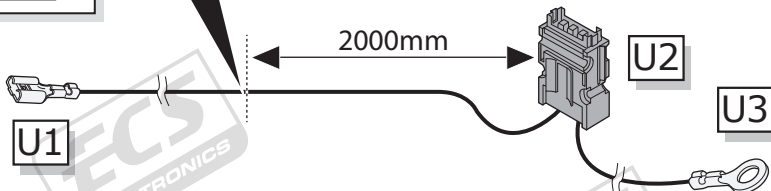


12



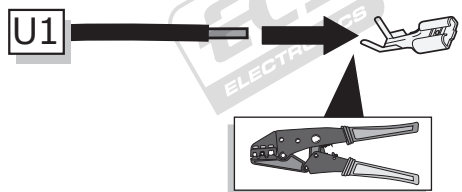
13

Option Hybrid

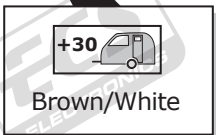
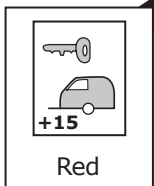
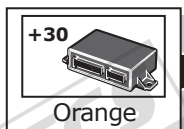


1

2

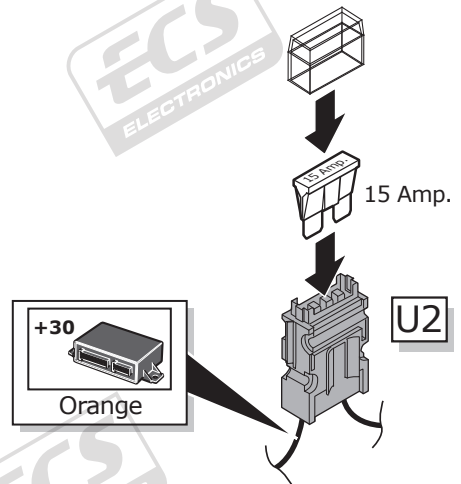


14

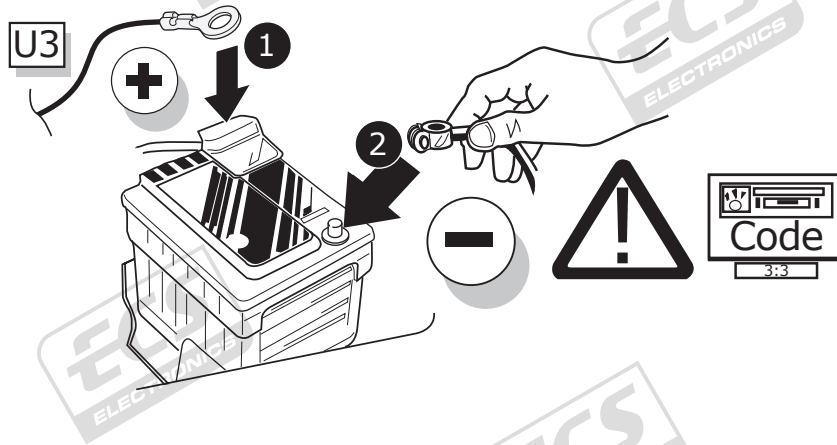


1

2



15



16

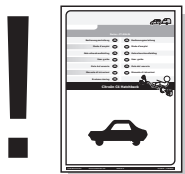
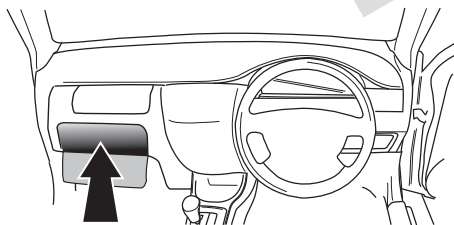


TEST ALL THE CIRCUITS WITH A TEST DEVICE WITH THE CORRECT POWER LOAD FOR EACH FUNCTION. A TEST DEVICE WITH LED'S CANNOT BE USED FOR THIS PURPOSE.

INFO

REINSTALL TRIM.

17



User guide

TECHNICAL SUPPORT

**CALL
07440
202
052**

ECS ELECTRONICS

MONDAY TO FRIDAY
 08.00 - 11.00 am
 12.00 - 05.00 pm
 t.skinner@ecs-electronics.com
 www.ecs-electronicsuk.co.uk

SOCKET CONNECTION

DIN/ISO 11446													
Pmax	21W	2x21W		21W	52W	3x21W	52W	2x21W	180W/15Amp	180W/15Amp			
Colour	Yellow	Blue	White	Green	Brown	Red 1,00 mm ²	Black	Black/ Red	Brown/ White	Red 2,50 mm ²	White	-	White

