

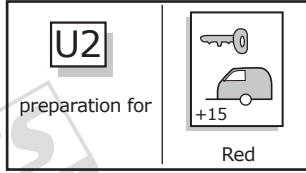
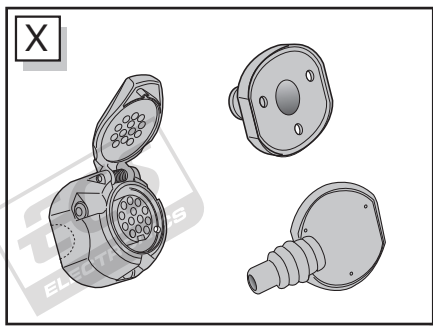
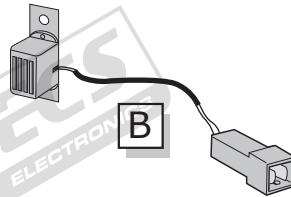
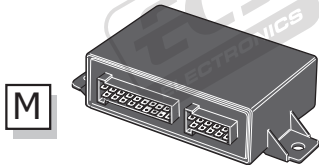
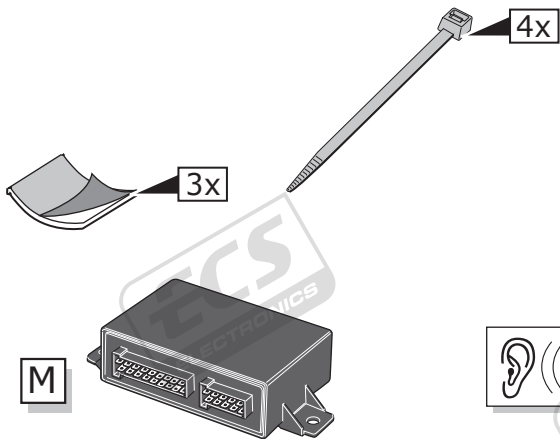
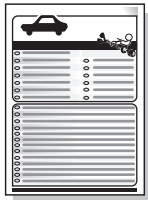
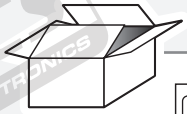
Toyota Land Cruiser 09/2009-

Partnr.: TO-186-DHU

- Fitting instructions electric wiring kit tow bar with 13-P socket up to DIN/ISO Norm 11446.
- We would expressly point out that assembly not carried out properly by a competent installer will result in cancellation of any right to damage compensation, in particular those arising by virtue of the product liability act.
- Contents of these kits and their fitting manuals are subject to alteration without notice, please ensure that these instructions are read and fully understood before commencing installation.
- Do not overload circuits; the maximum loads per connection are detailed in this manual.
- Attention! Before Installation, please read this manual carefully and inform your customer to consult the vehicle owners manual to check for any vehicle modifications required before towing.
- In the event of functional problems, troubleshooting must be limited to about 0.5 hours, contact the technical support:
t.skinner@ecs-electronics.com / 07440 202 052.



Part list



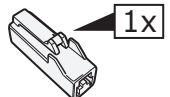
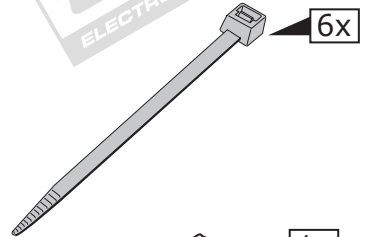
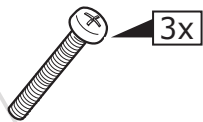
*** OPTION P.D.C.**

PARK DISTANCE CONTROL

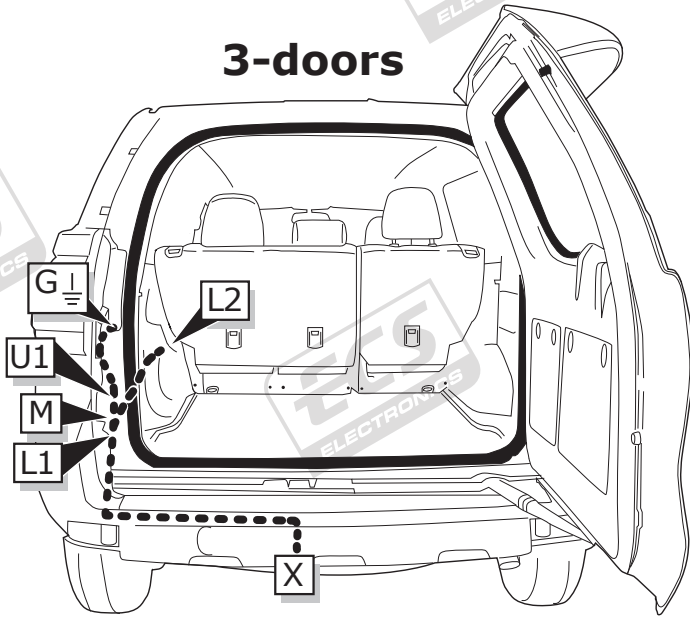
↓

PARK DISTANCE CONTROL

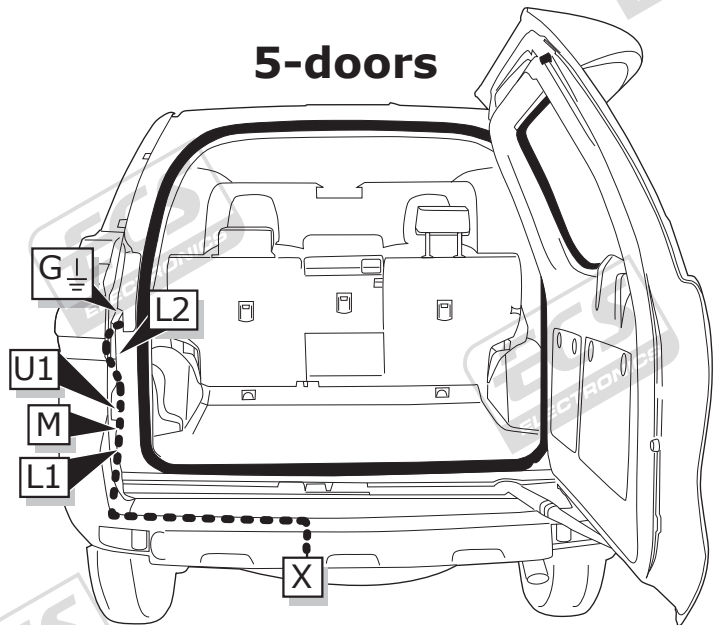
➔ **Pag. 12**



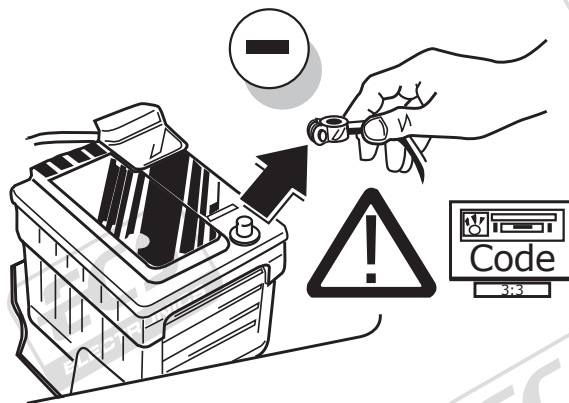
3-doors



5-doors

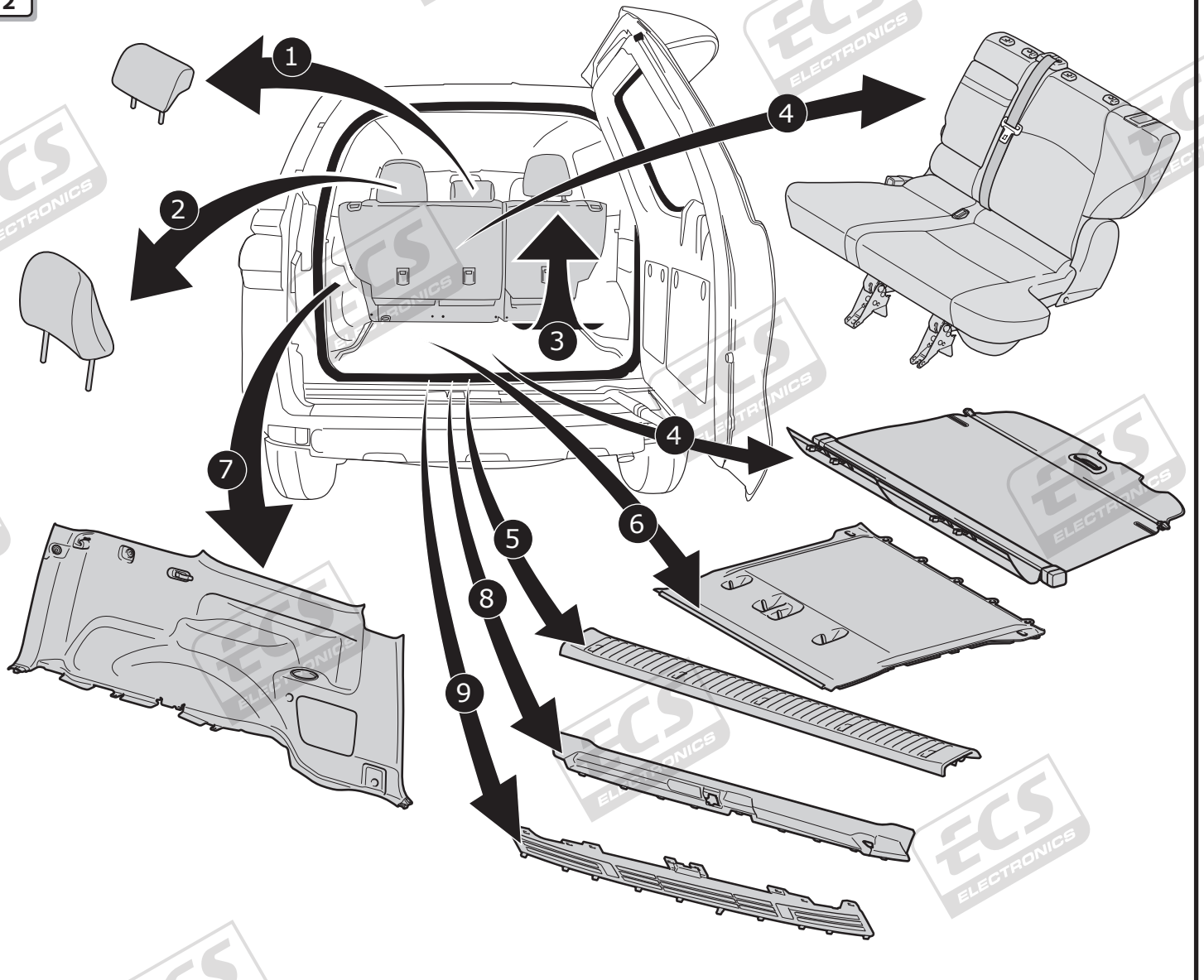


1

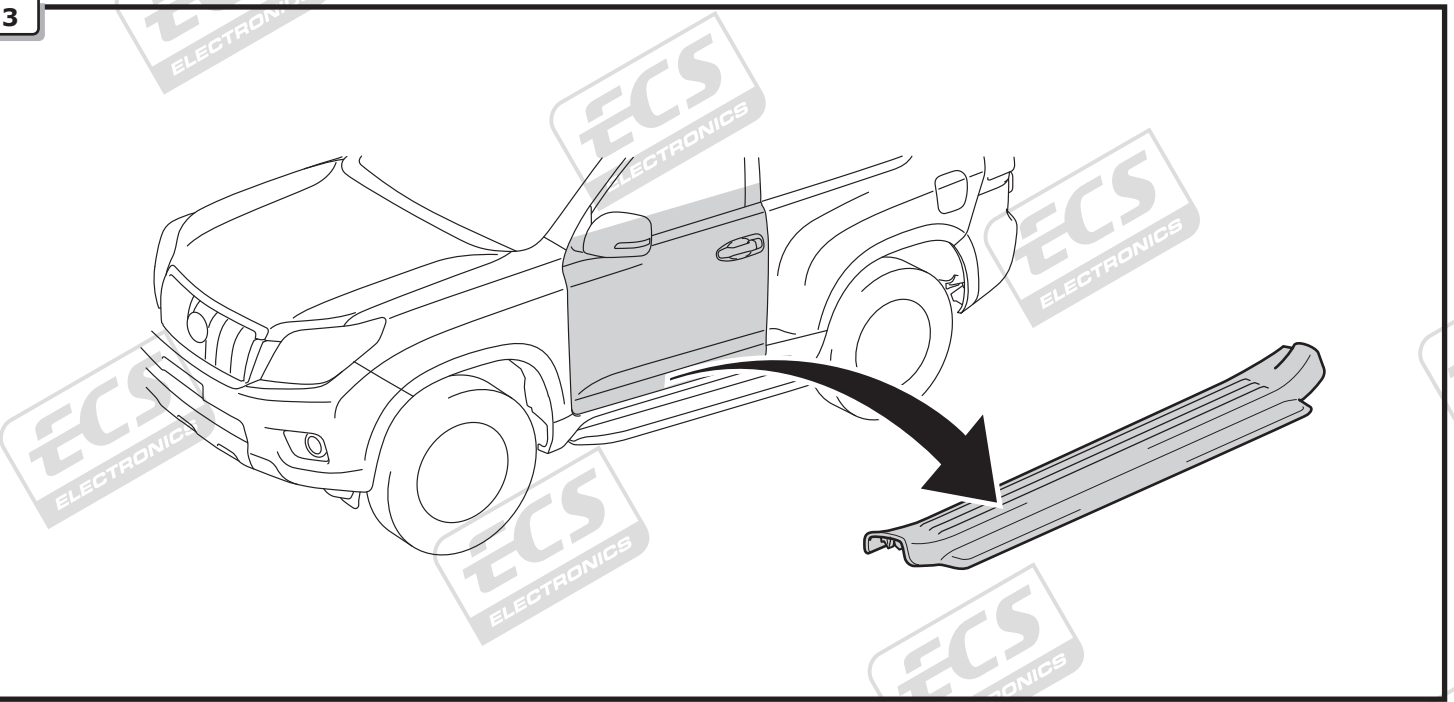


3-Doors

2

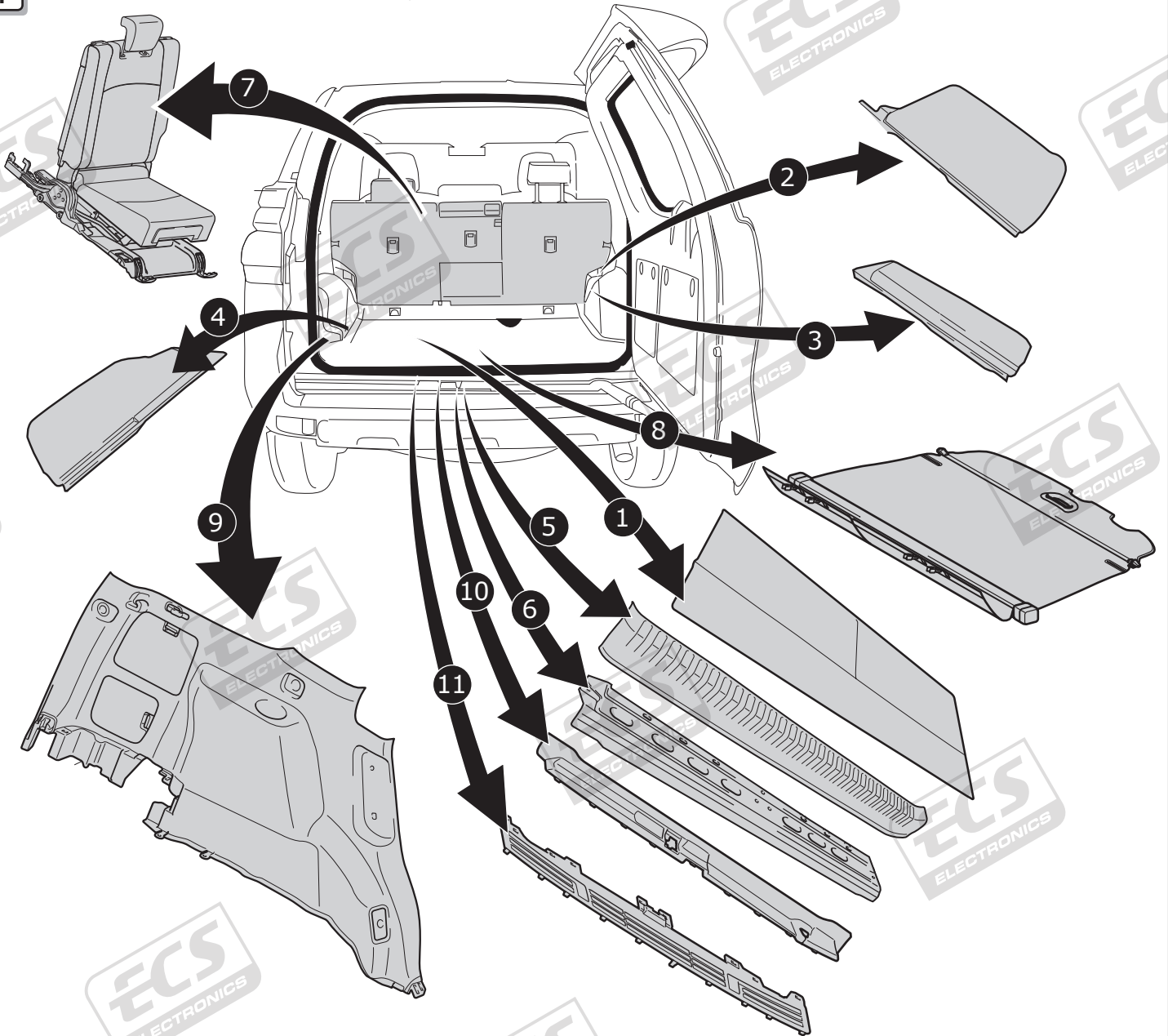


3

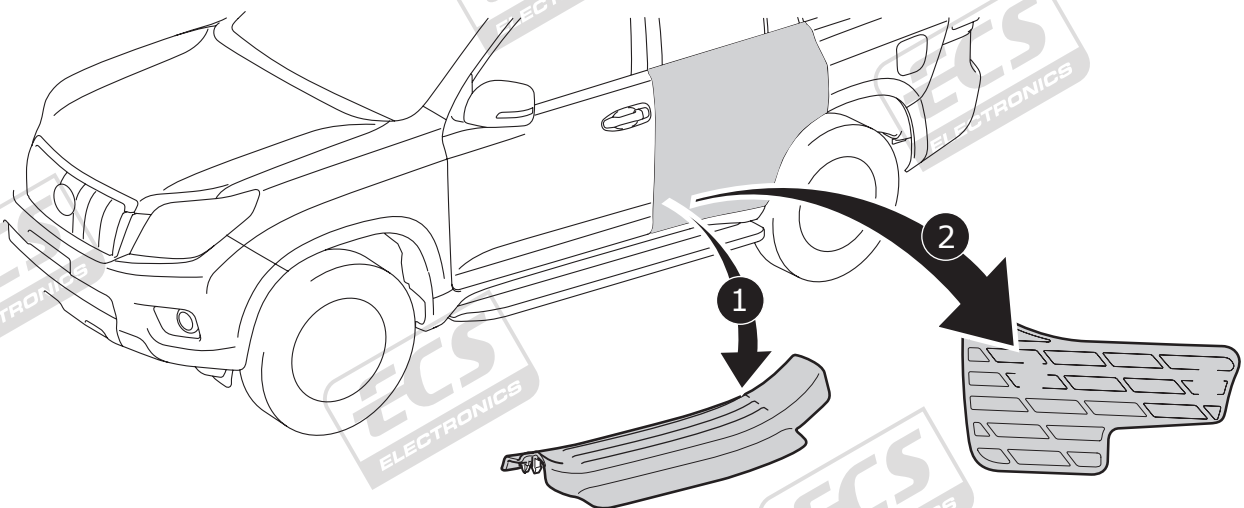


5-Doors

4

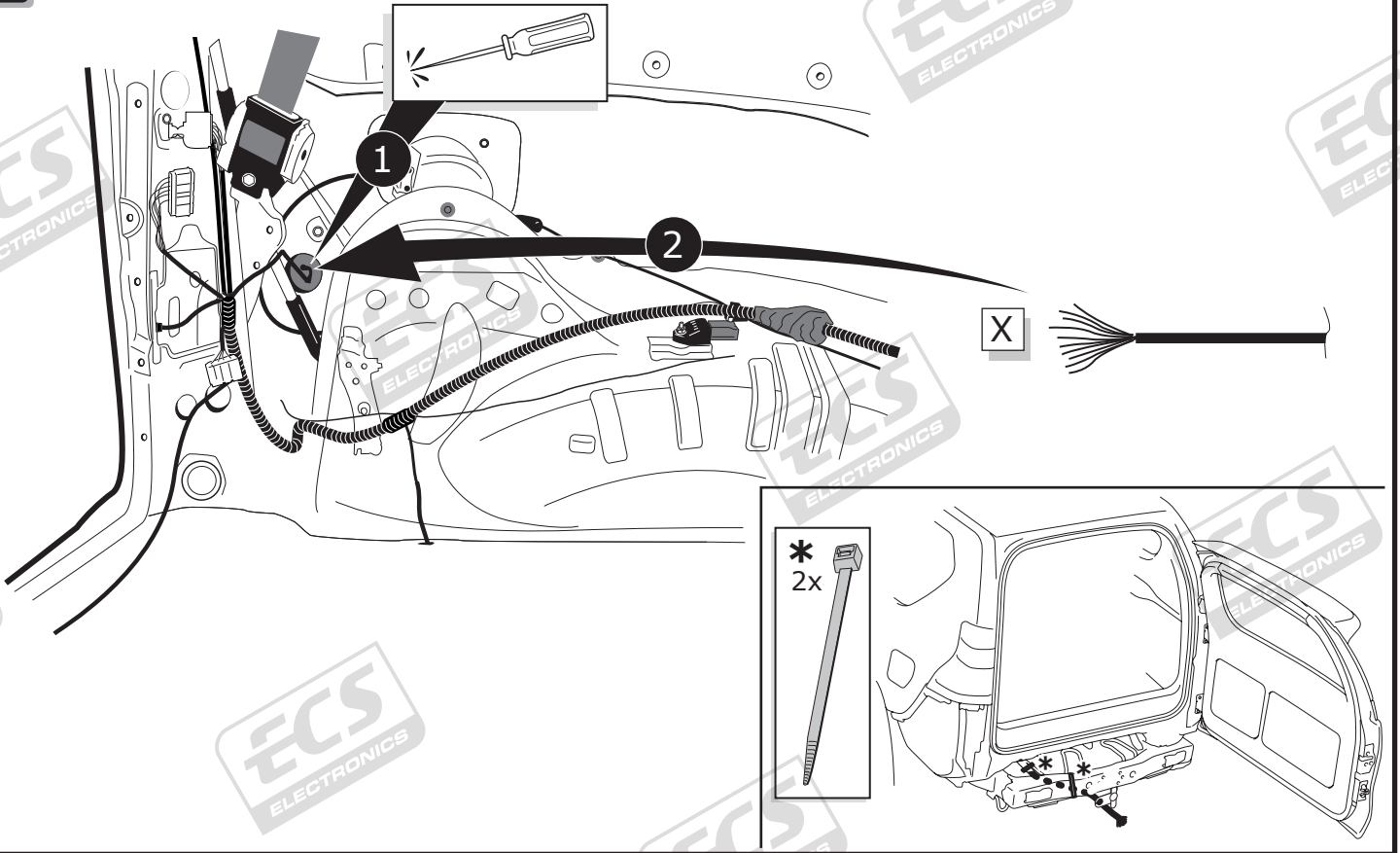


5



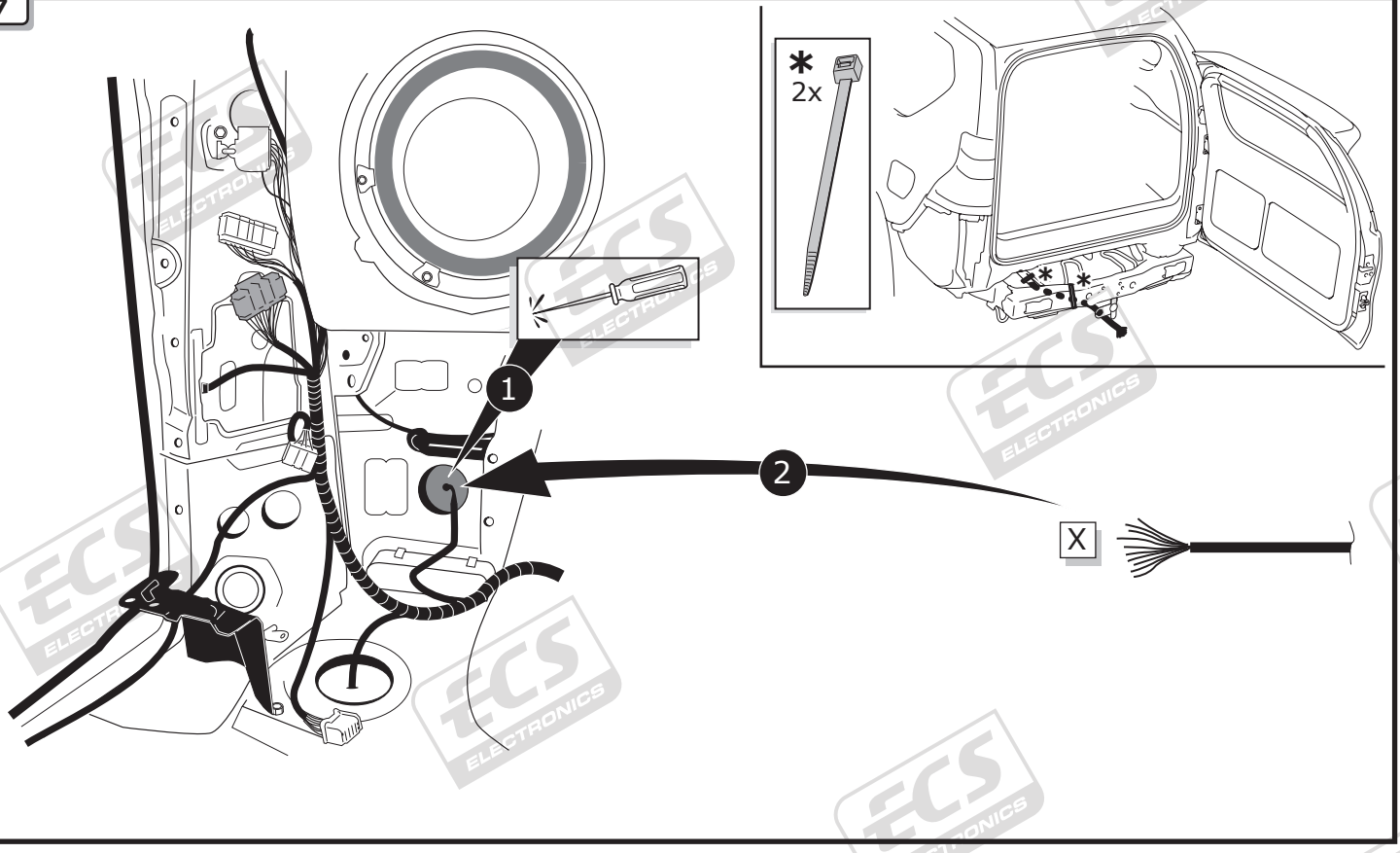
3-Doors

6



5-Doors

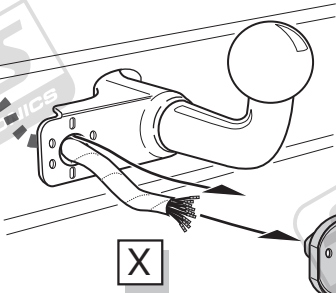
7



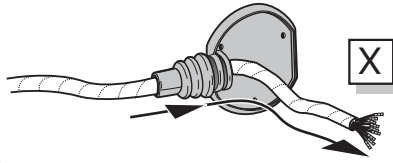
3-Doors & 5-Doors

A

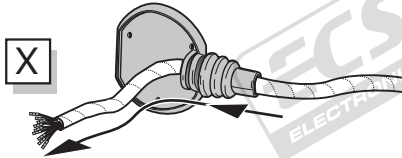
Option 1



Option 2



Option 3



INFO

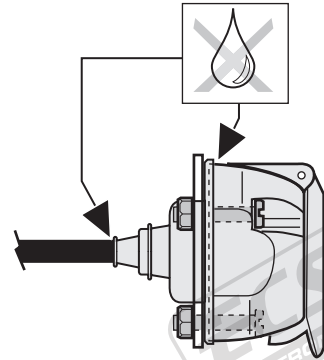
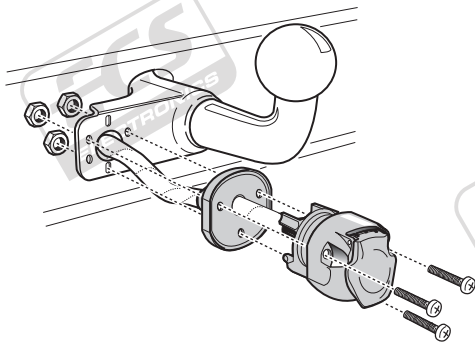
SOCKET CONNECTION



Pag. 11

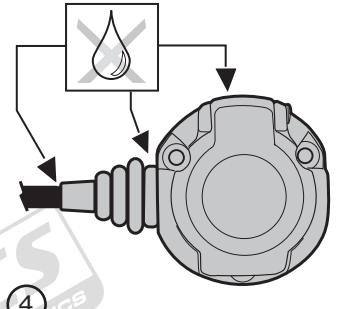
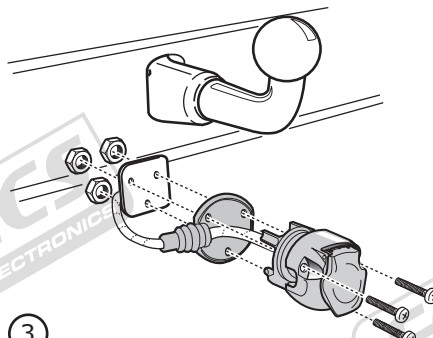
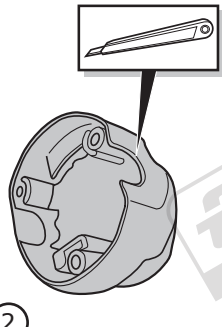
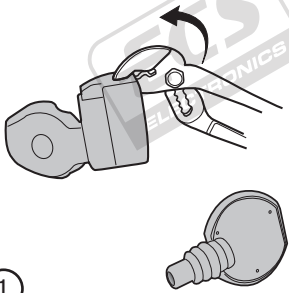
B

Option 1



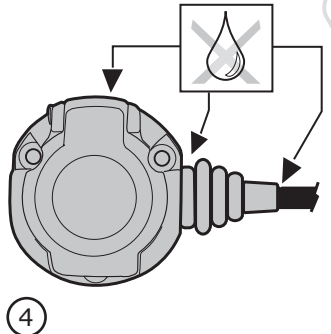
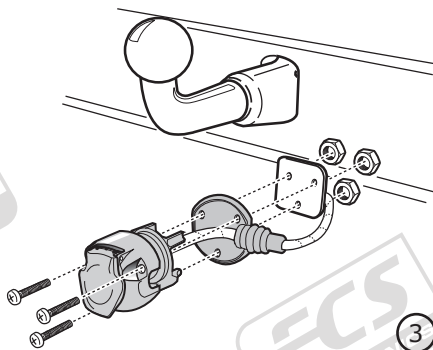
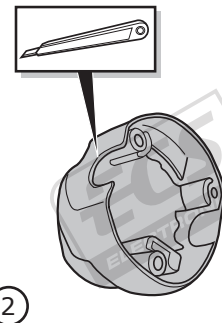
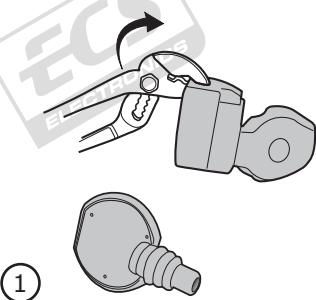
C

Option 2



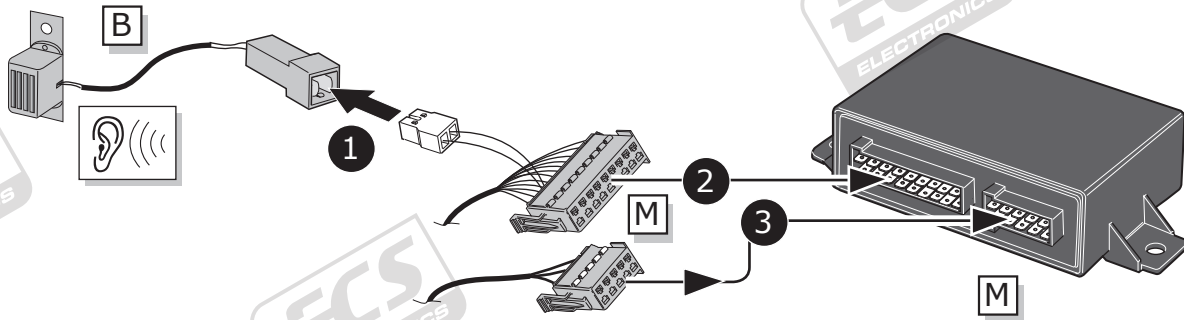
D

Option 3

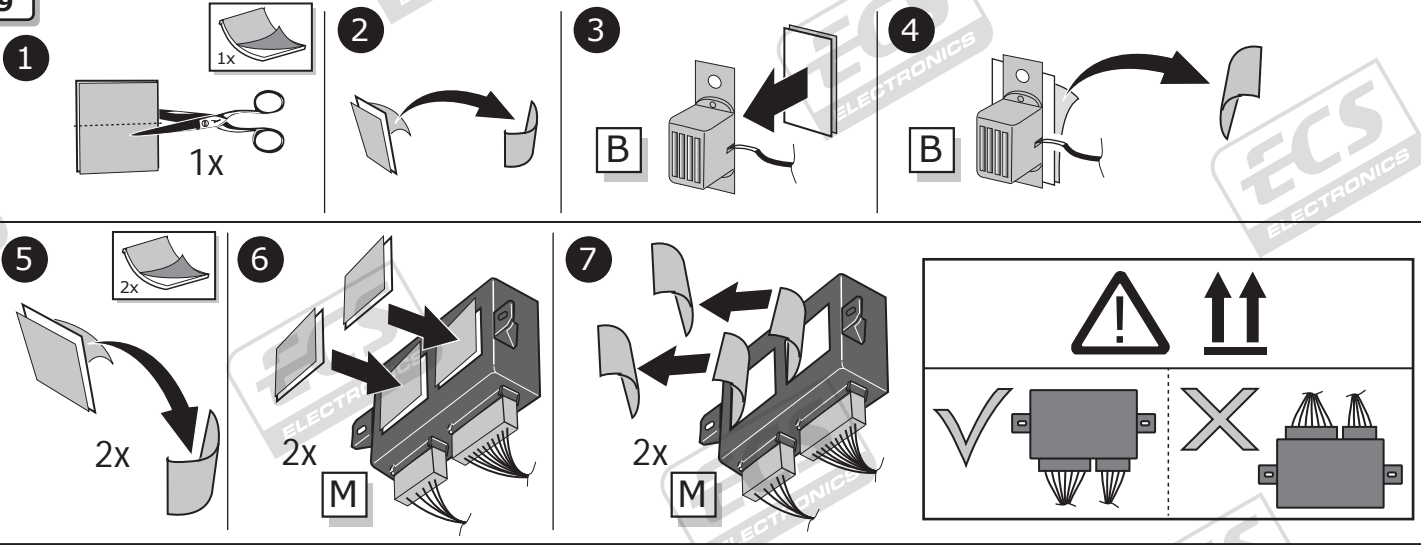


3-Doors & 5-Doors

8

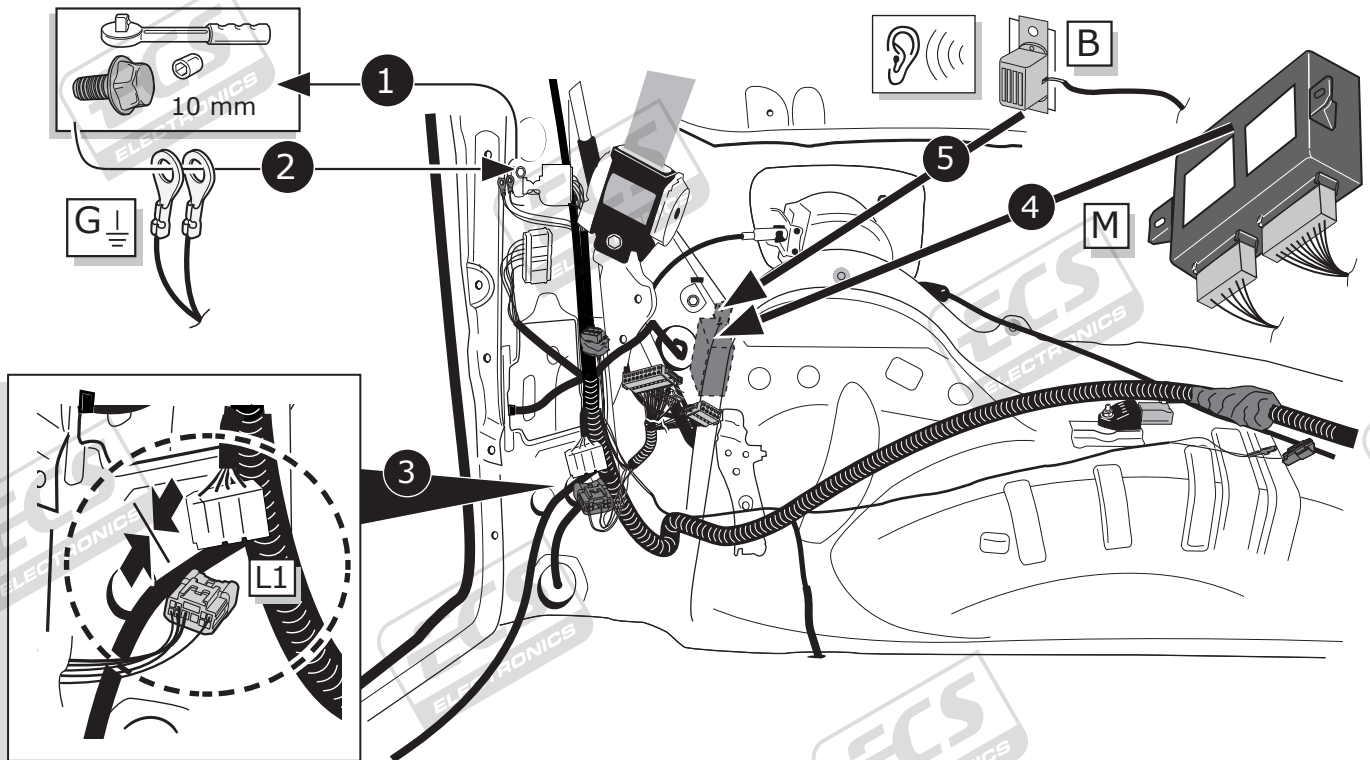


9



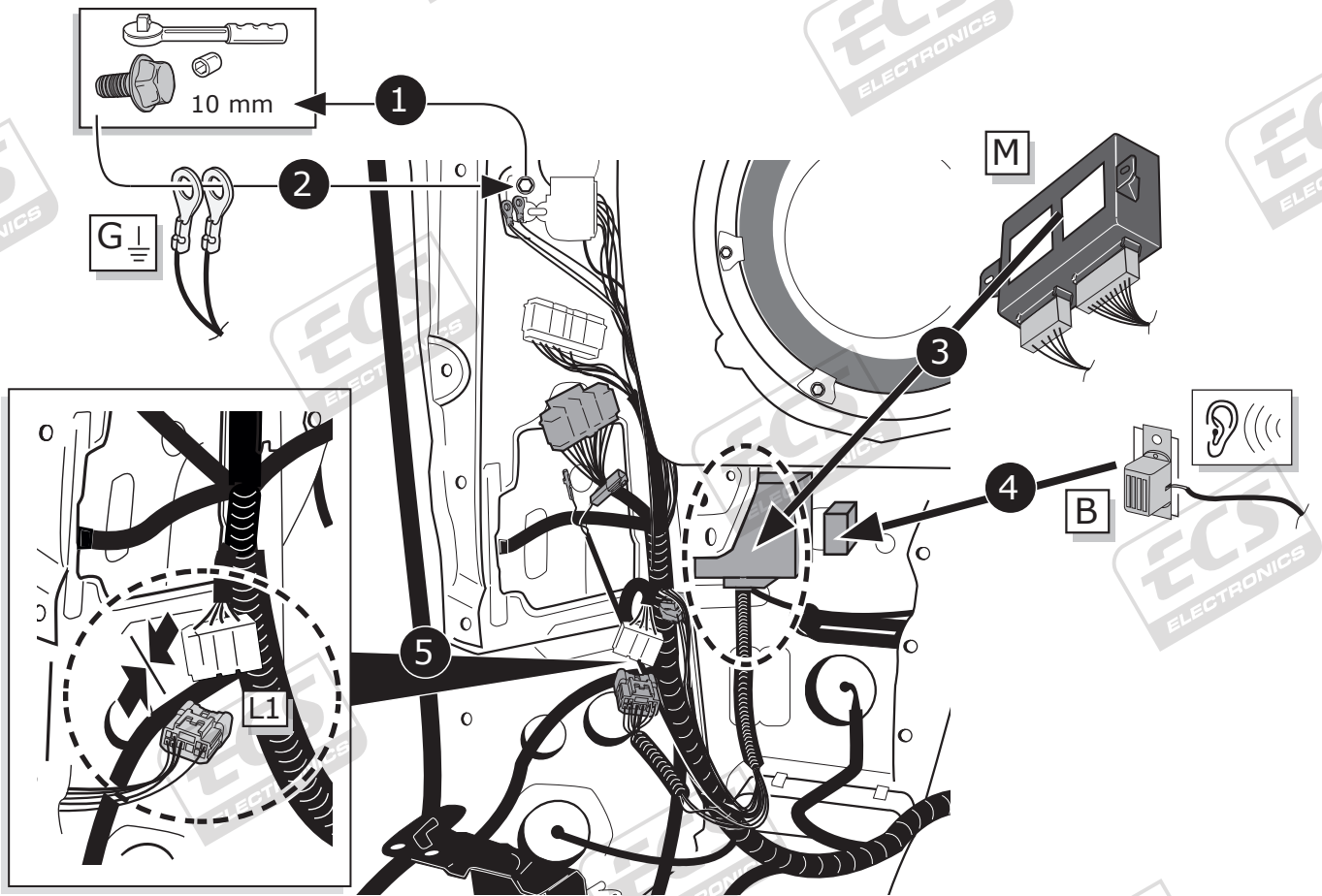
3-Doors

10



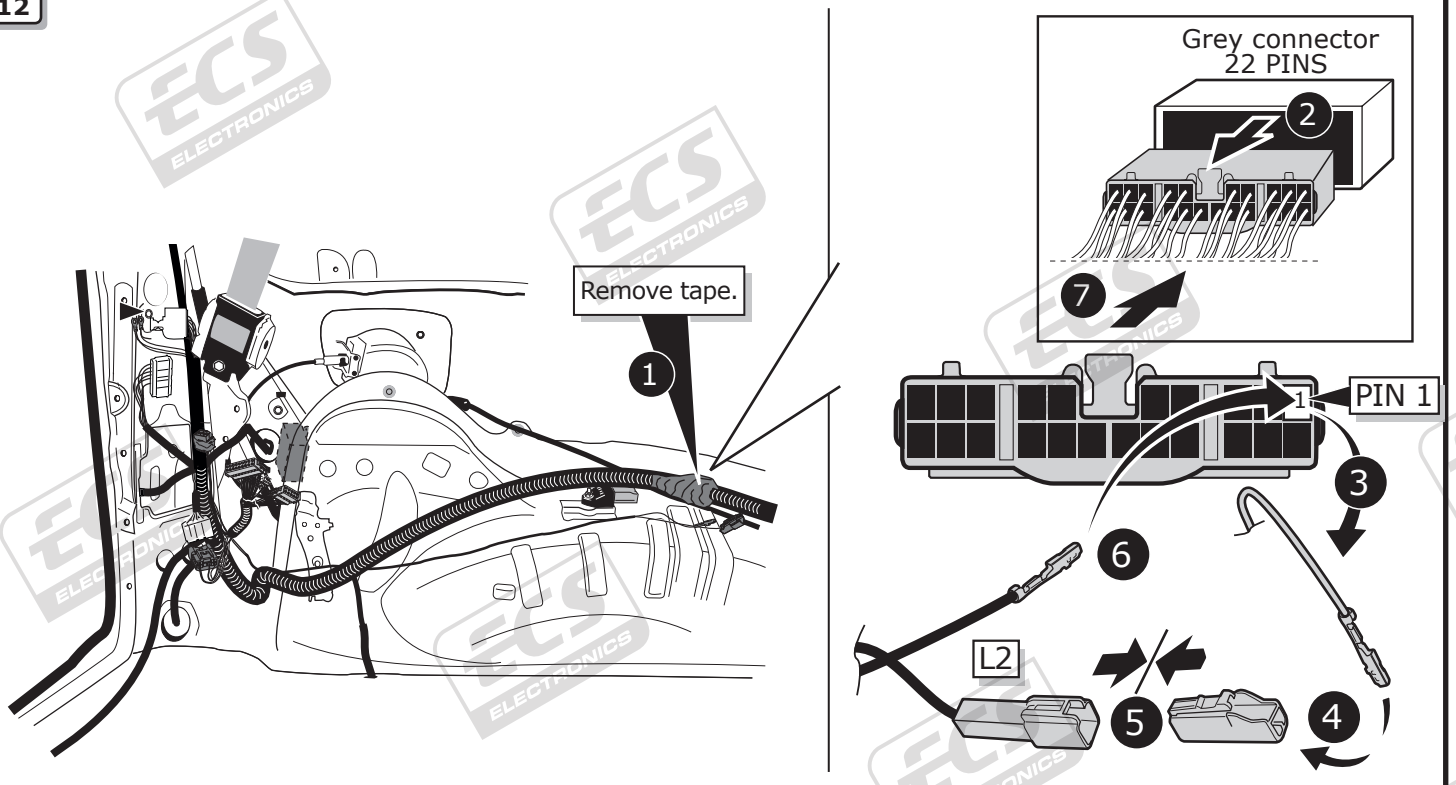
5-Doors

11



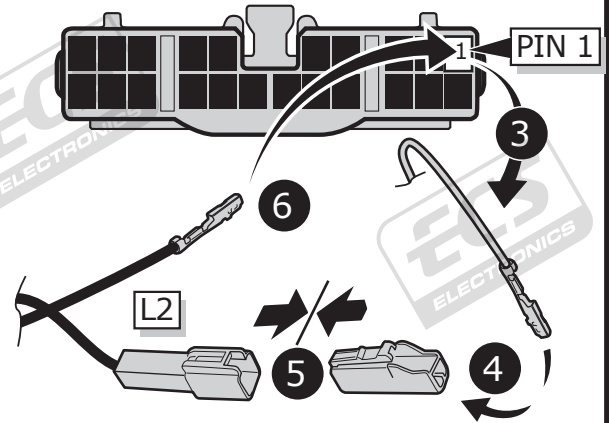
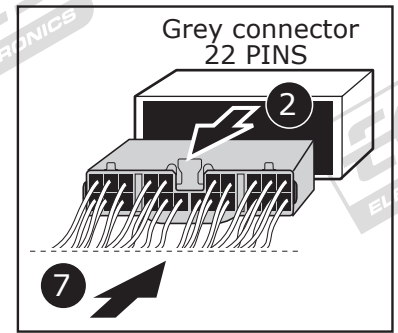
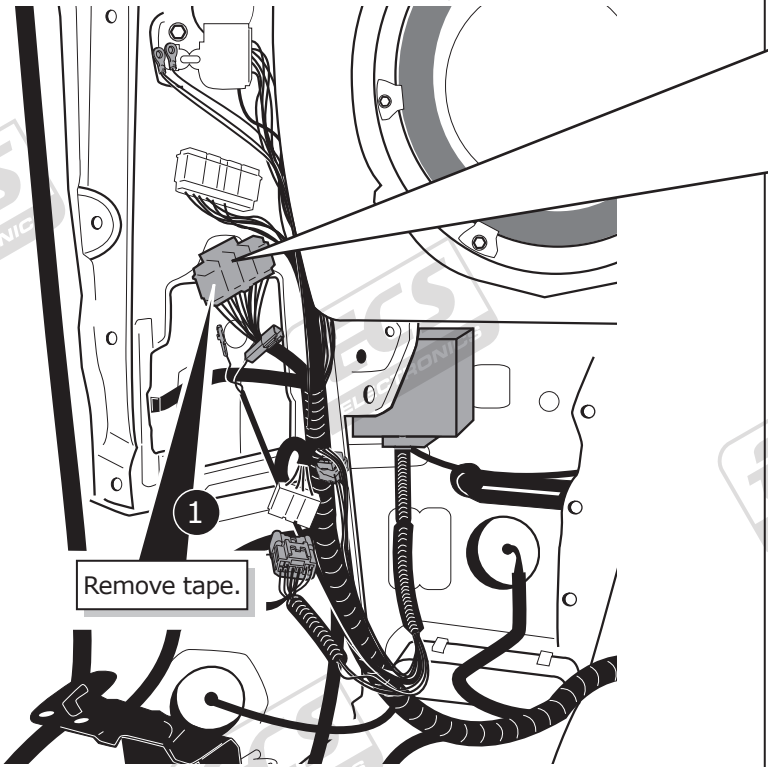
3-Doors

12



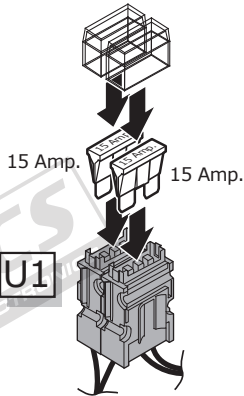
5-Doors

13

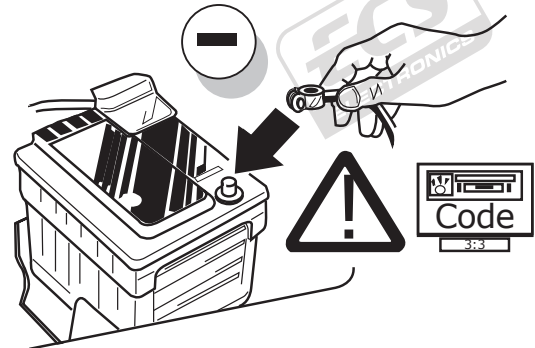


3-Doors & 5-Doors

14



15



16

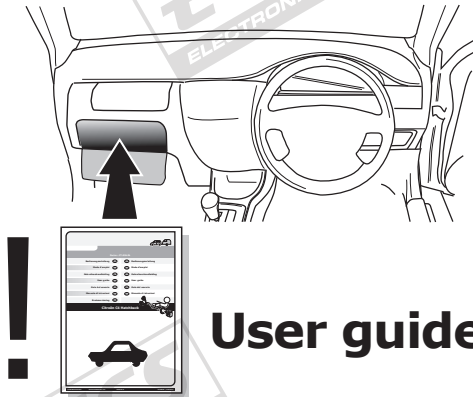
! TEST ALL THE CIRCUITS WITH A TEST DEVICE WITH THE CORRECT POWER LOAD FOR EACH FUNCTION. A TEST DEVICE WITH LED'S CANNOT BE USED FOR THIS PURPOSE.

3-Doors & 5-Doors

INFO

REINSTALL TRIM.

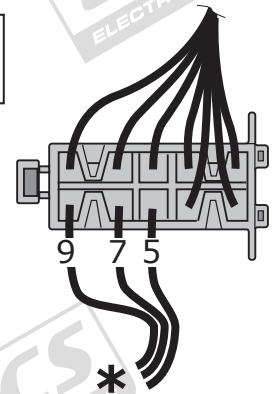
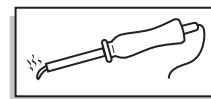
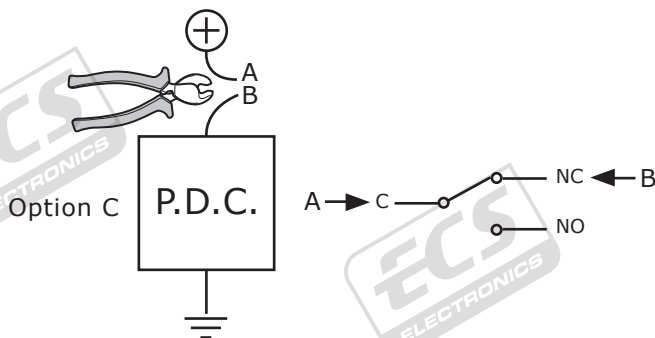
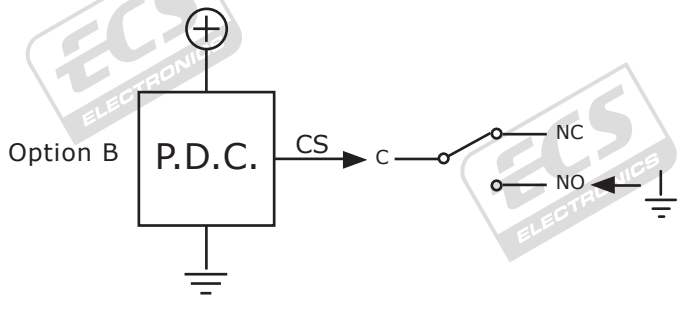
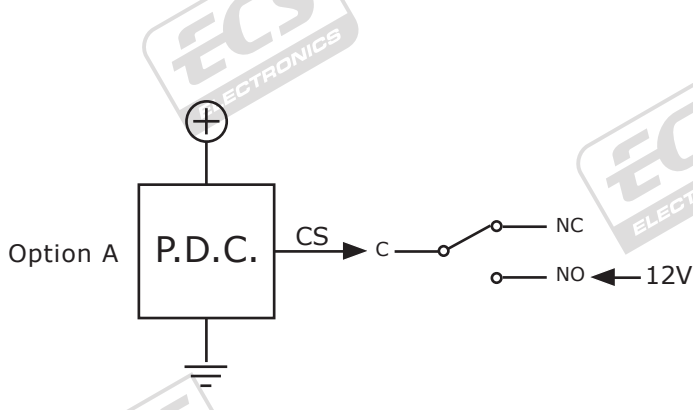
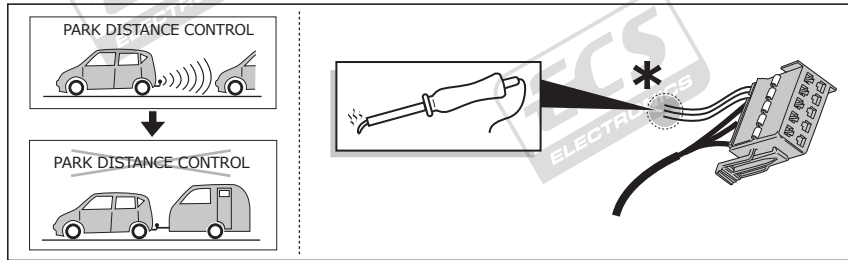
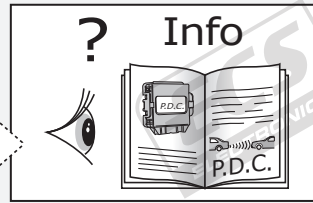
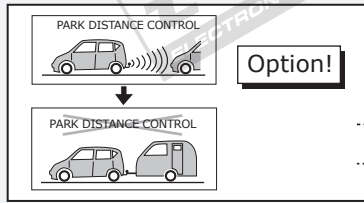
17



INFO

SOCKET CONNECTION

DIN/ISO 11446														
	1/L	2	3/31	4/R	5/58-R	6/54	7/58-L	8	9	10	11	12		13
Pmax	21W	2x21W		21W	52W	3x21W	52W	2x21W	180W/15Amp	180W/15Amp				
Colour	Yellow	Blue	White	Green	Brown	Red 1,00 mm ²	Black	Black/ Red	Brown/ White	Red 2,50 mm ²	White	-		White



9 = C Red/Black	7 = NC Blue/Black	5 = NO Blue/White
--------------------	----------------------	----------------------