

## Toyota Avensis Sedan & Wagon 11/2008-

Partnr.: TO-148-DHU

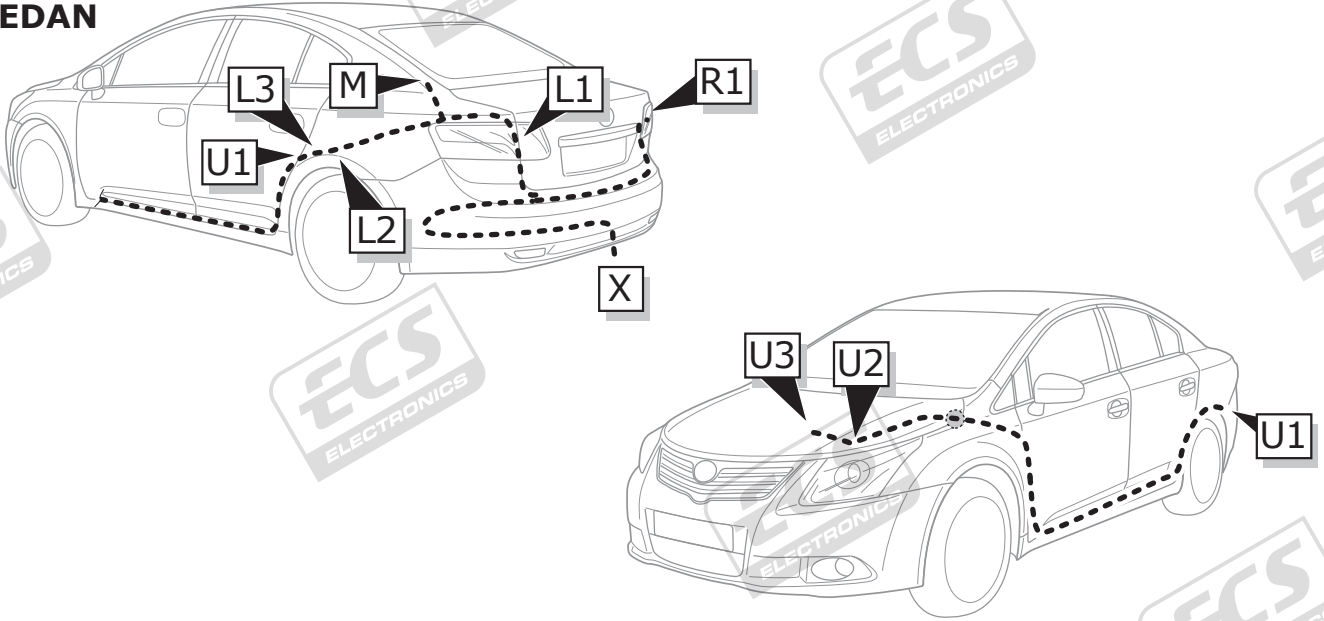
- Fitting instructions electric wiring kit tow bar with 13-P socket up to DIN/ISO Norm 11446.
- We would expressly point out that assembly not carried out properly by a competent installer will result in cancellation of any right to damage compensation, in particular those arising by virtue of the product liability act.
- Contents of these kits and their fitting manuals are subject to alteration without notice, please ensure that these instructions are read and fully understood before commencing installation.
- Do not overload circuits; the maximum loads per connection are detailed in this manual.
- Attention! Before Installation, please read this manual carefully and inform your customer to consult the vehicle owners manual to check for any vehicle modifications required before towing.
- In the event of functional problems, troubleshooting must be limited to about 0.5 hours, contact the technical support:  
[t.skinner@ecs-electronics.com](mailto:t.skinner@ecs-electronics.com) / 07440 202 052.



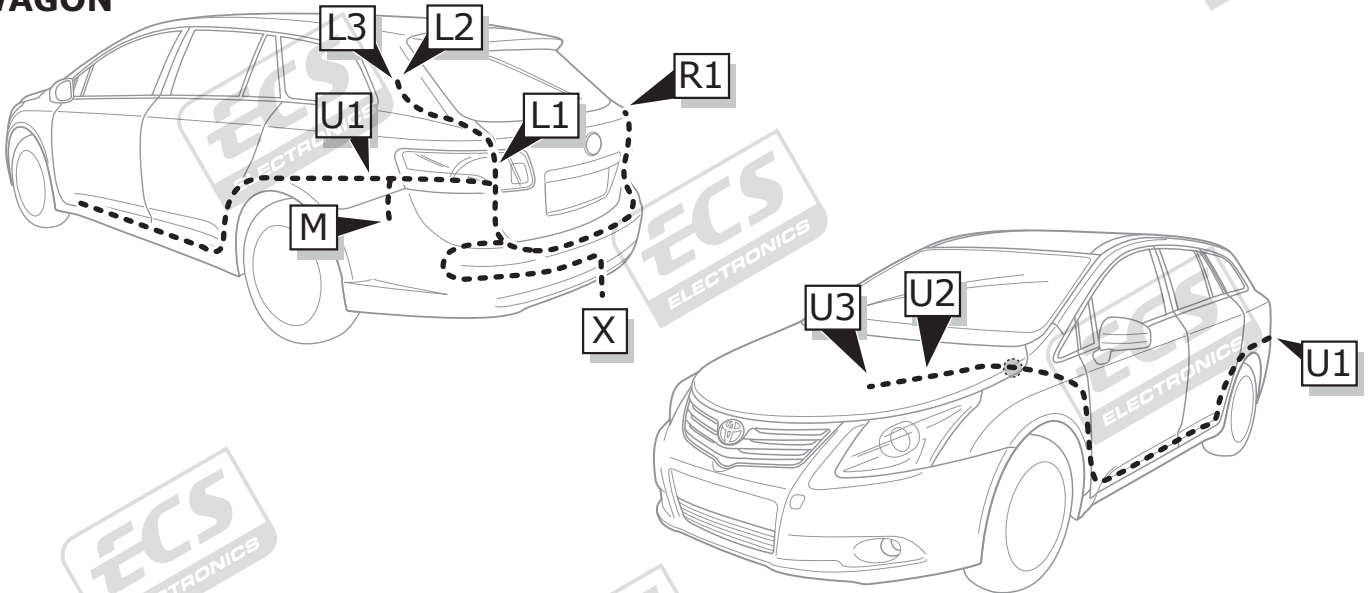


**ROUTING**

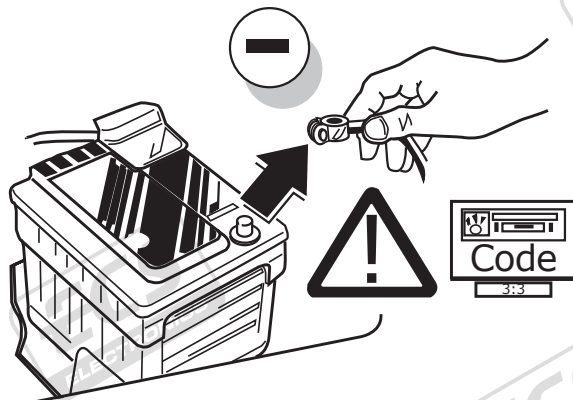
**SEDAN**



**WAGON**

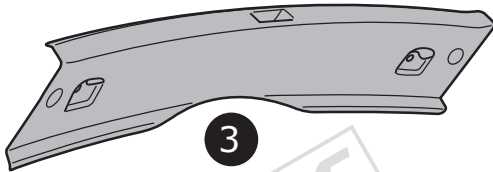
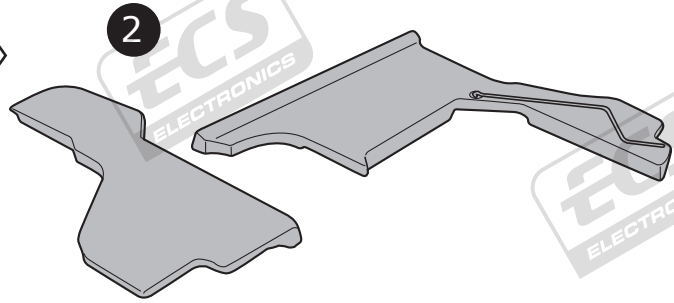
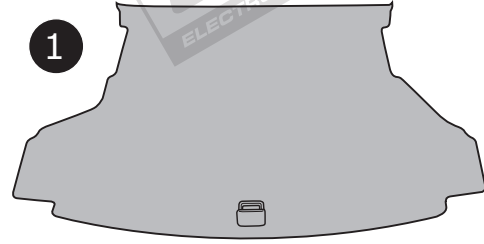
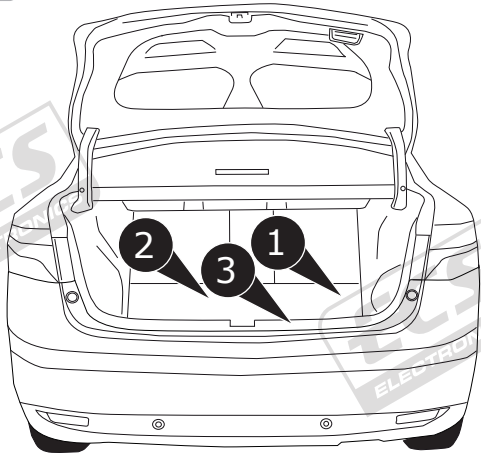


**1**



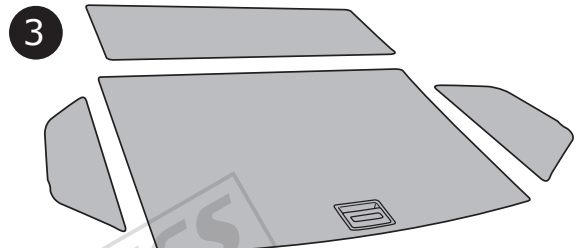
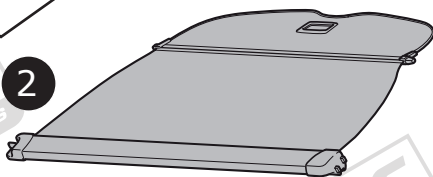
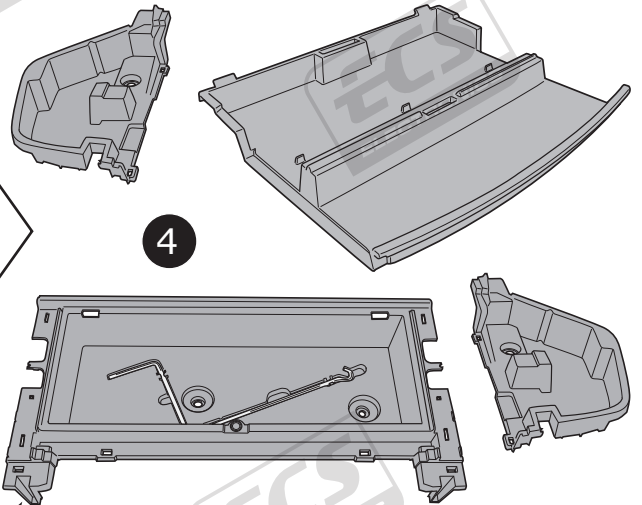
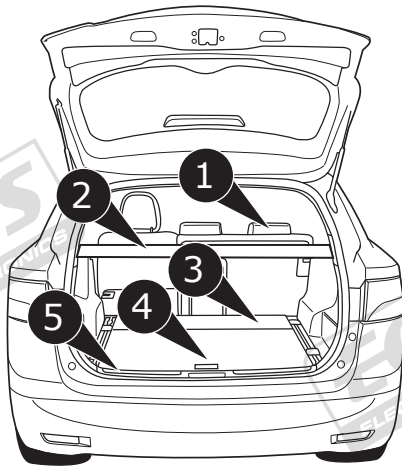
# SEDAN

2



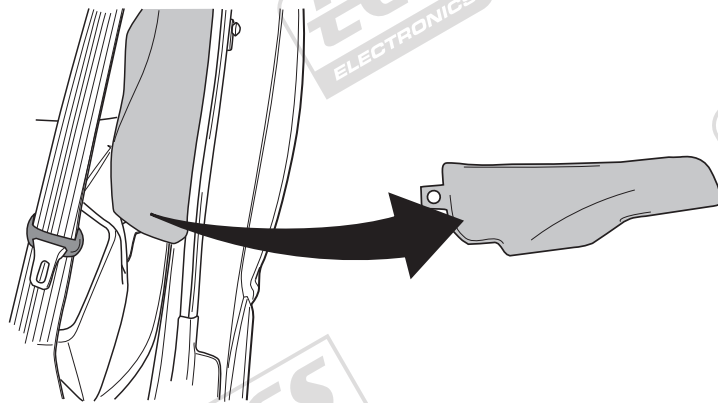
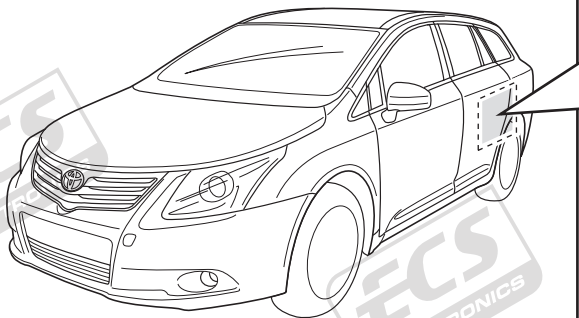
# WAGON

3



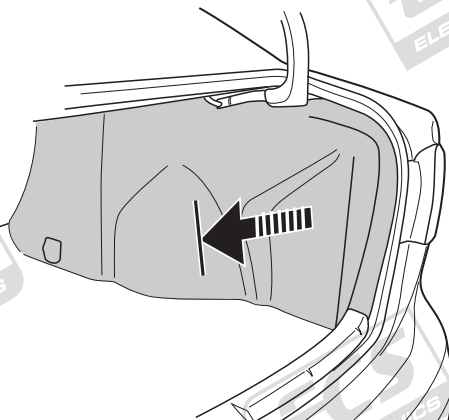
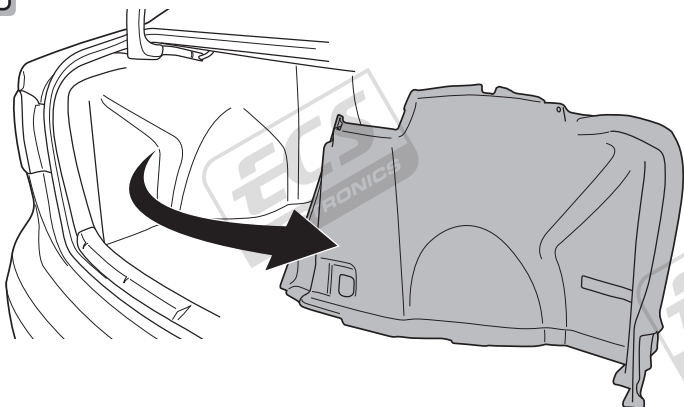
## SEDAN & WAGON

4



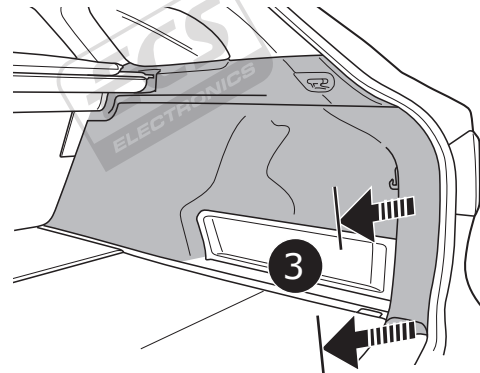
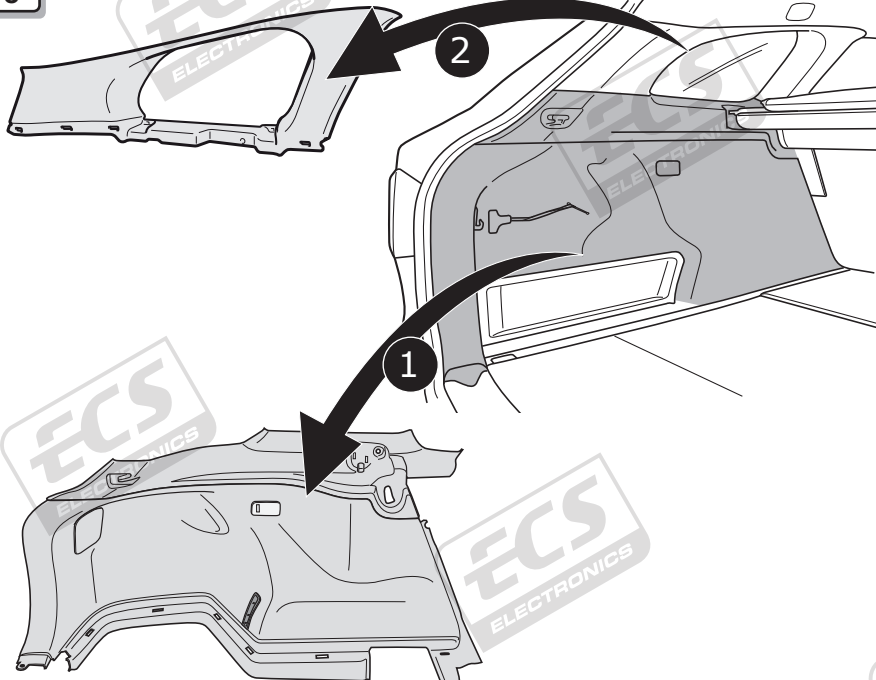
## SEDAN

5



## WAGON

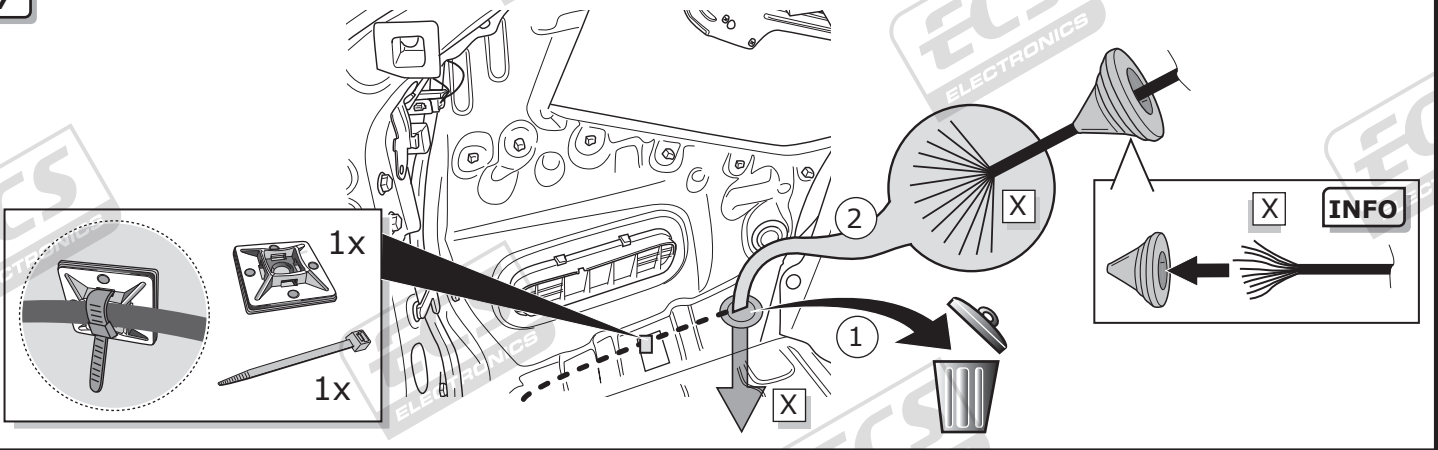
6





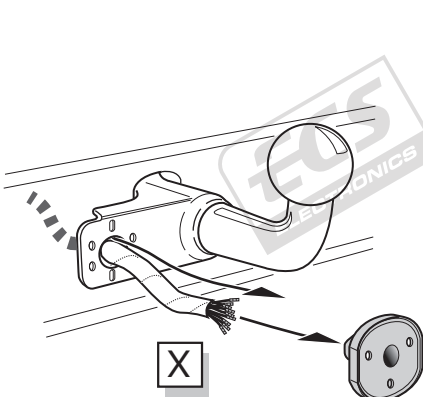
# SEDAN & WAGON

7

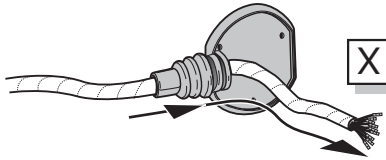


A

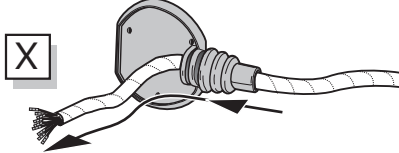
Option 1



Option 2



Option 3



INFO

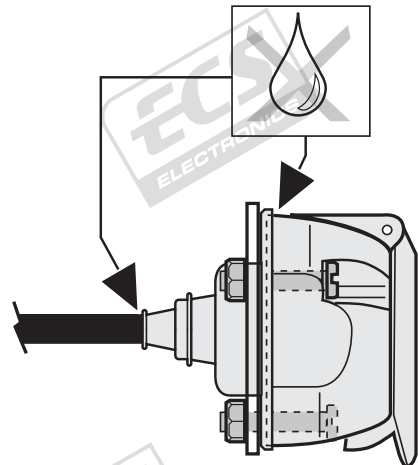
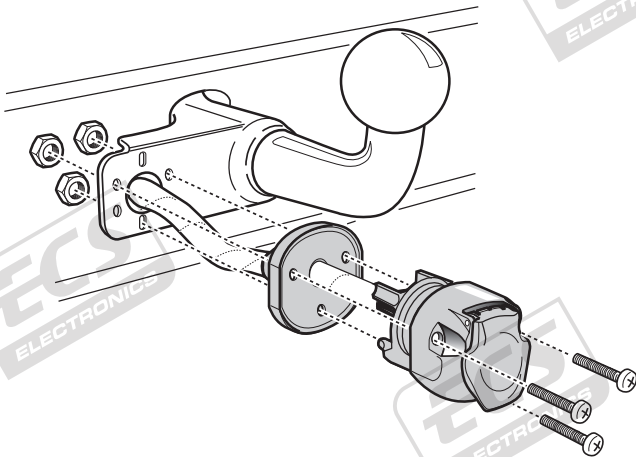
SOCKET CONNECTION



Pag. 13

B

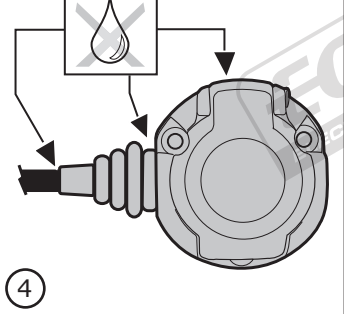
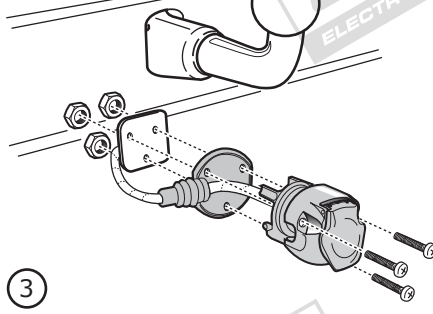
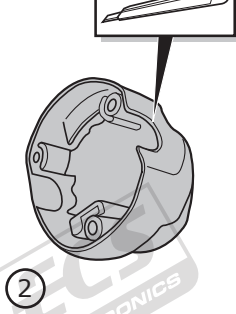
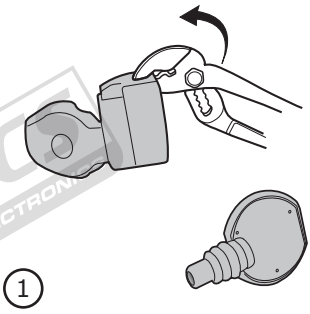
Option 1



SEDAN & WAGON

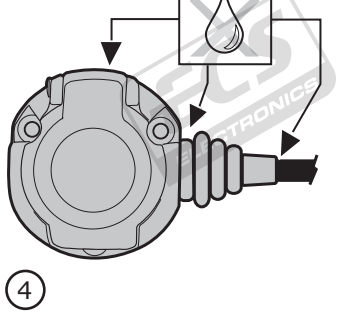
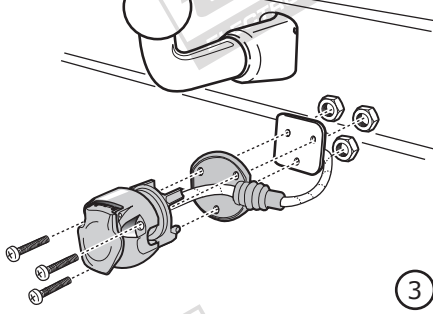
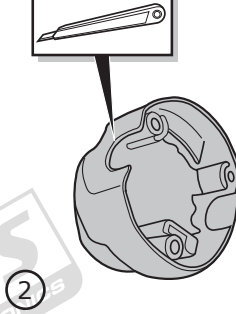
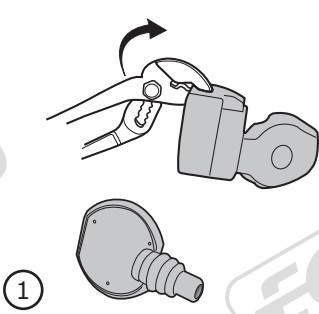
C

Option 2

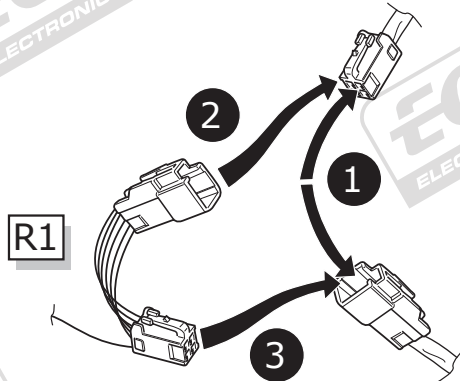
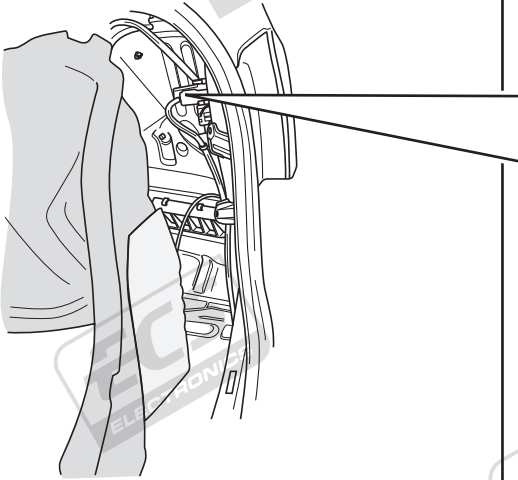


D

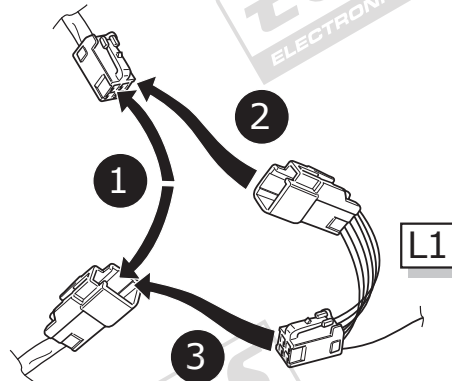
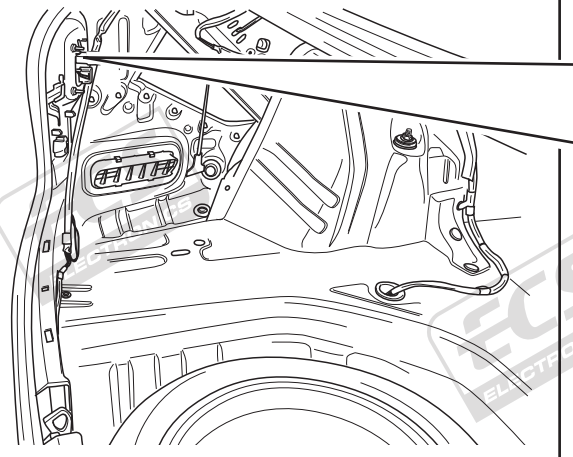
Option 3



8

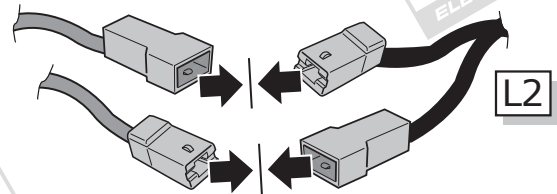
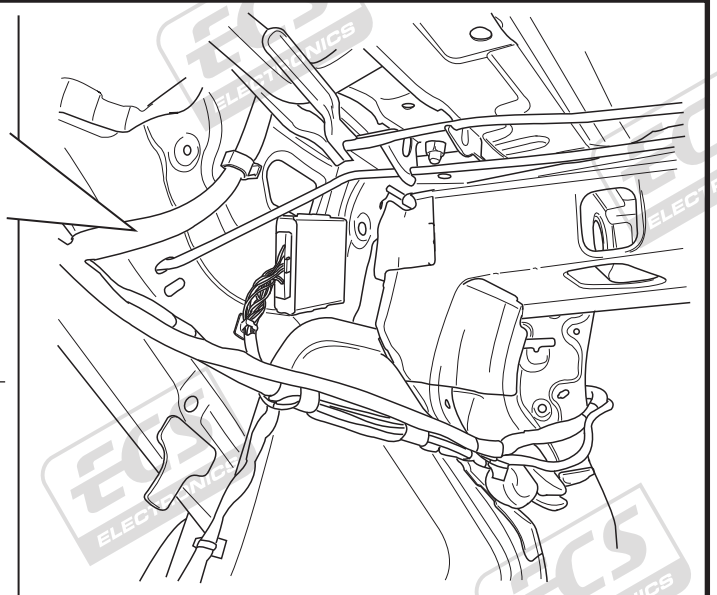
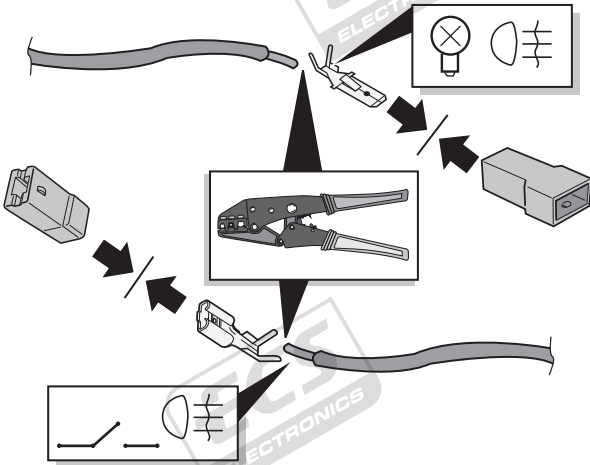
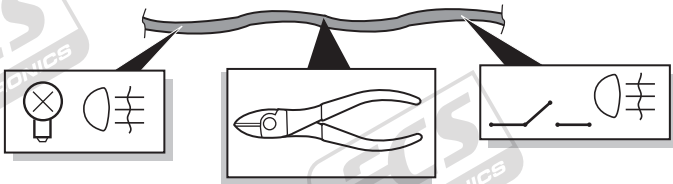
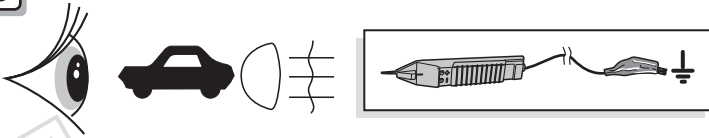


9



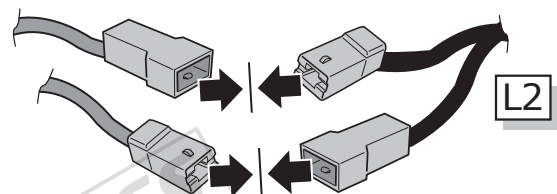
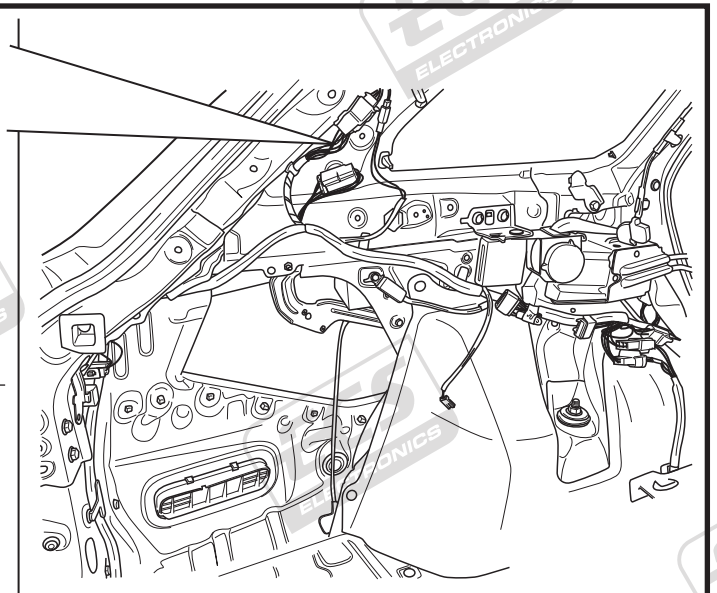
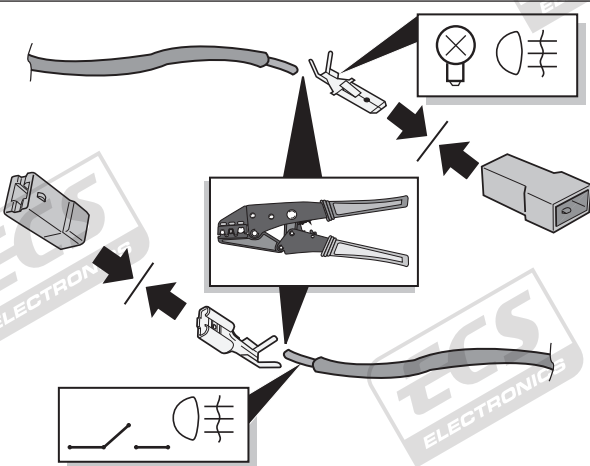
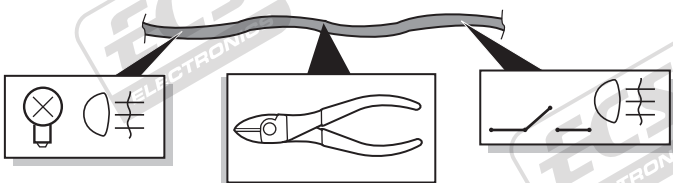
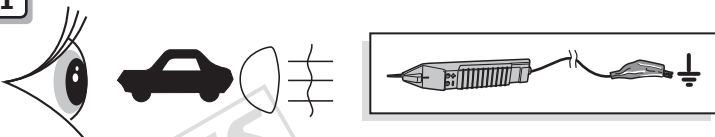
# SEDAN

10



# WAGON

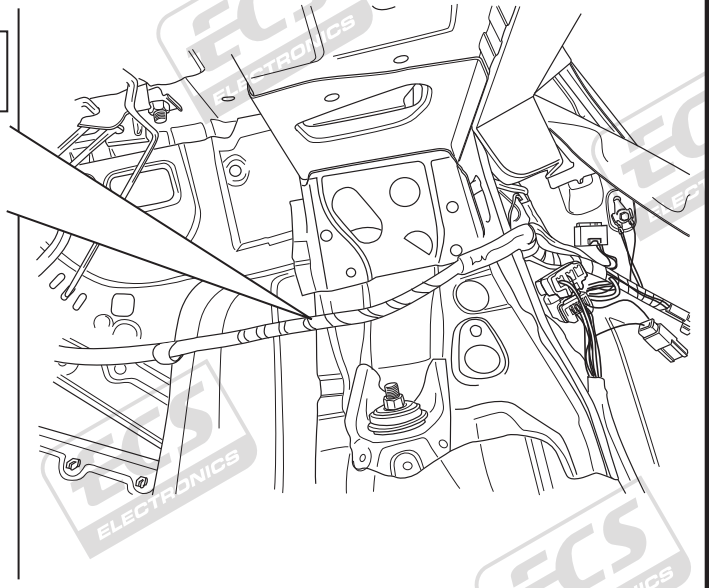
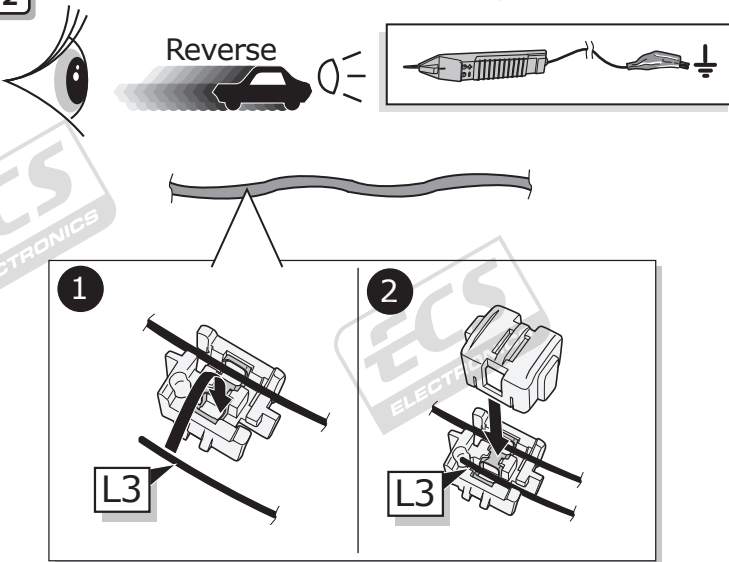
11





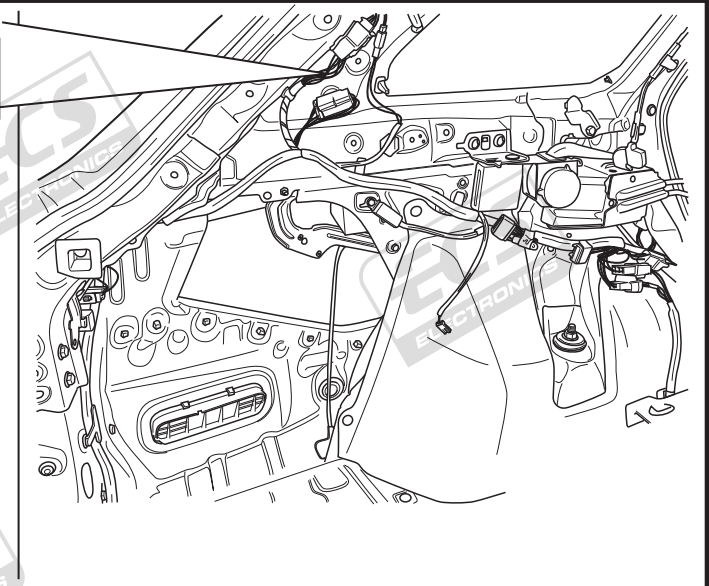
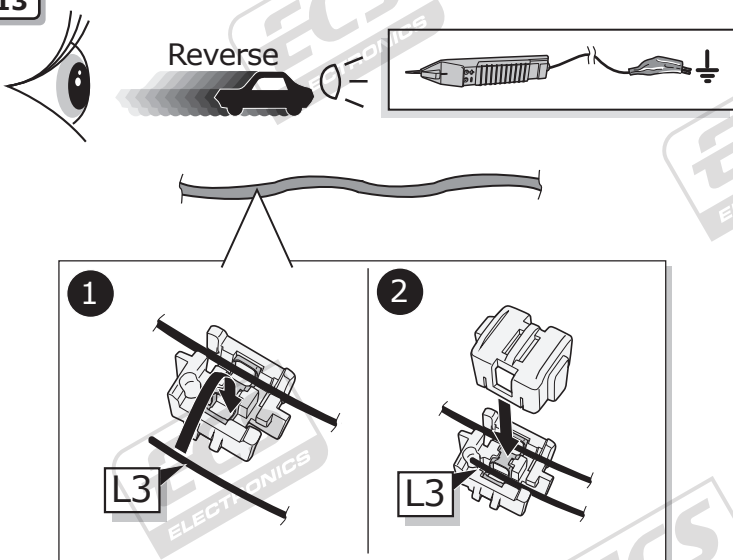
# SEDAN

12

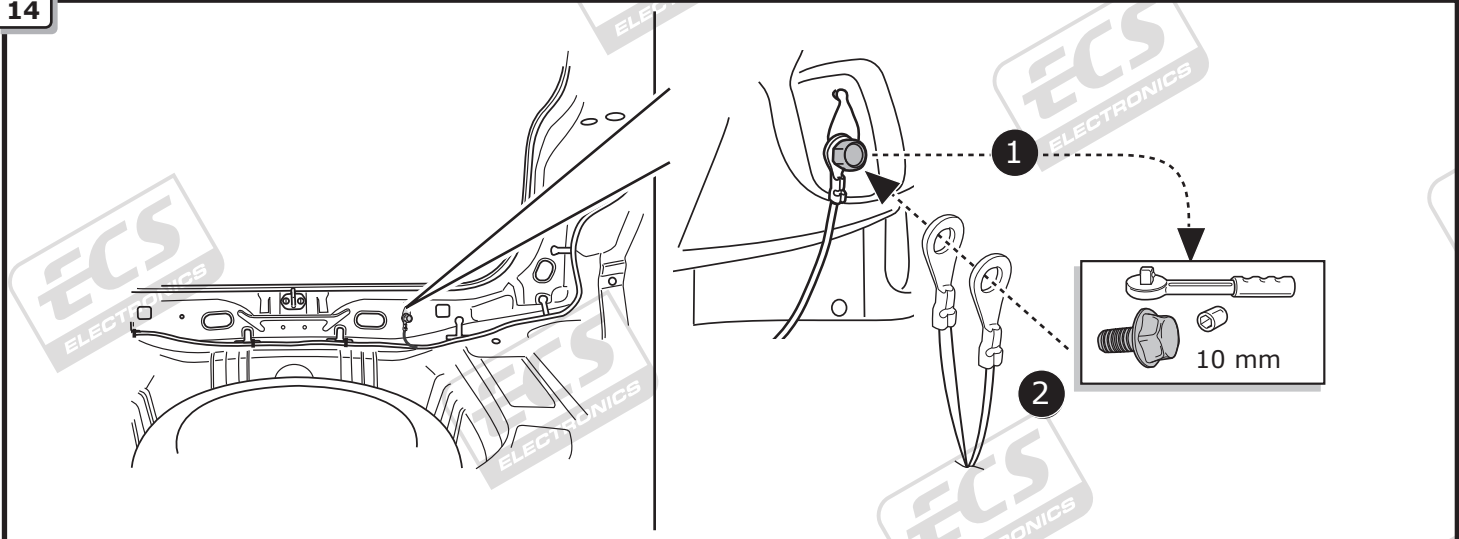


# WAGON

13

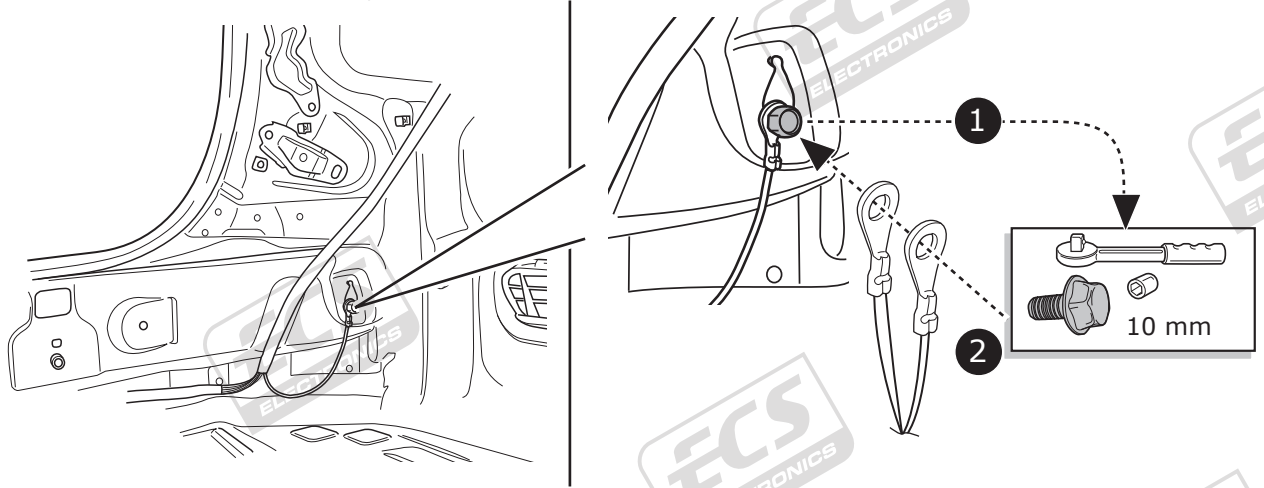


14



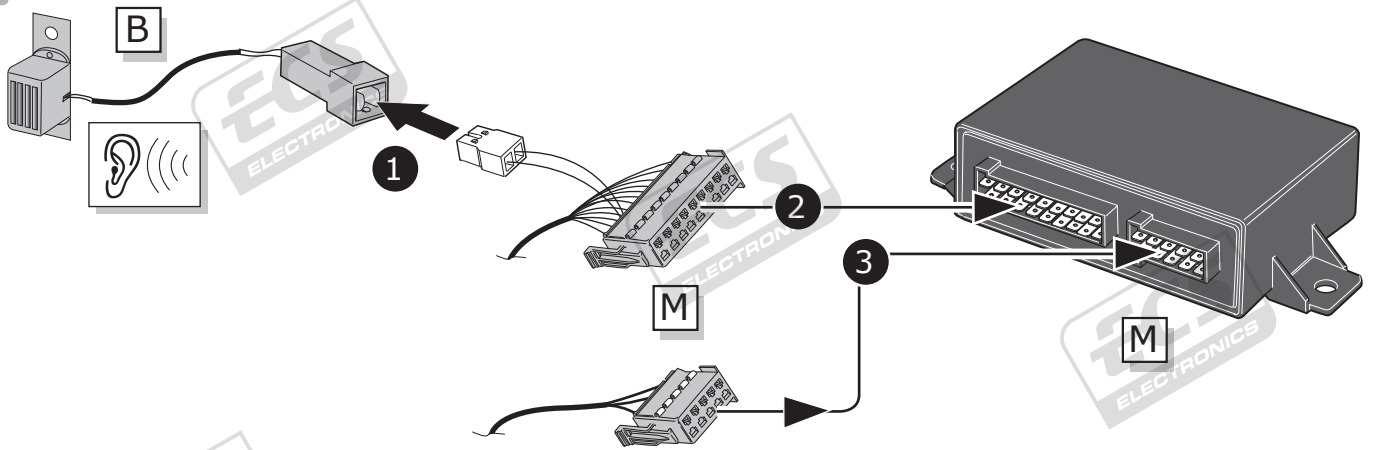
## SEDAN

15

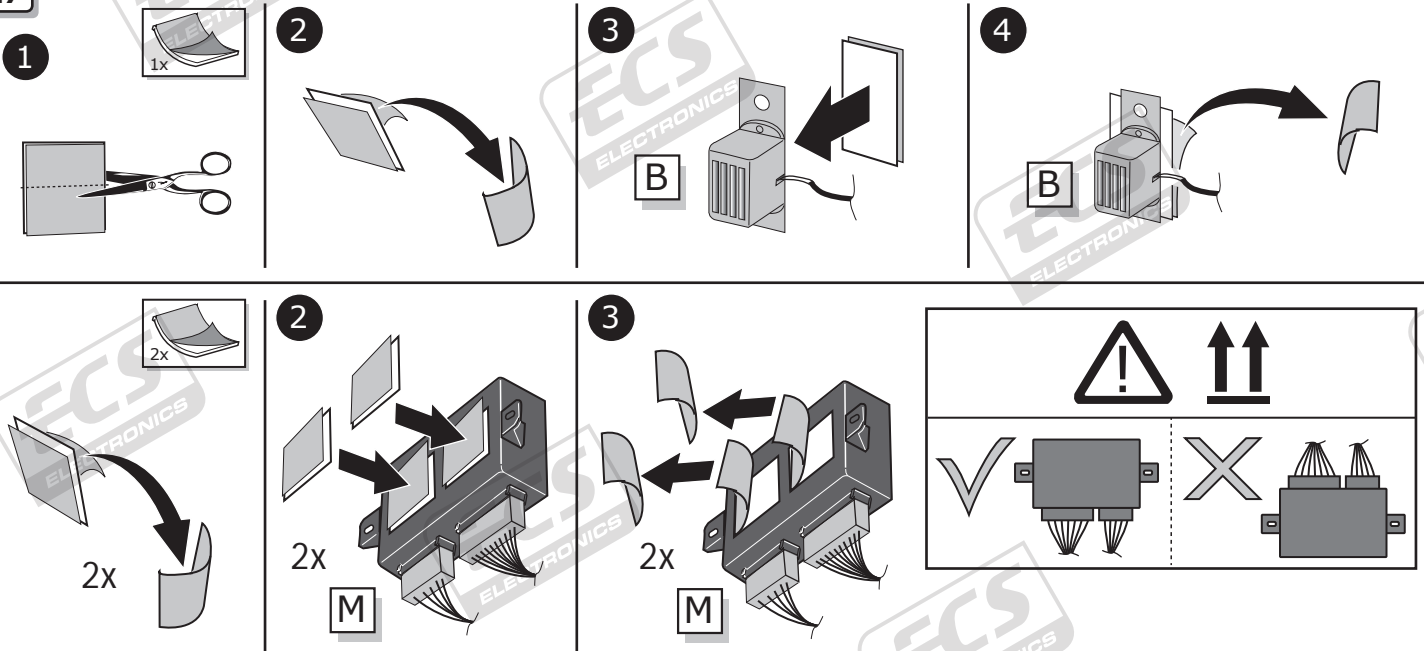


## SEDAN & WAGON

16

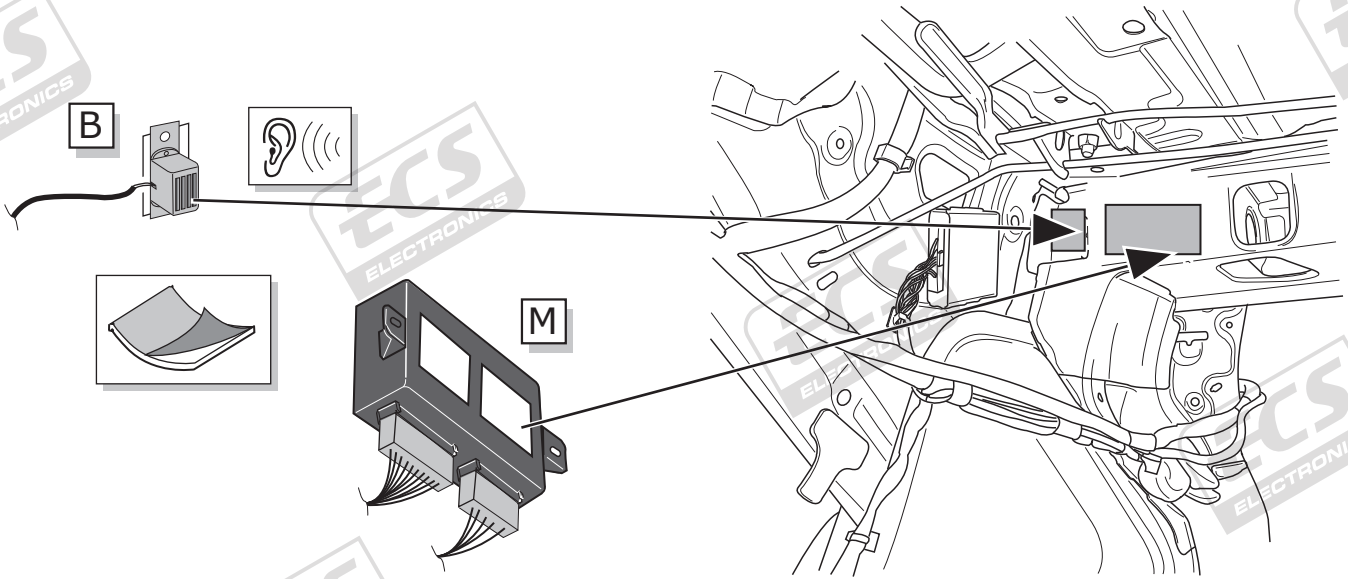


17



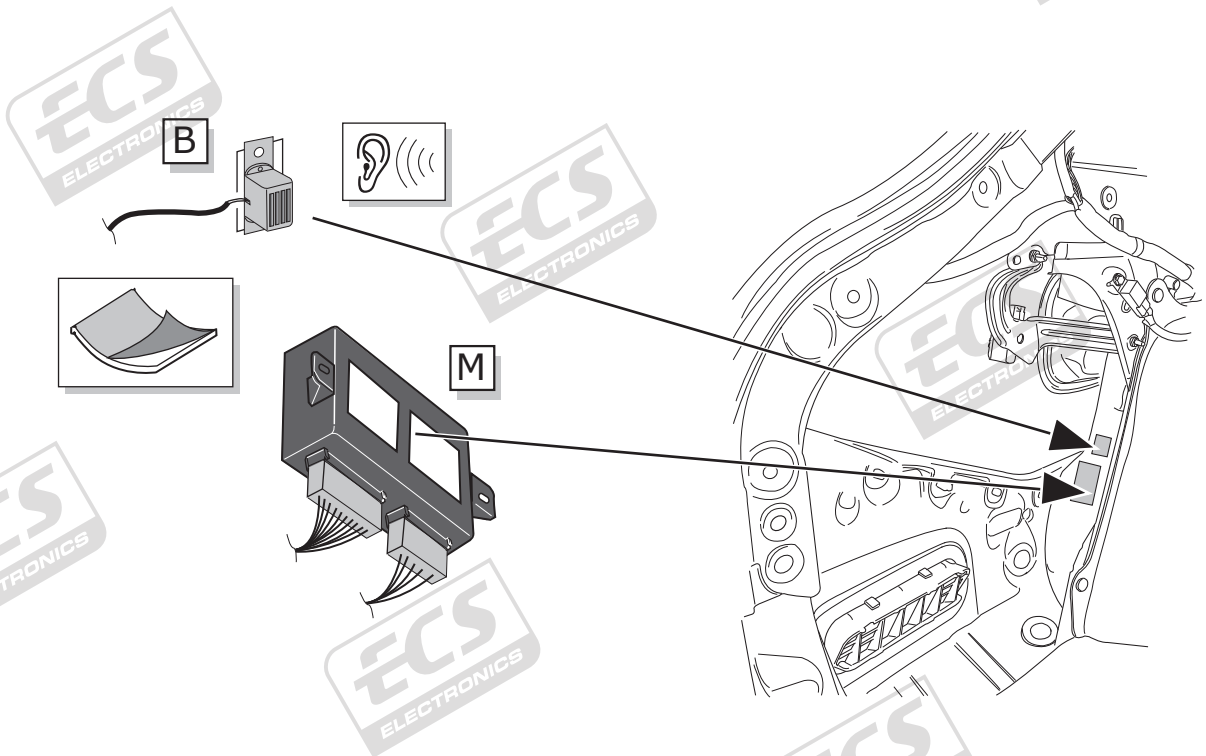
SEDAN

18



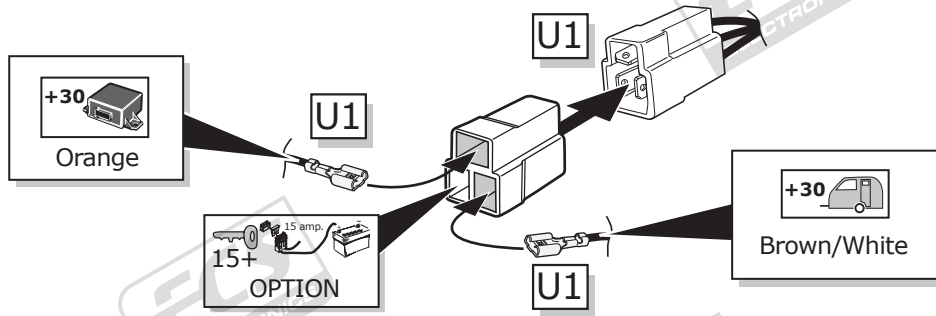
WAGON

19

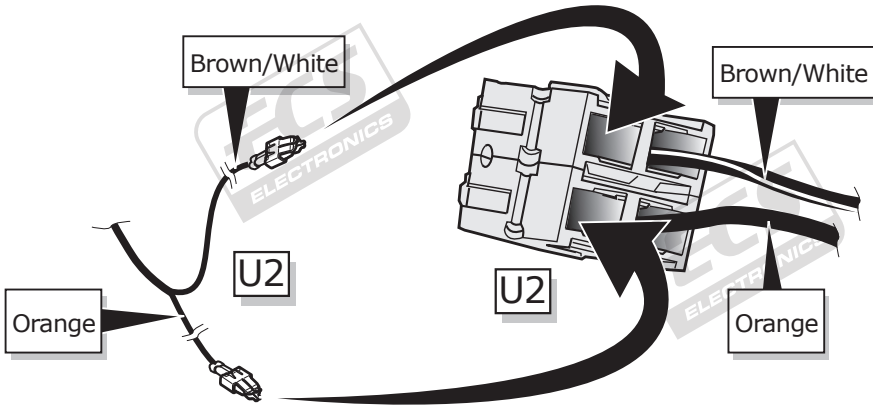


# SEDAN & WAGON

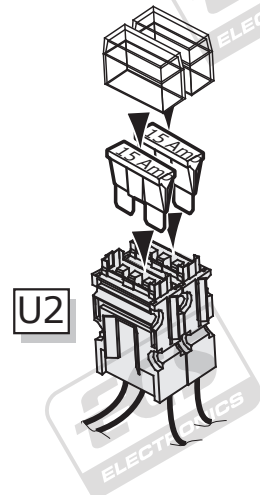
20



1

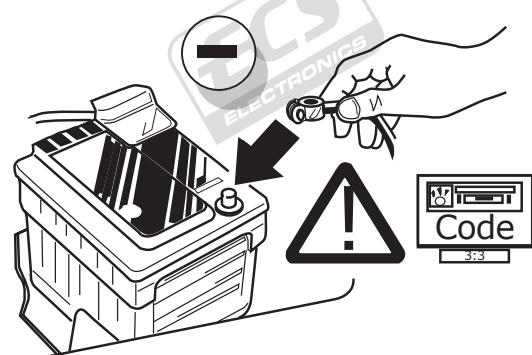
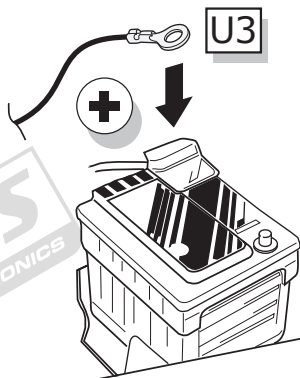


2



2

21



## SEDAN & WAGON

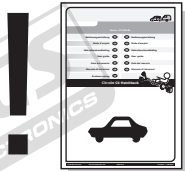
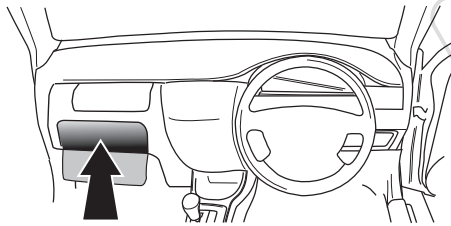
22

**!** TEST ALL THE CIRCUITS WITH A TEST DEVICE WITH THE CORRECT POWER LOAD FOR EACH FUNCTION. A TEST DEVICE WITH LED'S CANNOT BE USED FOR THIS PURPOSE.

INFO

REINSTALL TRIM.

23



**User guide**

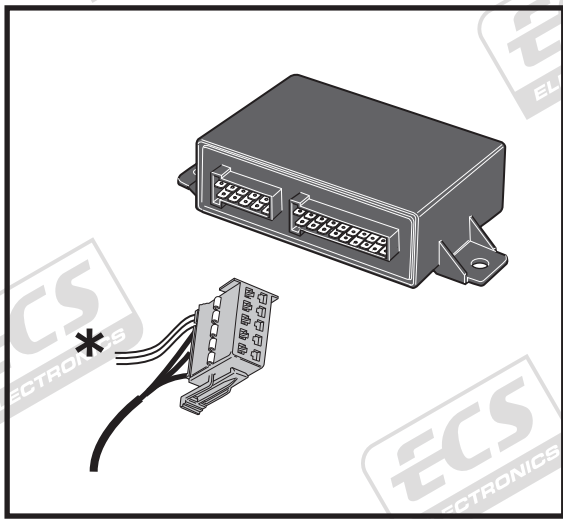


INFO

## SOCKET CONNECTION

DIN/ISO 11446												—	
	1/L	2	3/31	4/R	5/58-R	6/54	7/58-L	8	9	10	11	12	13
Pmax	21W	2x21W		21W	52W	3x21W	52W	2x21W	180W/15Amp	180W/15Amp			
Colour	Yellow	Blue	White	Green	Brown	Red 1,00 mm <sup>2</sup>	Black	Black/ Red	Brown/ White	Red 2,50 mm <sup>2</sup>	White	-	White





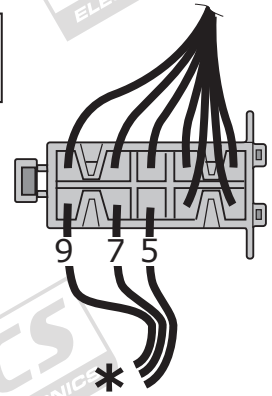
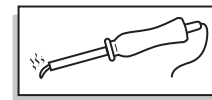
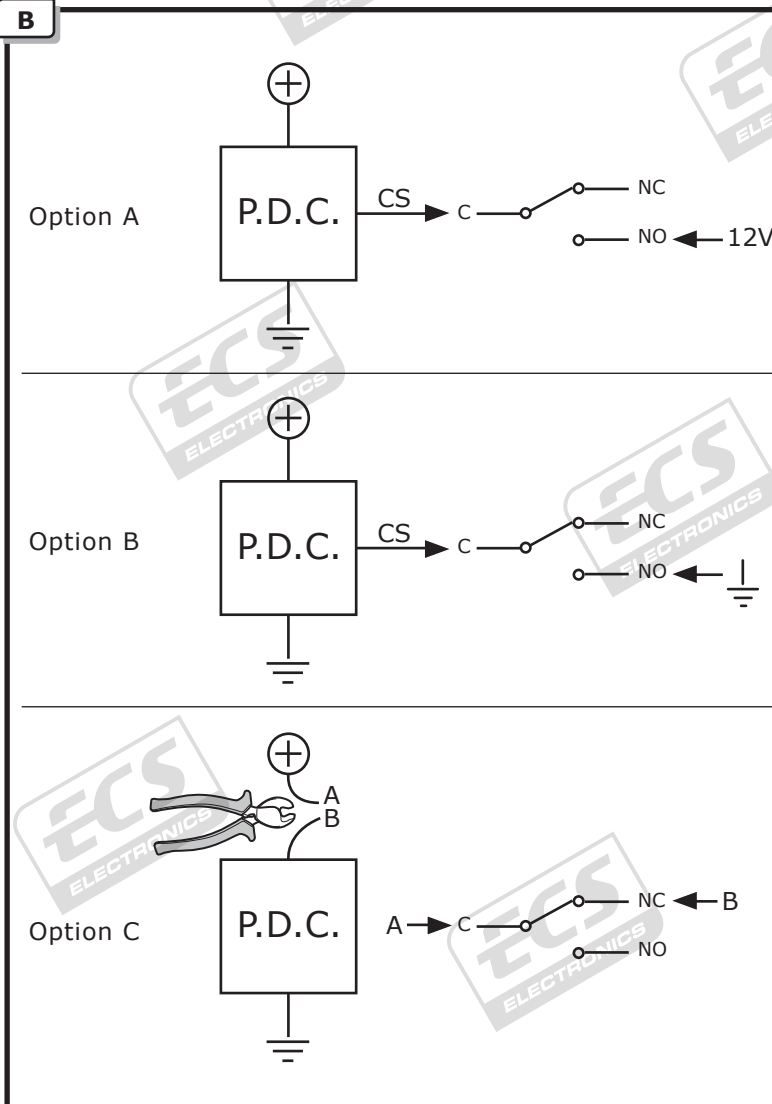
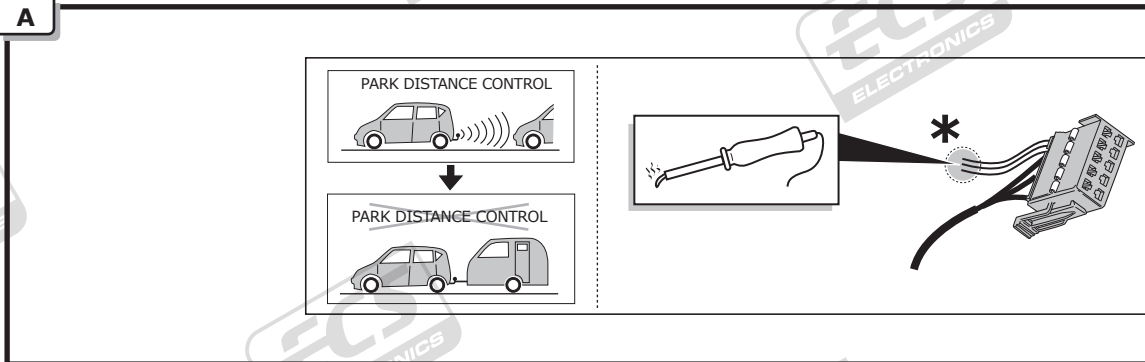
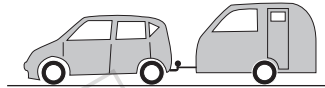
Option



PARK DISTANCE CONTROL



PARK DISTANCE CONTROL



9 = C Red/Black	7 = NC Blue/Black	5 = NO Blue/White
--------------------	----------------------	----------------------