

TNIS5SN Nissan X-Trail T33 (P33A) 2022>

Item	Qty	Description	Item	Qty	Description
A	1	TNIS5 Crossbar	E	1	VASP8/LH
B1	1	Left Hand Side Arm	F	2	M12 x 35 Serrated Flange Bolts
B2	1	Right Hand Side Arm	G	2	M12 x 35 Serrated Flange Bolts
C1	1	Left Hand Chassis Bracket	H	6	M12 x 30 x 1.25 Fine Pitch Bolts & S/P Washers
C2	1	Right Hand Chassis Bracket	J	4	M12 x 50 x 1.25 Fine Pitch Bolts & S/P Washers
D	1	T9209F Swan Neck	K	4	M12 x 50 (10.9) Bolts & Nyloc Nuts
			L	14	12 x 25 Flat Washers
			M	4	12 x 40 Flat Washers

Bumper Removal

1. Open tailgate and remove the four fixings from the around the opening.
2. Remove the six fixings from the lower edge of the bumper and unplug the two wiring looms from the o/s rear corner.
3. Remove the one fixing in the wheel arch trim, then peel back to gain access to the wheel arch trim clips and fully remove the wheel arch trim.
4. Remove the two fixings now revealed from each side.
5. Pull the bumper out sideways and rearwards to remove.
6. Remove the rear impact beam, five fixings each side, these fixings will be replaced in the rear panel later in the installation.

Note: This beam will not be refitted with the Towbar assembly.

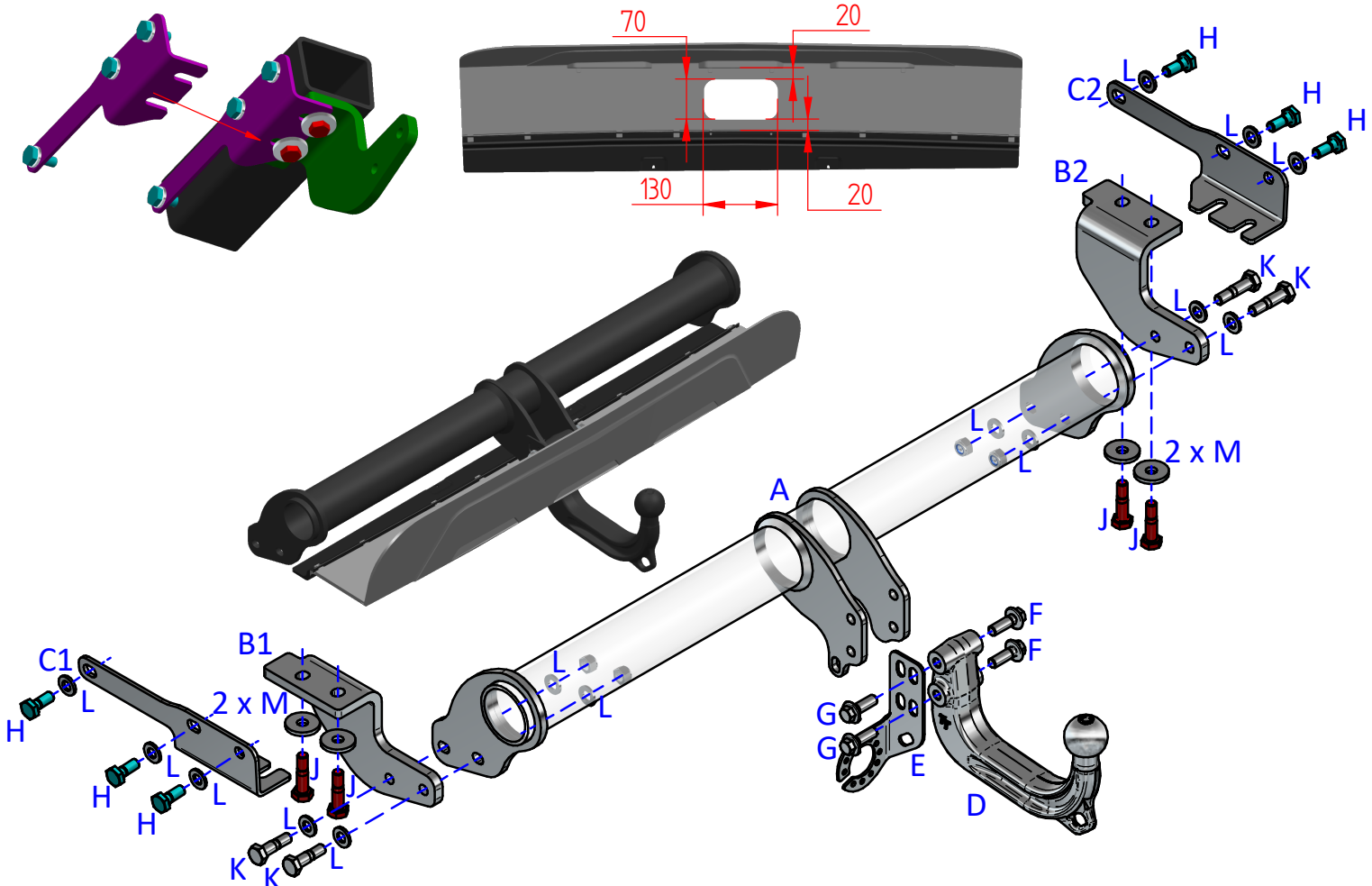
Towbar Installation

Note: Use Figure 1 as a guide for the first two steps of these instructions.

1. Loosely fix items **B1** and **B2** to each chassis rail using items **J** with items **M** leaving a sufficient gap for the next stage.
2. Loosely fix items **C1** and **C2** to the outside face of each chassis rail using items **H** with items **L**.
3. Loosely fix item **A** to items **B1** and **B2** using items **K** with items **L**.
4. Fully tighten all fixings ensuring the Towbar is rigid, square, and secure.
5. Replace the rear impact beam fixings in rear panel and fully tighten.
6. Cut the bumper as shown in **Figure 2**. (**Note: Some models may require the re-location of the keyless entry cables**) and remount to the vehicle.
7. Loosely fix item **D** and item **E** to item **A** using items **F** and items **G**.
8. Fully tighten all the remaining fixings.

Figure 1

Figure 2



Notes:

1. For Torque settings see general notes overleaf.
2. Nose load limits and vehicle manufacturer's trailer / caravan weight limits must be observed.
3. We recommend the use of PRO-TOW Couplings with all our products.