

TNIS3 Nissan Qashqai 2021>

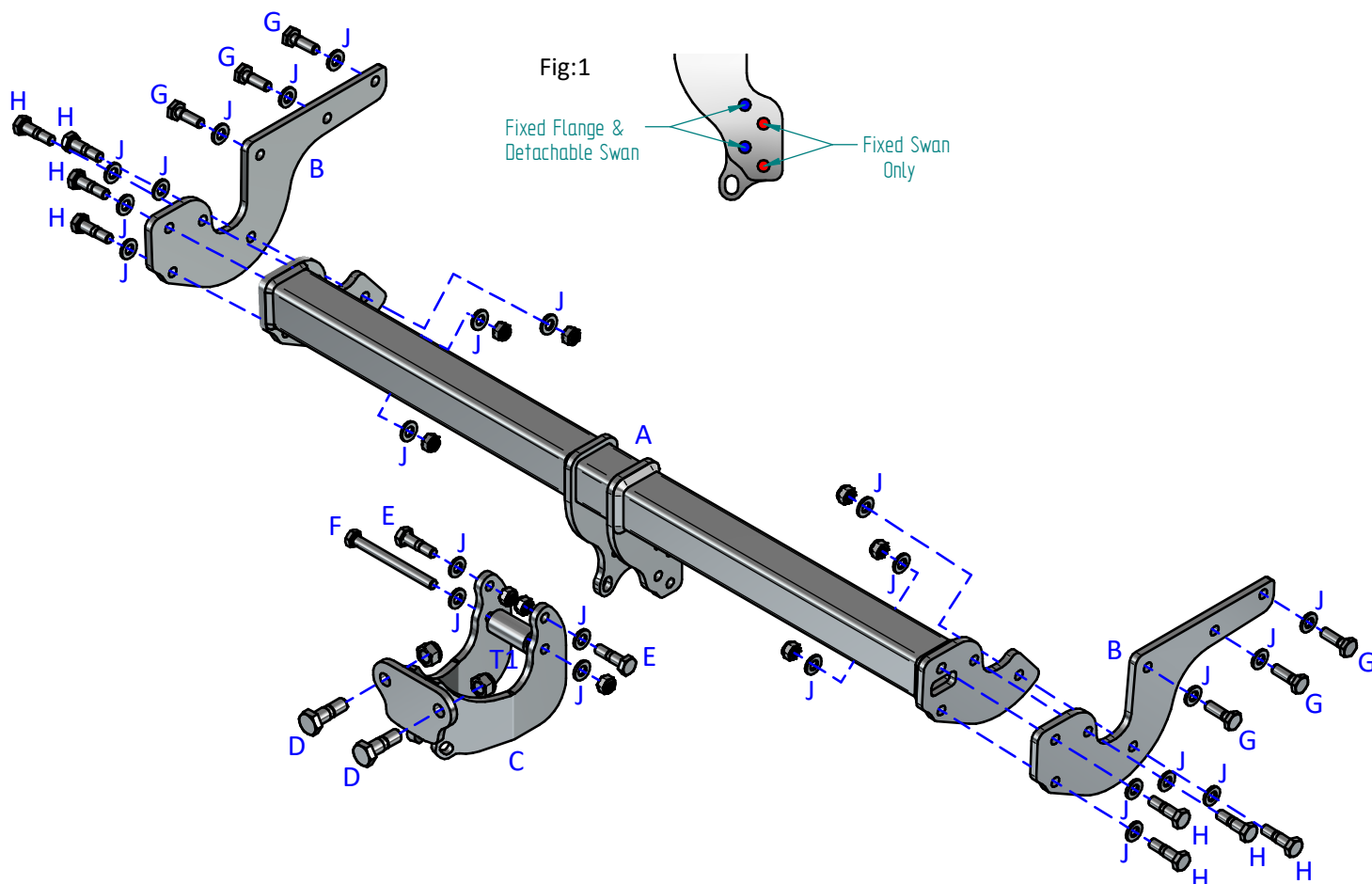
Item	Qty	Description	Item	Qty	Description
A	1	TNIS3 Crossbar	D	2	M16 x 50 Bolts & Nyloc Nuts
B	2	Side Arm	E	2	M12 x 45 Bolts & Nyloc Nuts
C	1	Extension	F	1	M12 x 130 Bolt & Nyloc Nut
			G	6	M12 x 35 x 1.25 Bolts & S/P Washers
			H	8	M12 x 45 Bolts, 2 S/P Washers & 6 Nyloc Nuts
			J	24	12 x 25 Flat Washers
			T1	1	30mm O/D x 60mm Long Spacer Tube

Bumper Removal

1. Open tailgate and remove two fixings each side of the boot opening.
2. Peel back arch liner to access wheel arch trim clips, then release the trim from the body/bumper and remove the tip screw from each side.
3. Remove the four fixings from the bumper lower edge.
4. Unplug the wiring looms from the offside corner then release the wiring looms from the body.
5. Release the bumper by pulling out sideways then rearwards.
6. Remove the rear impact beam, five fixings each side (this is not refitted with the towbar assembly), then replace the fixings to prevent water ingress.

Towbar Installation.

1. Using Items G with Items J fix Items B to each chassis member.
2. Fix Item A to Items B using Items H with Items J.
3. Fully tighten all fixings ensuring the Towbar is rigid, square and secure.
4. Refit the bumper.
5. Fix Item C to Item A using Items E with Items J and Item F with Items J to the correct position (Fig:1) ensuring Item T1 is fitted between the lower mounting point.
6. Using Item D fix your desired ball bracket and wiring plate (Not supplied in this kit) to Item C.
7. Fully tighten remaining fixings.



Notes:

1. For Torque settings see general notes overleaf.
2. Nose load limits and vehicle manufacturer's trailer / caravan weight limits must be observed