



Tow-Trust Towbars

Important: Please read General Notes overleaf before fitting



Issue 1

TNIS2HK NISSAN EL GRAND (E51)

Item	Qty	Description	Item	Qty	Description
A	1	TNIS2 Crossmember	F	1	M12 x 25 Bolts & S/P Washers
B	2	Handed Side Arms	G	4	M12 x 130 Bolts, 2 Nyloc Nuts & 2 S/P Washers
C	1	2040 ACS Detachable Neck	H	2	M8 x 35 Bolts (10.9) & S/P Washers
D	2	19mm O/D Tube, 94mm Long	J	4	M12 x 35 Bolts, 2 Nuts & 2 S/P Washers
E	2	M12 Clamp Plates	K	3	M12 x 22 Bolts & S/P Washers
			L	6	12 x 40 Flat Washers
			M	2	8 x 25 H/D Flat Washers
			N	8	12 x 25 Flat washers
			P	1	Socket Plate 1

TOWBAR INSTALLATION:

1. Lower the spare wheel.
2. Remove the Towing eye from the O/S chassis member (This is NOT refitted with the Towbar assembly).
3. Hold **B** in place against the N/S chassis member and mark off the two mounting points required for drilling. Always check the O/S pre drilled mounting points and ensure your markings correspond perfectly.
4. Drill the N/S chassis through both faces using a 13mm drill bit and open the inside face only to 20mm.
5. Using Item **G** with Item **L** assemble Items **D** onto the N/S side arm (Item **B**) and loosely fix to the chassis member ensuring Item **E** is fitted to the outside face and the S/P washers are under the bolt heads. Items **D** are design to stick out the inside face to match the O/S chassis member. (See FIG.1)
6. Using Item **G** with Item **L** fix the N/S side arm to the existing Towing eye points.
7. Using Item **H** with Item **M** fix Items **B** to the rear panel.
8. Using Item **J** with Item **N** fix Item **A** between each side arm.
9. Using Item **K** with Item **N** and Item **F** with Item **N** fix Item **C** and Item **P** to Item **A**.
10. Fully tighten all fixings ensuring the Towbar is rigid, square and secure. Always start at fixing points **J**.
11. Rehang the spare wheel. (The hanger will need rotating 180 degrees from its original position as per FIG.2)

FIG:1

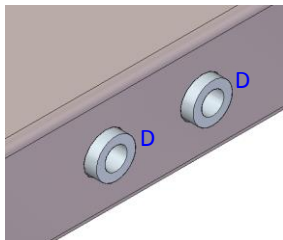
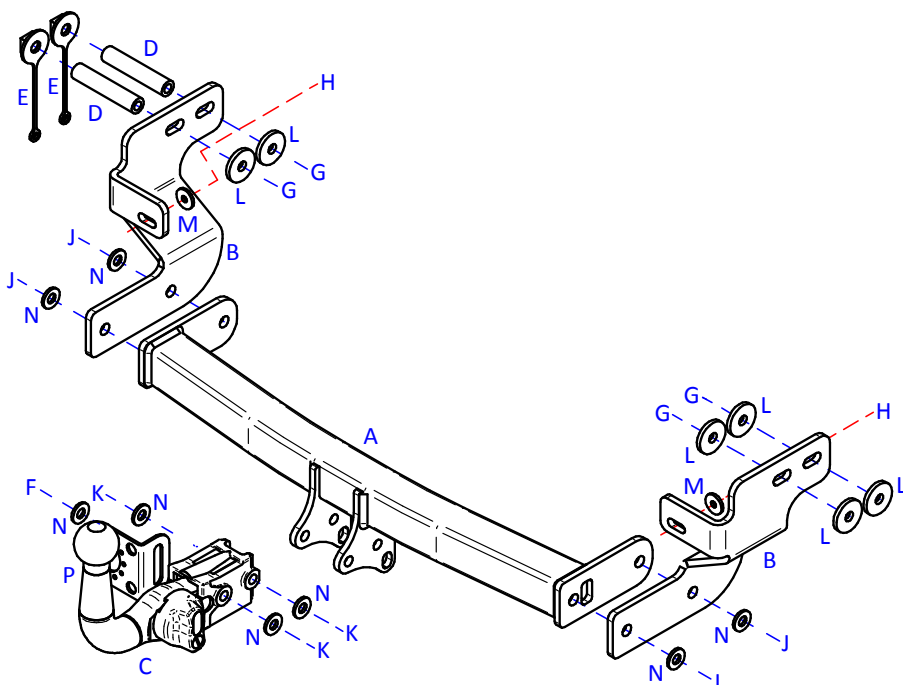


FIG:2



TNIS2HK



Note:

1. Recommended Torque Setting for M12 Grade 10.9 -139 Nm. (For other Torque Settings see notes overleaf.)
2. Nose load limits and vehicle manufacturers trailer / caravan weight limits must be observed.