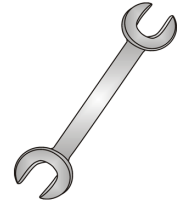




Tow-Trust Towbars

Important: Please read General Notes overleaf before fitting

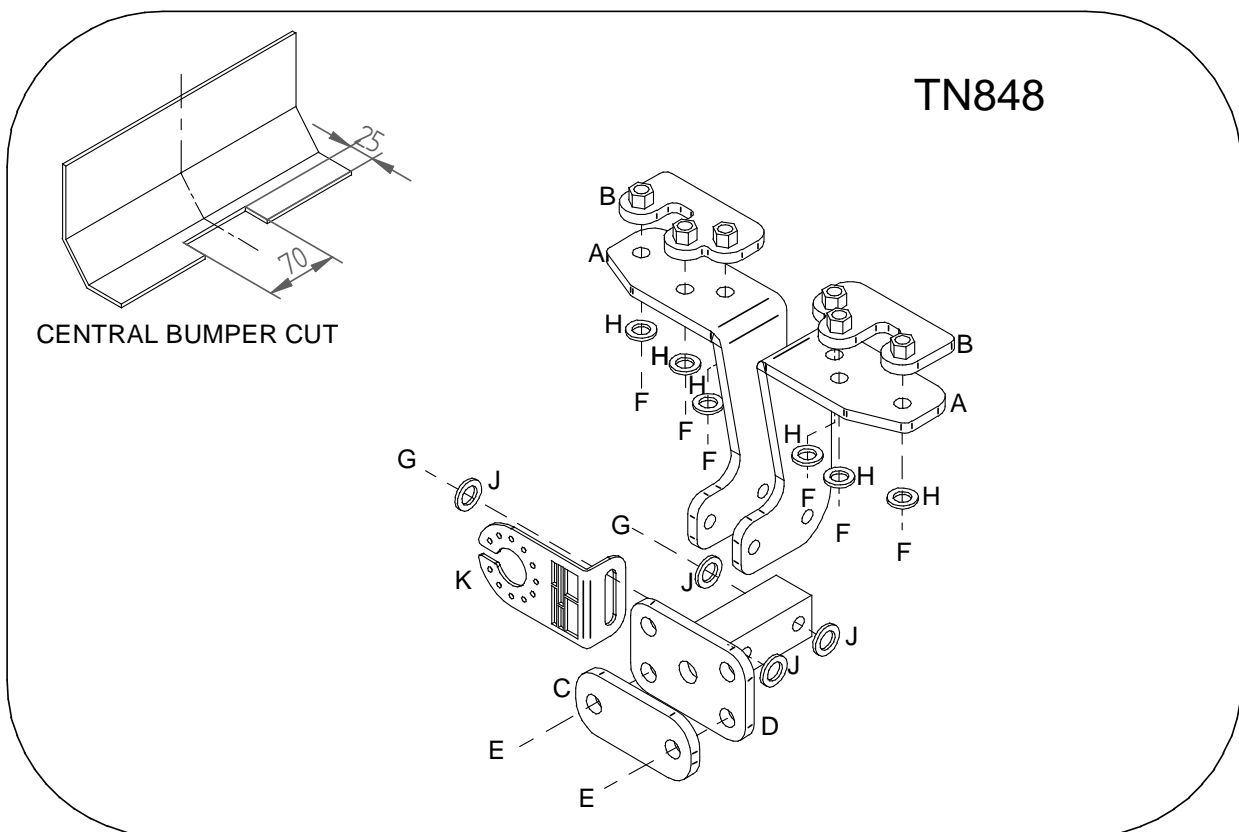


Issue 4

TN848 Nissan Pathfinder 2005>

Item	Qty	Description	Item	Qty	Description
A	2	Handed Drop Arms	E	2	M16 x 50 Bolts, Nuts & S/P Washers
B	2	Clamp Plates	F	6	M12 x 90 Bolts & S/P Washers
C	1	Coupling Spacer	G	2	M12 x 90 (Grade 10.9) Bolts & Nyloc Nuts
D	1	Extension Bar	H	6	12 x 25 Flat Washers
			J	4	Disc Spring Washers
			K	1	Socket plate

1. Temporarily lower the spare wheel.
2. Cut a section from the lower edge of the bumper 70mm wide x 20mm deep. If required, trim to suit.
3. Place item B on top of the vehicle crossmember and over the six existing holes.
4. Using Item F with Item H loosely bolt Item A to the crossmember.
5. Using Item G with Item J bolt Item D to Item A.
6. Using item E bolt the ball bracket and wiring plate (not supplied in this kit) to the mounting plate. Fit coupling spacer (Item C) when towball is used in the lower set of holes.
7. Fully tighten all nuts and bolts and ensure the towbar is rigid and secure.
8. Raise the spare wheel. (Note: Push spare wheel forward as it is being raised to ensure correct location.)



Note:

1. Recommended Torque Setting for M12 Grade 10.9 -139 Nm. (For other Torque Settings see notes overleaf.)
2. Nose load limits and vehicle manufacturers' trailer / caravan weight limits must be observed.