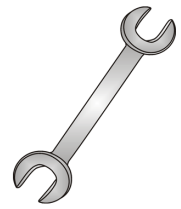




Tow-Trust Towbars

Important: Please read General Notes overleaf before fitting

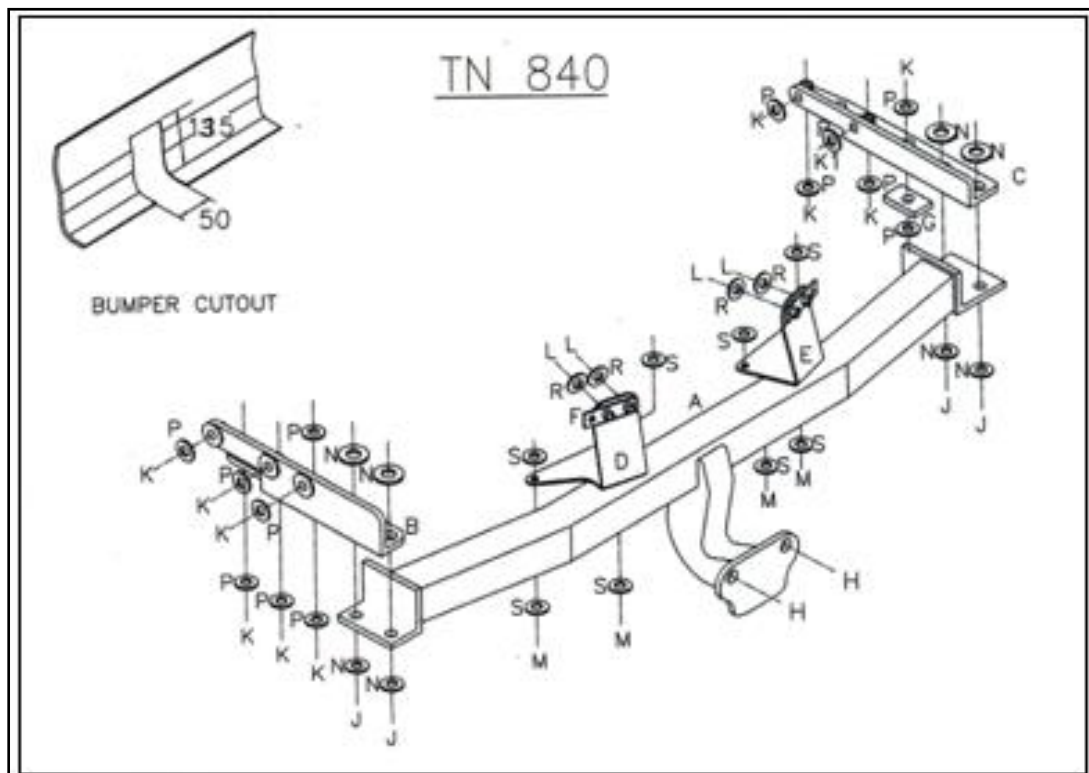


Issue 3

TN840 Nissan Primera Hatch 2002>

Item	Qty	Description	Item	Qty	Description
A	1	Crossmember	H	2	M16 x 50 Bolts, Nuts & S/P Washers
B	1	L/H Side Arm	J	4	M12 x 40 Bolts, Nuts & S/P Washers
C	1	R/H Side Arm	K	10	M10 x 30 Bolts, 3 Nuts & 12 S/P Washers
D	1	L/H Angle Bracket	K1	1	M10 x 25 Bolt & S/P Washer
E	1	R/H Angle Bracket	L	4	M8 x 30 Bolts & S/P Washers
F	2	Straps with Captive Nuts	M	4	M6 x 30 Bolts, 2Nuts & 4 S/P Washers
G	1	8mm Spacer	N	8	12 x 40 Flat Washers
			P	13	10 x 30 Flat Washers
			R	4	8 x 20 Flat Washers
			S	8	6 x 20 Flat Washers

1. Remove the rear trim, floor covering and side panels.
2. Remove the rear bumper, two bolts inside the boot behind each side panel, one clip under each light cluster, clips along the lower edge and one tip bolt behind the wheel arch protective trim each side. Cut a section from the lower edge of the bumper 50mm wide x 135mm deep. If required, trim to suit.
3. Temporarily remove the rearmost exhaust hanger and heat shield. Remove the towing eye bracket from the left hand side, and the chassis end caps (these are no longer required).
4. Locate Item B and Item C, with Item G on the right hand side, into each chassis member, and using Item K with Item P loosely bolt into place. Note use Item K1 on the rearmost side face of Item C.
5. Remove the luggage hooks from each corner of the boot. (The bolt is no longer required).
6. Locate Item D and Item E up against the rear panel over the existing holes at 80mm centres. Locate Item F through the existing hole each side and using Item L with Item R loosely bolt Item D and Item E into position. Using the existing nut and the luggage hooks loosely bolt Item D and Item E to the boot floor. Using the inner holes in Item D and Item E as a jig, drill 6mm clearance holes down through the floor, using Item M with Item S bolt Item D and Item E into place.
7. Using Item J with Item N loosely bolt Item A to Item B and Item C.
8. Fully tighten all nuts and bolts and ensure the towbar is rigid and secure.
9. Replace the heat shield and exhaust hanger and re-fit the bumper.
10. Using Item H bolt the ball bracket and wiring plate (not supplied in this kit) to the mounting plate.



Note: nose load limits and vehicle manufacturer's trailer / caravan weight limits must be observed.