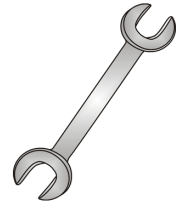




Tow-Trust Towbars

Important: Please read General Notes overleaf before fitting

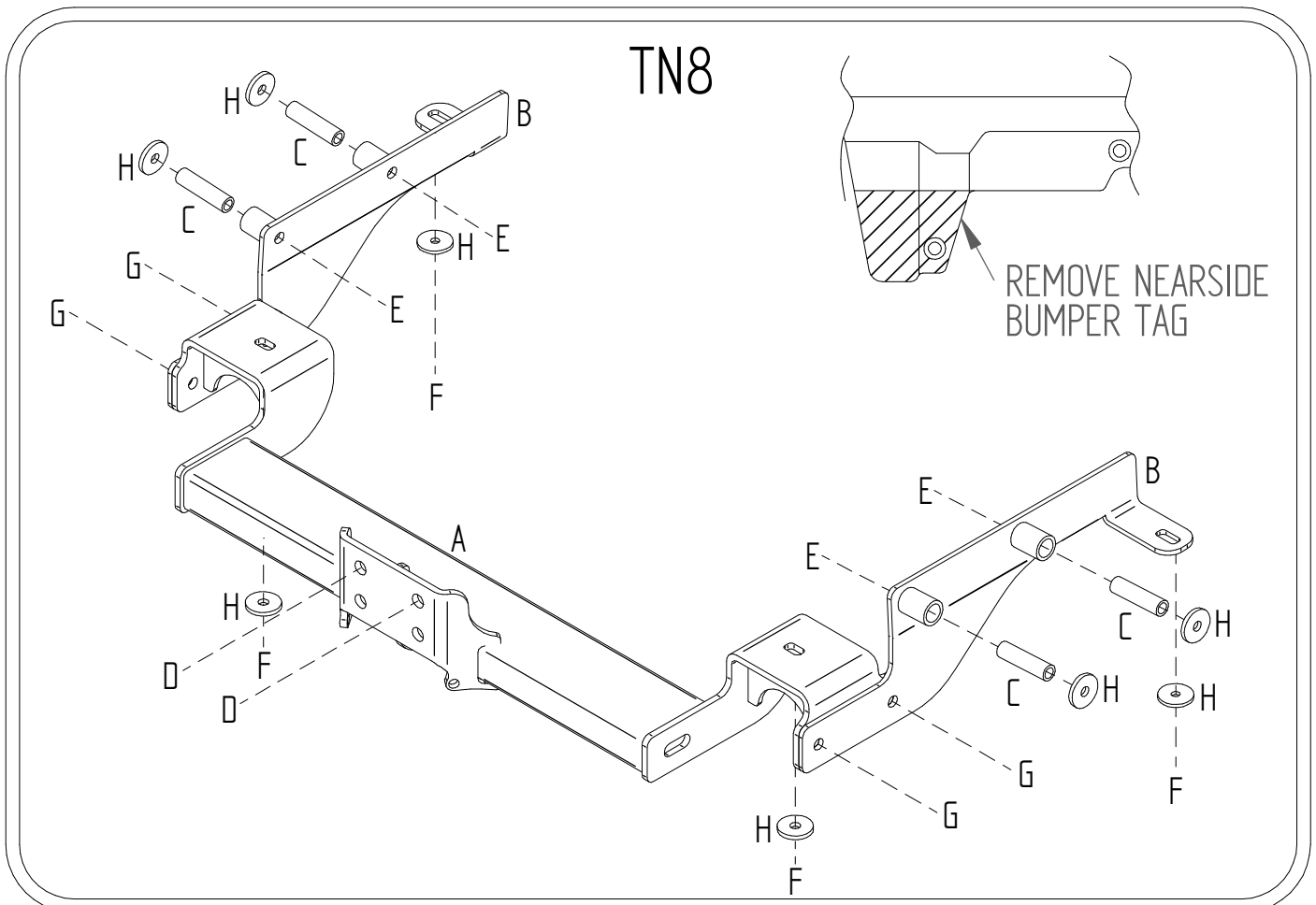


Issue 4

TN8 NISSAN NV200 COMBI & VAN 2009>

Item	Qty	Description	Item	Qty	Description
A	1	Crossmember	D	2	M16 x 40 Bolts, Nuts & S/P Washers
B	2	Handed Side Arms	E	4	M12 x 150 Bolts, Nuts & S/P Washers
C	4	19 x 72 Spacer Tubes	F	4	M12 x 35 x 1.25 & S/P Washers
			G	4	M12 x 35 Bolts, Nuts & S/P Washers
			H	8	12 x 40 Flat Washers

1. Remove fixing from nearside bumper tag, and cut as shown, SEE SKETCH.
2. Using item E with item C and item H bolt items B to each correct chassis member.
3. Using item F with item H loosely bolt the remaining mounting point on the lower face of each chassis member in items B.
4. Using items G bolt item A to items B.
5. Using item F with item H bolt item A through the vertical point in the rear valence.
6. Using item D bolt the ball bracket and wiring plate (not supplied in this kit) to item A.
7. Fully tighten all nuts and bolts ensuring Towbar assembly is rigid square and secure.



Note:

1. Recommended Torque Setting for M12 Grade 10.9 -139 Nm. (For other Torque Settings see notes overleaf.)
2. Nose load limits and vehicle manufacturer's trailer / caravan weight limits must be observed.