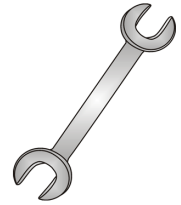




# Tow-Trust Towbars

Important: Please read General Notes overleaf before fitting



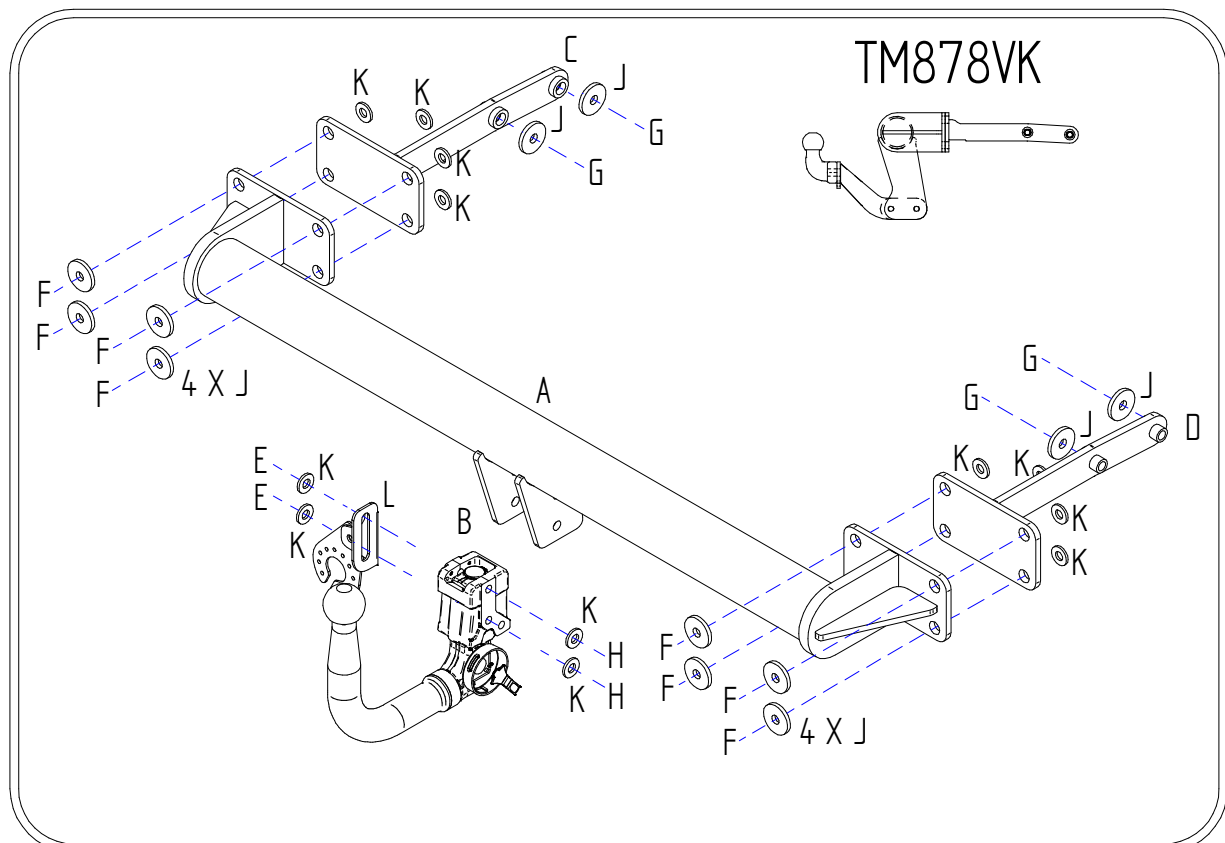
Issue 5

## TM878VK Mercedes E-Class W211 2002 - 2009

Item	Qty	Description	Item	Qty	Description
A	1	Crossmember	E	2	M12 x 25 Bolts & S/P Washers
B	1	6201 Detachable Neck	F	8	M12 x 50 Bolts, Nuts & S/P Washers
C	1	Left Hand Side Arm	G	4	M12 x 40 Bolts & S/P Washers
D	1	Right Hand Side Arm	H	2	M12 x 22 Bolts & S/P Washers
			J	12	12 x 40 Flat Washers
			K	12	12 x 25 Flat Washers
			L	1	Flip Up Socket Plate (TTFP/LH)

**IMPORTANT:** IT IS ADVISABLE TO USE A SEALANT ON MATING FACES, AND AROUND ANY MOUNTING POINTS ON REAR PANEL TO PREVENT ANY WATER DAMAGE TO CHASSIS OR BOOT.

1. Remove the rear bumper. Four fixings along rear panel, two fixings on wheel arch, two fixings on lower edge and two bolts each side behind boot side panels.
2. Remove bumper beam (this is not refitted with the Towbar).
3. Locate item C and item D into each chassis and using item G with item J loosely bolt to existing holes. Note: to obtain access to mounting points temporarily release the battery and jack mounting brackets.
4. Using item F with item J and item K loosely bolt item A through the side arms and rear panel. Note: It is advisable to use a sealant to prevent any water leaking into chassis or boot.
5. Using item H with item K and item E with item K bolt item B and item L to item A.
6. Fully tighten all nuts and bolts ensuring Towbar is rigid and secure.
7. Re-fit the bumper.



**Note:**

1. Recommended Torque Setting for M12 Grade 10.9 -139 Nm. (For other Torque Settings see notes overleaf.)
2. Nose load limits and vehicle manufacturers' trailer / caravan weight limits must be observed.