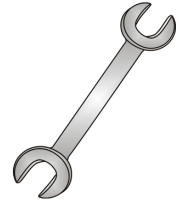




Tow-Trust Towbars

Important: Please read General Notes overleaf before fitting



Issue 4

TM866AVK MERCEDES M CLASS W164 & W166 / GL X164 / GLE / GLS

Item	Qty	Description	Item	Qty	Description
A	1	Crossmember	D	2	M12 x 25 Bolts & S/P Washers
B	2	Handed Side Arms	E	8	M10 x 35 Bolts, Nuts & S/P Washers
C	1	Detachable Housing	F	4	M10 x 50 Grade 10.9 Bolts & S/P Washers
			G	4	M12 x 45 Bolts, 2 Nuts & 4 S/P Washers
			H	2	M12 x 22 Bolts & S/P Washers
			J	1	Flip Up Socket Plate (TTFP/LH)
			K	15	10 x 25 Flat Washers
			L	4	10 x 30 Flat Washers
			M	10	12 x 25 Flat Washers
			N	1	Clamp Plate
			P	2	Handed 2012> Brackets
			R	2	M8 x 35 Bolts, Nyloc Nuts & 4 H/D Flat Washers

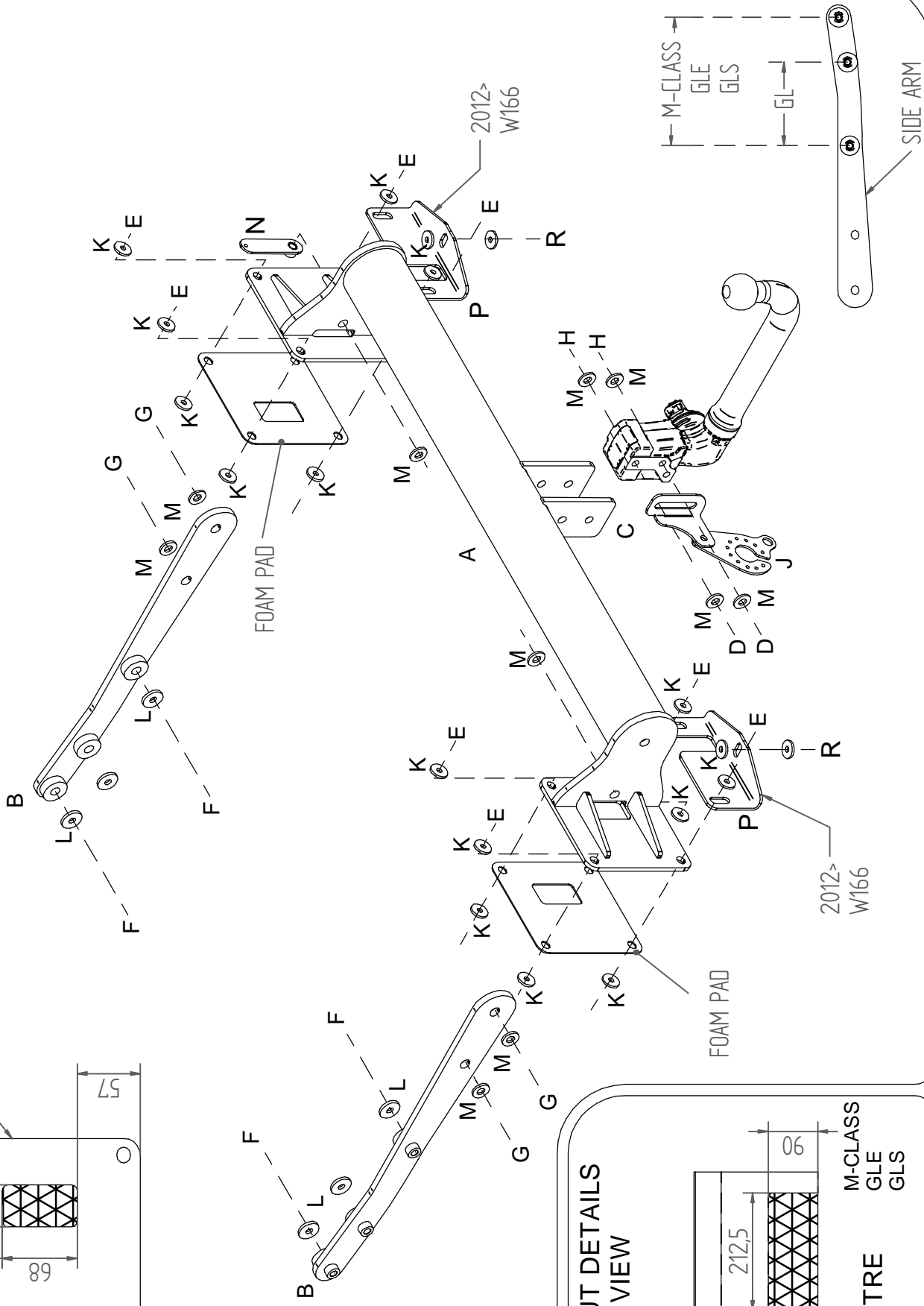
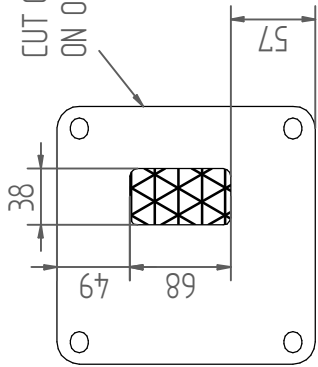
1. Temporarily remove the rear kick panel and each of the side panels from inside the vehicle.
2. Remove the rear bumper. Four fixings along lower edge, four fixings in each wheel arch, one tip fixing each side, (W166 there will be an additional fixing behind the wheel arch liner plus clips securing the bumper tips to vehicle body), inside the boot remove one fixing each side on the vehicle rear quarters and one nut through the rear panel each side. (W166 there are no internal fixings in the boot)
3. If fitted disconnect rear sensors.
4. Remove spare wheel, jack tray, triangle holder and wheel well carpet.
5. (W166) Lower the fluid tank to gain access to the bumper beam lower fixings, (NOTE: be careful not to damage tank or pipelines).
6. Remove bumper beam. (This is not refitted with Towbar).
7. Remove foam pads from bumper beam and cut as shown (See sketch).
8. Cut a section from the lower bumper support 65mm wide x 30mm deep.
9. Locate Item **B** inside each chassis member and using Item **F** with Item **L** loosely bolt through existing holes.
10. Using Item **E** with Item **K**, and Item **N**, bolt Item **A** with original foam pad (see sketch) through the existing holes in the rear panel, (W166 fit Items **P** to the lower rear panel mounting points)
11. Using Item **G** with Item **M** bolt Item **B** to Item **A**.
12. Using Item **H** with Item **M** and Item **D** with Item **M** bolt Item **C** and Item **J** to Item **A**.
13. Fully tighten all nuts and bolts and ensure the Towbar is rigid and secure.
14. Using Item **R** refit fluid tank to Items **P**.
15. Cut a section from the lower edge of the bumper SEE SKETCH. NOTE GL bumper cut is the same width but 130mm DEEP.
16. Refit the bumper and all interior components.

Note:

1. Recommended Torque Setting for M12 Grade 10.9 -139 Nm. (For other Torque Settings see notes overleaf.)
2. Nose load limits and vehicle manufacturers trailer / caravan weight limits must be observed.

TM866AVK

CUT OUT HATCHED AREA
ON ORIGINAL FOAM PAD



BUMPER CUT DETAILS INSIDE VIEW

