

## TM23 MERCEDES GLE / GLS 2019>

Item	Qty	Description	Item	Qty	Description
A	1	TM23 Crossmember	D	2	M16 x 50 Bolts & Nyloc Nuts
B	2	Side Arms	E	6	M12 x 35 (10.9) Bolts, 2 Nyloc Nuts & 4 S/P Washers
C	1	Extension	F	4	M12 x 45 Bolts & Nyloc Nuts
			G	1	M12 x 130 Bolt & Nyloc Nut
			H	1	M8 x 40 Bolt & Nyloc Nut
			J	10	12 x 25 Flat Washers
			K	2	12 x 30 Flat Washers
			L	2	8 x 25 Flat Washers
			T1	1	30mm O/D x 60mm Long Spacer Tube
			X	8	Original Mercedes Nuts (120Nm)

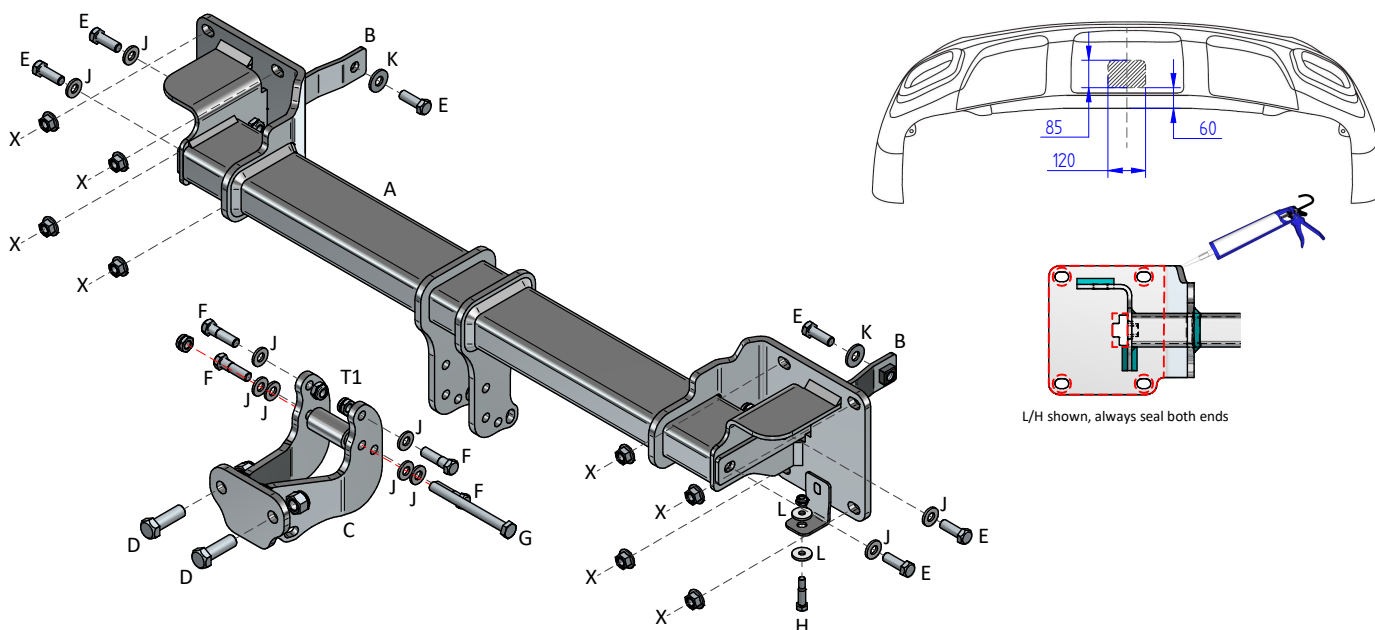
### BUMPER REMOVAL:

1. Remove eight fixings from the bumper lower edge, four fixings from each wheel arch, peel back wheel arch liners to reveal two more fixings to remove.
2. Pull bumper tips sideways to release from vehicle body then rearward disconnecting any necessary wiring looms.
3. Remove boot interior trim
4. Remove the rearmost fixing securing the AdBlue Tank to the rear impact beam.
5. Remove the rear impact beam and retain fixings for fitting Item A (Rear impact beam is not refitted with the Towbar assembly).

### TOWBAR INSTALLATION:

1. Using Item X fix Item A to the rear panel. Always fully seal the rear panel and chassis openings with a suitable sealant to prevent water ingress.
2. Insert Item B into each chassis through the end plates of Item A and fix to the chassis with Item E and Item K.
3. Fix Items B to Item A using Item E and Item J.
4. Using Item H with Item L fix the AdBlue Tank to Item A.
5. Fully tighten all fixings ensuring the Towbar is rigid, square and secure.
6. Cut the rear bumper as shown below and refit.
7. Using Item F with Item J and Item G with Item J fix Item C to Item A ensuring Item T1 is fitting between the rearmost central mounting point.
8. Using Item D fix your desired ball bracket and wiring plate (Not supplied in this kit) to Item C.
9. Fully tighten all remaining fixings.

BUMPER CUT / OUTSIDE VIEW



### Notes:

1. For Torque settings see general notes overleaf.
2. Nose load limits and vehicle manufacturer's trailer / caravan weight limits must be observed.