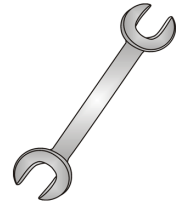




# Tow-Trust Towbars

Important: Please read General Notes overleaf before fitting



Issue 2

## TM14VK MERCEDES C-CLASS 2014>

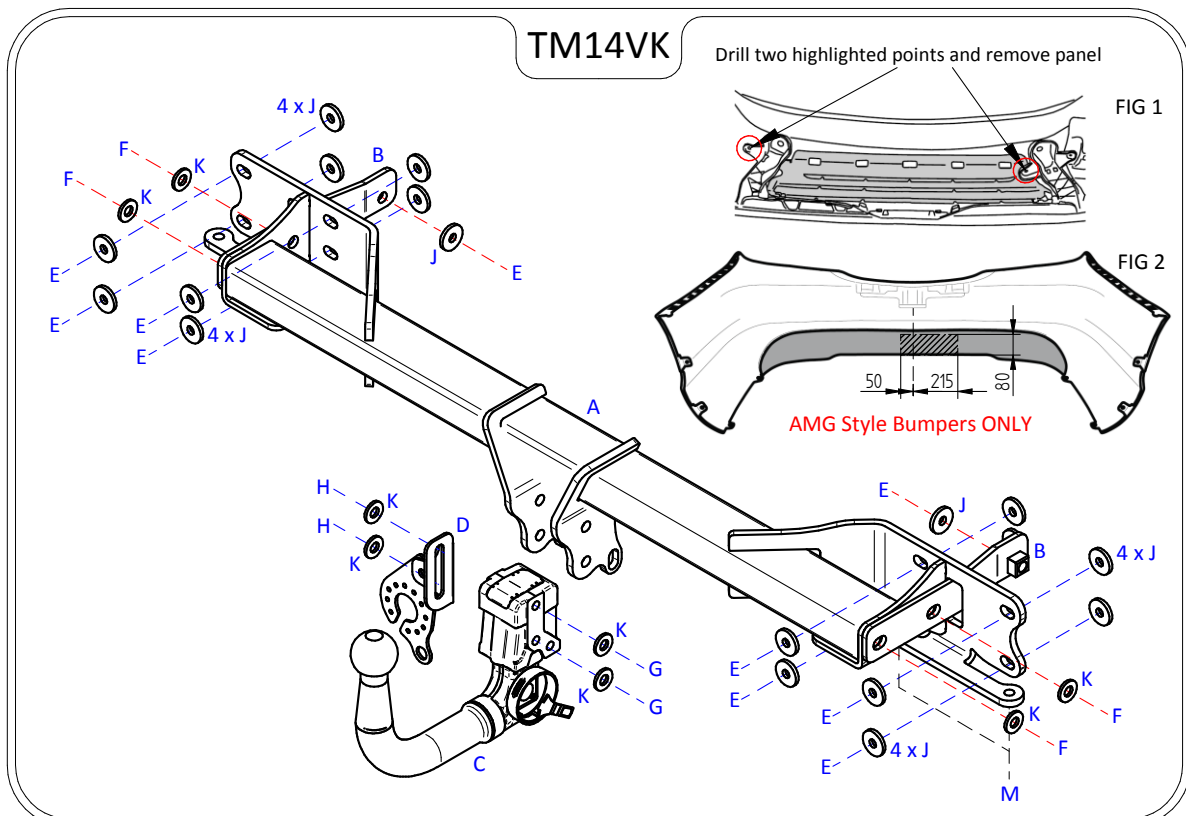
Item	Qty	Description	Item	Qty	Description
A	1	Crossmember	D	1	Flip Up Socket Plate (TTFP/LH)
B	2	Handed Side Arms	E	10	M10 x 35 Bolts (10.9), 8 Nyloc Nuts & 2 S/P Washers
C	1	6207 Detachable Neck	F	4	M12 x 35 Bolts, 2 Nyloc Nuts & 2 S/P Washers
			G	2	M12 x 22 Bolts & S/P Washers
			H	2	M12 x 25 Bolts & S/P Washers
			J	18	10 x 30 Flat Washers
			K	8	12 x 25 Flat Washers
			M	2	M8 Nyloc Nuts & 8 x 20 Flat Washers

### BUMPER REMOVAL:

1. Remove the boot interior trim.
2. Remove the rear light clusters, three fixings found inside the vehicle.
3. Remove seven fixings along the lower edge, three fixings securing each wheel arch liner, two fixings behind each wheel arch liner and one tip fixing either side.
4. Remove four fixings through the rear panel found inside the vehicle.
5. Release the bumper from the vehicle starting at bumper tips then rearward ensuring any wiring looms are disconnected.
6. **FIG.1** If fitted drill rivets and remove the inner plastic insert from bumper lower edge. (This is not refitted with Towbar assembly).
7. **FIG.2 Cut AMG Style bumpers only** or alternatively order lower pre-cut lower valance from Mercedes. (Note: be careful not to cut into the wiring loom running through the bumper)
8. Remove the two vertical fixings securing tank from the O/S and remove rear impact beam from the rear panel. (Impact beam is not refitted with Towbar assembly)

### TOWBAR INSTALLATION:

1. Using Item E with Item J fix Item A to the rear panel. (Always ensure the original gaskets are between Item A and the rear panel, we also advise an adequate sealant to be added around the Towbar and rear panel joints to stop water ingress).
2. Insert Items B through the Towbar end plates and secure to the inside face of each chassis member with Items E and Items J.
3. Using Items F and Item K fix Items B to Item A.
4. Using Item M fix the tank back to Item A.
5. Using Item G with Item K and Item H with Item K fix Item C and Item D to Item A.
6. Fully tighten all fixings ensuring the Towbar is rigid, square and secure.
7. Refit the rear bumper, light clusters and boot interior trim.



### Note:

1. Recommended Torque Setting for M12 Grade 10.9 -139 Nm. (For other Torque Settings see notes overleaf.)
2. Nose load limits and vehicle manufacturers trailer / caravan weight limits must be observed.