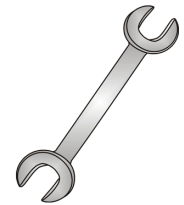




Tow-Trust Towbars

Important: Please read General Notes overleaf before fitting



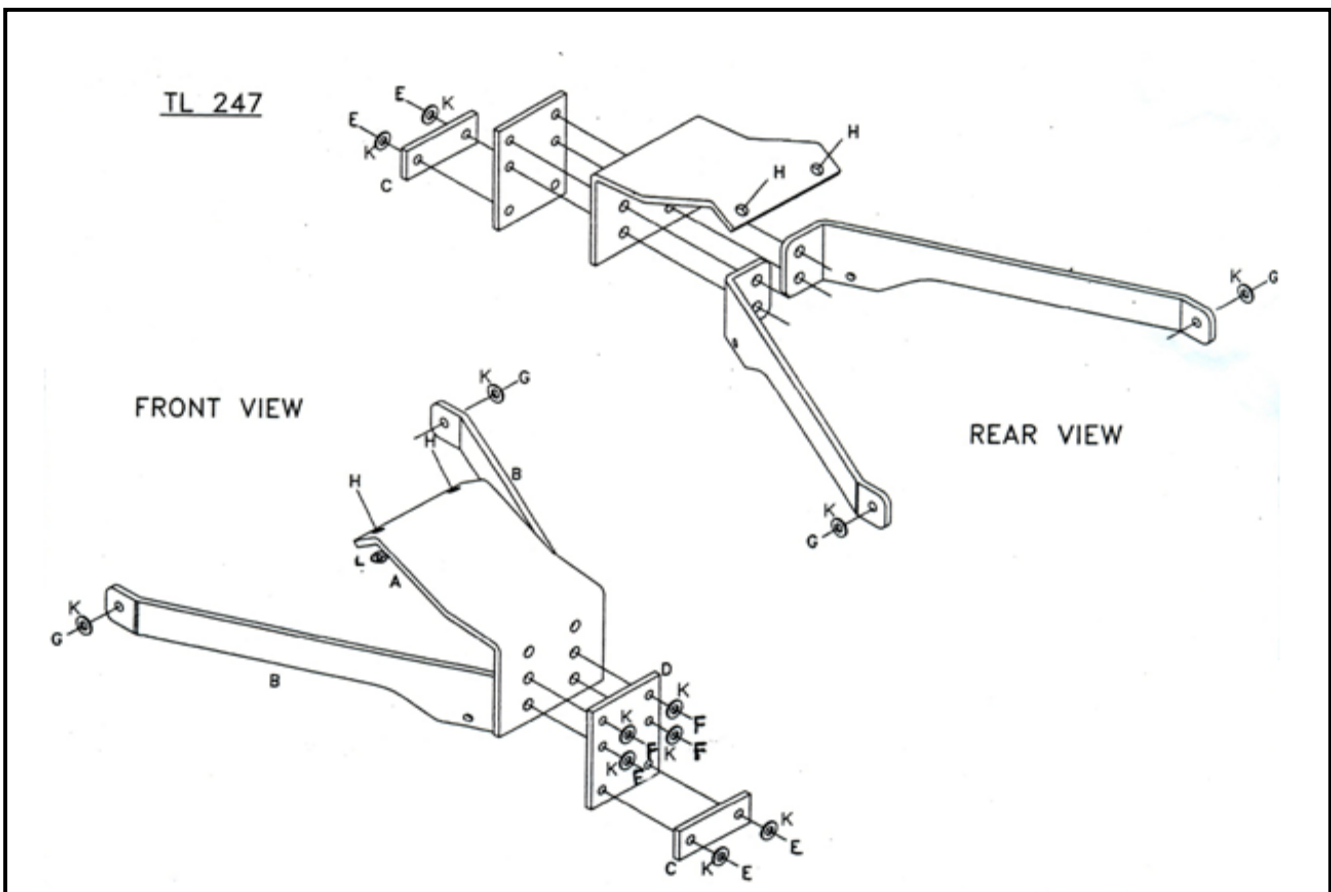
Issue 6

TL247 Land Rover Discovery November 1998 - 2004

Item	Qty	Description	Item	Qty	Description
A	1	Drop plate	E	2	M16 x 65 Bolts, Nuts & S/P Washers
B	2	Side arms	F	4	M16 x 50 Bolts, Nuts & S/P Washers
C	1	10mm coupling spacer	G	2	M16 x 110 Bolts, Nuts & S/P Washers
D	1	Drop Plate	H	2	M14 x 90 Bolts & S/P Washers
			J	4	16mm Bolt Caps
			K	8	16 x 27 Flat Washers
			L	2	14 x 27 Flat Washers

- Using item H with item L loosely bolt item A to the rear crossmember.
- Using item G with item K loosely bolt item B to the existing holes in the chassis.
- Using item E and item K with item C bolt item B and the ball bracket and wiring plate (not supplied in this kit) to item A.
- Fully tighten all nuts and bolts and ensure the Towbar is rigid and secure.
- Using item E and item F with item K bolt item D to item A if a lower towing height is required.

This Towbar has been tested to 94/20 EC using a A50-1 dimension Towball, a 75mm drop plate and a 52mm spacer mounted on the lower holes, so that spacers and drop plates up to those limits can be used.



Note: nose load limits and vehicle manufactures trailer / caravan weight limits must be observed.