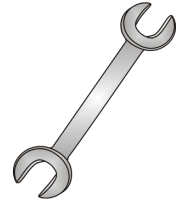




Tow-Trust Towbars

Important: Please read General Notes overleaf before fitting

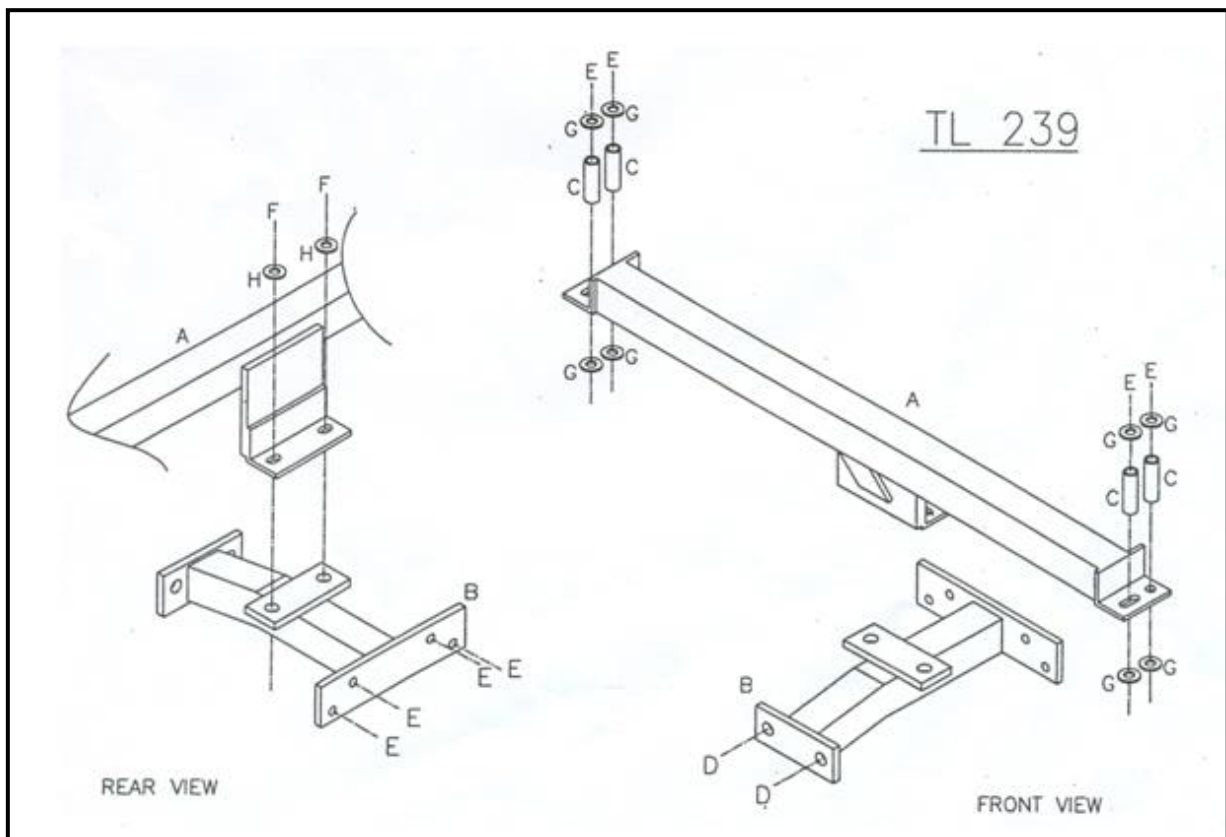


Issue 4

TL239 Range Rover 1994 - 2002

Item	Qty	Description	Item	Qty	Description
A	1	Crossmember	D	2	M16 x 50 Bolts, Nuts & S/P Washers
B	1	Bracing Stay	E	8	M10 x 90 Bolts, Nuts & S/P Washers
C	4	22 x 58 Spacer Tubes	F	2	M12 x 35 Bolts, Nuts & S/P Washers
			G	8	10 x 30 Flat Washers
			H	2	12 x 25 Flat Washers

1. Remove the bumper. (Torx bolts each side, push the clips up at each tip slide mounting points and remove the screws securing the mudguards).
2. Using item E with item C, loosely bolt item A to the inside of the existing mounting points each side. Place the bolts (item E) into position from the underside, with item G above the mounting points.
3. Using item F with item H loosely bolt item B to item A. Using item E, bolt item B to the four existing holes in the chassis member.
4. Using item D bolt the ball bracket and wiring plate (not supplied in this kit) to the mounting plate.
5. Fully tighten all nuts and bolts and ensure the towbar is rigid and secure.
6. Replace the rear bumper.



Note: nose load limits and vehicle manufacturers trailer / caravan weight limits must be observed.