



Tow-Trust Towbars

Important: Please read General Notes overleaf before fitting
Issue: 1



Fitting
Instruction

TKIA5VK KIA SORENTO MK6 2020>

Item	Qty	Description	Item	Qty	Description
A	1	TKIA5 Crossmember	F	1	Flip Up Socket Plate (TTFP/RH)
B1	1	L/H Side Arm	G	6	M12 x 35 x 1.25 Bolts & S/P Washers
B2	1	R/H side Arm	H	8	M12 x 40 Bolts, 4 Nyloc Nuts & 4 S/P washers
C	2	Side Arm Base Plates	J	4	M10 x 35 Bolts & Nyloc Nuts
D	2	Rear Panel Clamp Plates	K	6	M12 x 40 Bolts, 4 Nyloc Nuts & 2 S/P Washers
E	1	6209 Detachable Neck	L	4	M8 x 35 Bolts & Nyloc Nuts
			M	2	M12 x 22 Bolts & S/P Washers
			N	2	M12 x 25 Bolts & S/P Washers
			P	2	12 x 40 Flat Washers
			Q	30	12 x 25 Flat Washers
			R	8	10 x 25 Flat Washers
			S	8	8 x 25 Flat Washers

BUMPER REMOVAL:

1. Open tailgate and remove rear light clusters, two fixings per light cluster.
2. Lower spare wheel.
3. Remove rear bumper, two fixings found in each light cluster area, five fixings around each wheel arch, three fixings on the bumper lower edge by wheel arch each side.
4. Remove four fixings through rear panel securing the impact beam to the vehicle.
5. Carefully pull bumper tips out sideways releasing the bumper from the vehicle body, Disconnect the wiring loom on the N/S and remove the rear bumper.
Note: The centre of the bumper is firmly attached to the vehicle but has no fixings.
6. Remove the rear impact beam from inside the rear bumper (this will get refitted directly to Item A), remove the metal mounting brackets from the rear impact beam and discard.
7. Remove the central bumper tag from the rear impact beam and discard (FIG: 2)
8. Cut the central bumper tag from the bumper FIG: 1.
9. Lower and support the AdBlue tank.
10. Lower and support the exhaust silencer.

Note: The rearmost rubber must be removed from the silencer and not the vehicle.

TOWBAR INSTALLATION:

1. Using Item H with Item Q fit Item C to Items B1 and B2 and fully tighten. (creating side arm assemblies)
Note: ensure the orientation of Item C is correct. (FIG: 4)
2. Loosely fit Item G with Item P a couple of turns into each chassis vertical mounting point.
3. Using Item G with Item Q fit side arm assemblies to each chassis.
4. Fit Item A to the rear panel using Item J and Item R on the outer mounting points (M10) and Item H with Item Q on the inner points (M12), using Item D as a clamp plate on Item A. (FIG: 3)
5. Using Item K with Item Q fix item A to side arm assemblies.
6. Using Item M with Item Q and Item N with Item Q fix Item E and Item F to Item A.
7. Fully tighten all fixings ensuring the Towbar is rigid, square and secure.
8. Raise the AdBlue tank and exhaust silencer onto its hangers.
9. Using Item L with Item S refit the impact beam to Item A.
10. Refit the rear bumper and light clusters. When refitting the rear bumper ensure wiring loom is clipped into position.
11. Raise the spare wheel.

Notes:

1. For Torque settings see general notes overleaf.
2. Nose load limits and vehicle manufacturer's trailer / caravan weight limits must be observed.

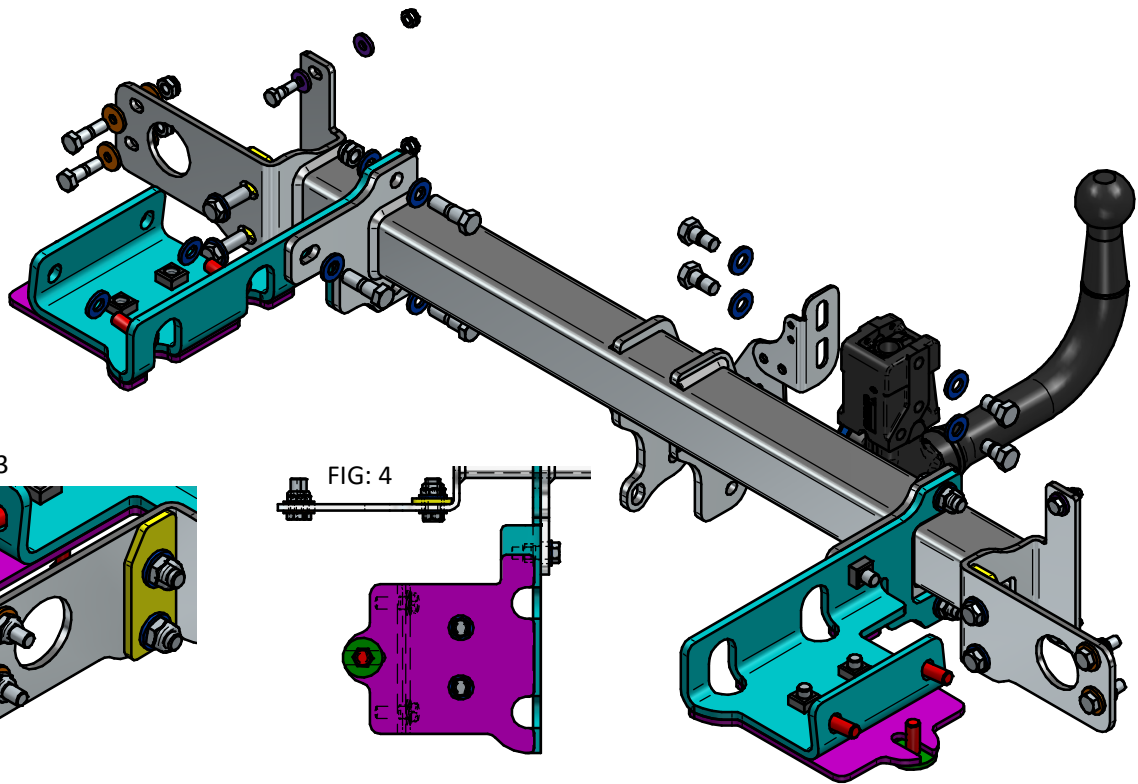


FIG: 3

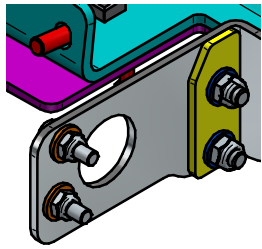


FIG: 4

