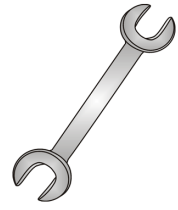




Tow-Trust Towbars

Important: Please read General Notes overleaf before fitting

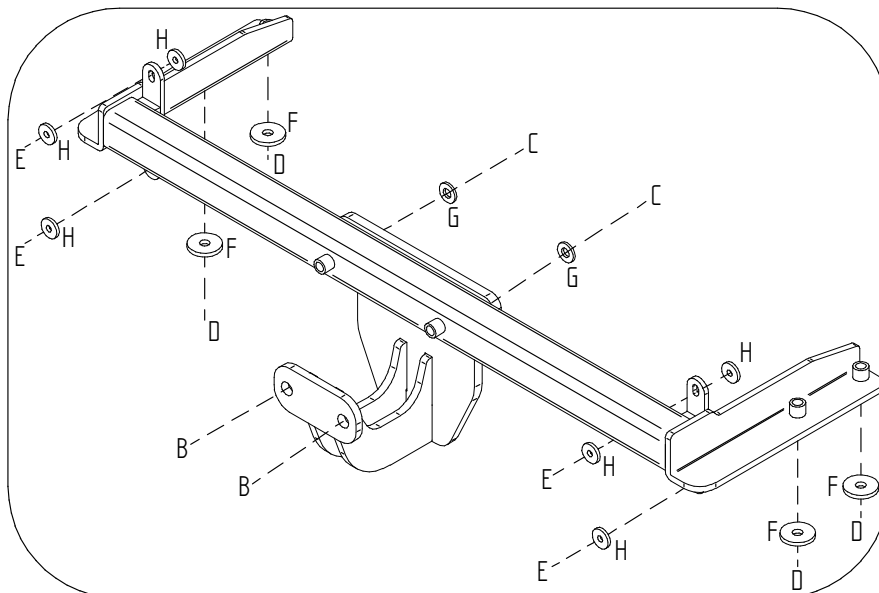


Issue 4

TK2 KIA SEDONA 2000 - 2006

Item	Qty	Description	Item	Qty	Description
A	1	Towbar	B	2	M16 x 50 Bolts, Nuts & S/P Washers
			C	2	M10 X 90 Bolts & S/P Washers
			D	4	M12 x 40 Bolts & S/P Washers
			E	4	M8 x 30 Bolts, Nuts & S/P Washers
			F	4	12 x 40 Flat Washers
			G	2	10 x 25 Flat Washers
			H	8	8 x 20 Flat Washers

1. Remove the spare wheel.
2. Temporarily remove the rear light clusters, two fixings and push clusters outwards.
3. Remove rear bumper. Four fixings along underside, two fixings underneath each chassis member, six fixings along upper rear panel, one in each light cluster area and five in each wheel arch.
4. Remove bumper brackets and polystyrene from the plastic bumper beam. (These are not refitted.)
5. Locate the towbar Item **A** into each chassis member and using Item **D** with Item **F** temporarily bolt into place through the existing holes.
6. Using the two central holes in the towbar as jigs, mark the rear panel of the vehicle.
7. Remove the towbar and drill two 11mm holes through the rear panel.
8. From the spare wheel side only open the holes up to allow clearance for a 17mm socket.
9. Care must be taken when assembling towbar to bumper as rear face of bumper may be damaged.
10. Using a 13mm drill open the existing holes out in the inner plastic bumper beam for bolts (Item **E**).
11. Assemble the towbar (Item **A**) to the bumper using Item **E** with Item **H** loosely bolt together.
12. Locate assembly into the chassis and loosely bolt at the central points using Item **C** with Item **G**.
13. Using item **D** with item **F** loosely bolt item **A** to each chassis member.
14. At this point fully tighten Item **C** and Item **D**.
15. Re-align bumper, refit all bumper fixings and tighten bolts Item **E**. NOTE: at this point check that clearance between tailgate and bumper is sufficient.
16. Using item **B** bolt the ball bracket and wiring plate (not supplied in this kit) to the mounting plate.
17. Refit light clusters.
18. Replace spare wheel.



Note: nose load limits and vehicle manufacturers trailer / caravan weight limits must be observed.