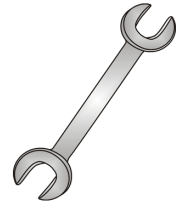




# Tow-Trust Towbars

Important: Please read General Notes overleaf before fitting



Issue 1

## TJEEP1 JEEP GRAND CHEROKEE (WK) 2011>

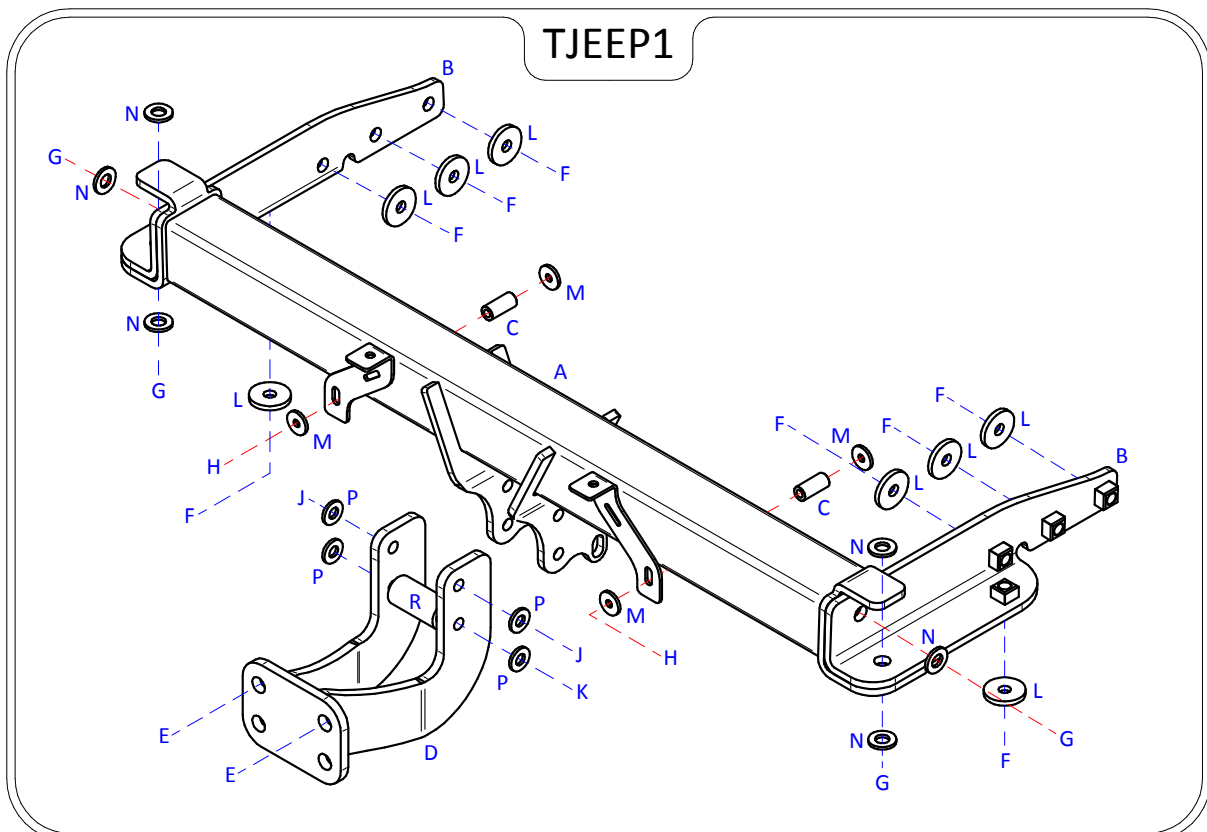
Item	Qty	Description	Item	Qty	Description
A	1	Crossmember	E	2	M16 x 50 Bolts & Nyloc Nuts
B	2	Handed Side Arms	F	8	M12 x 35 Bolts & S/P Washers
C	2	15mm x 33mm Spacer Tubes	G	4	M14 x 40 Bolts, 2 Nyloc Nuts & 2 S/P Washers
D	1	Extension Bar	H	2	M8 x 50 Bolts, Nuts & S/P Washers
X	8	Large Plastic Rivets	J	2	M12 x 40 (10.9) Bolts & Nyloc Nuts
			K	1	M12 x 120 (10.9) Bolt & Nyloc Nut
			L	8	12 x 40 Flat Washers
			M	4	8 x 25 Flat Washers
			N	6	14 x 27 Flat Washers
			p	4	12 x 25 Flat Washers
			R	1	30mm x 60mm Spacer Tubes

### BUMPER REMOVAL:

1. Remove two fixings from around the boot shut area, two fixings found centrally on the lower edge, four fixings around each wheel arch. **OVERLAND BUMPER ONLY** carefully release wheel arch trim from vehicle body to reveal an additional bumper fixing. Pull bumper rearward to remove.
2. Remove five fixings from the N/S chassis and remove the Towing eye. (Towing eye is NOT refitted with Towbar assembly).
3. Remove three fixings from the O/S chassis and carefully remove the rear impact beam. (Rear impact beam is NOT refitted with Towbar assembly).

### TOWBAR INSTALLATION:

1. Insert Items **B** into each correct chassis member and fix in place using Item **F** and Item **L**.
2. Using Item **G** with Item **N** fix Item **A** between each side arm (Items **B**).
3. Using Item **J** with Item **P** through the upper fixing points and Item **K** with Item **P** through the lower fixing point fix Item **D** to Item **A** ensuring Item **R** is fitted between the lower fixing point.
4. Using Item **E** fix your desired ball bracket and wiring plate (Not supplied in this kit) to Item **D**.
5. Fully tighten all fixings ensuring the Towbar is rigid, square and secure.
6. Cut the bumper centrally 100mm wide x 20mm deep. (Trim to suit)
7. Refit the rear bumper using Item **C**, Item **H** and Item **M** to secure the bumper to the bumper tags found on Item **A**.
8. Secure the bumper around wheel arches using Item **X**.



### Note:

1. Recommended Torque Setting for M12 Grade 10.9 -139 Nm. (For other Torque Settings see notes overleaf.)
2. Nose load limits and vehicle manufacturers trailer / caravan weight limits must be observed.