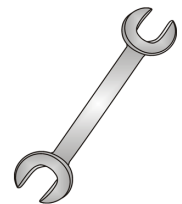




Tow-Trust Towbars

Important: Please read General Notes overleaf before fitting



Issue 3

TJAG3 JAGUAR F-PACE 2016> / RANGE ROVER VELAR 2017>

Item	Qty	Description	Item	Qty	Description
A	1	TJAG3 Crossmember	D	2	M16 x 50 Bolts & Nyloc Nuts
B	2	Handed Side Arms	E	8	M14 x 90 Bolts & S/P Washers
C	1	Extension	F	8	M14 x 50 Bolts & S/P Washers
			G	1	M12 x 130 Bolt & Nyloc Nut
			H	2	M12 x 40 Bolts & Nyloc Nuts
			J	16	14 X 27 Flat Washers
			K	4	12 x 25 Flat Washers
			L	1	30mm O/D x 60mm Long Spacer Tube

BUMPER REMOVAL:

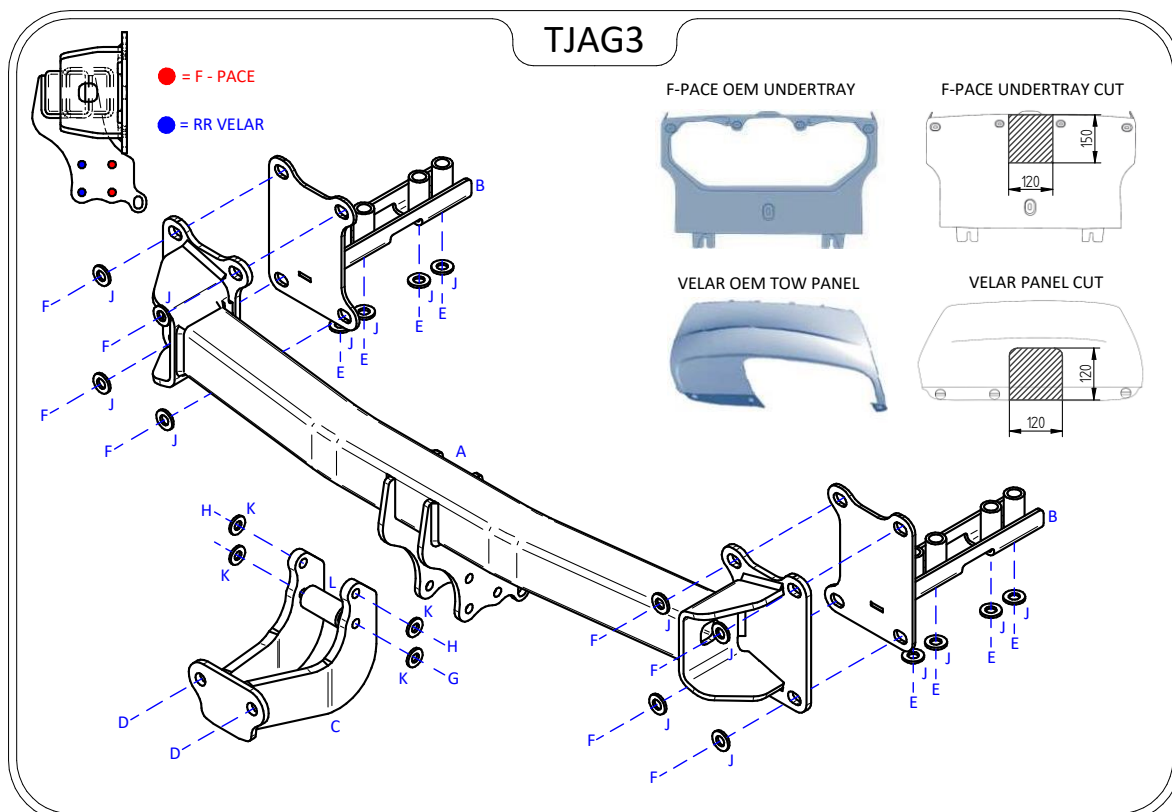
1. F-Pace Only: Remove four fixings securing the bumper lower edge to the undertray.
2. Velar: Unclip the central bumper panel to reveal two fixings securing the bumper lower edge to the undertray and remove.
3. Remove four fixings from each wheel arch liner, peel back and remove an additional three fixings either side.
4. Remove the inner trim from each light cluster around boot opening; this will reveal one bumper fixing either side to remove.
5. Velar: Remove the top scuff plate to reveal four fixings securing the bumper top edge.
6. Starting at the bumper tips release the bumper from the vehicle body and then pull rearwards.
7. Remove the black plastic bumper support to gain access to upper Towbar mounting points.
8. Lower the exhaust silencers and support to prevent damage. Remove the heat shields.
9. Remove the rear impact beam. (This is Not refitted with the Towbar assembly)

TOWBAR INSTALLATION:

1. Insert Items B into each chassis and fix in place using Items E and Items J.
2. Fix Item A to the rear panel using Items F with Items J.
3. Using Items H with Items K and Item G with Items K fix Item C to Item A ensuring Item L is fitted between the lower point.
4. Using Item D fix your desired ball bracket and wiring plate (Not supplied in this kit) to Item C.
5. Fully tighten all fixings ensuring the Towbar is rigid, square and secure.
6. Refit the exhaust heat shields and rehang the exhaust silencers.
7. Refit the rear bumper support and rear bumper.
8. Refit undertray (F-Pace) / panel (Velar).

Option 1: F-Pace: Cut the undertray as per the sketch below. Velar: Cut the central bumper cover as per the sketch below.

Option 2: F-Pace: Order the factory pre-cut undertray and fit. Velar: Order the factory pre-cut bumper panel and fit.



Note:

1. Recommended Torque Setting for M12 Grade 10.9 -130 Nm. (For other Torque Settings see notes overleaf.)
2. Nose load limits and vehicle manufacturers trailer / caravan weight limits must be observed.