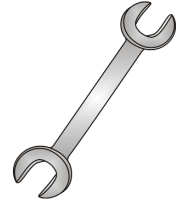




Tow-Trust Towbars

Important: Please read General Notes overleaf before fitting

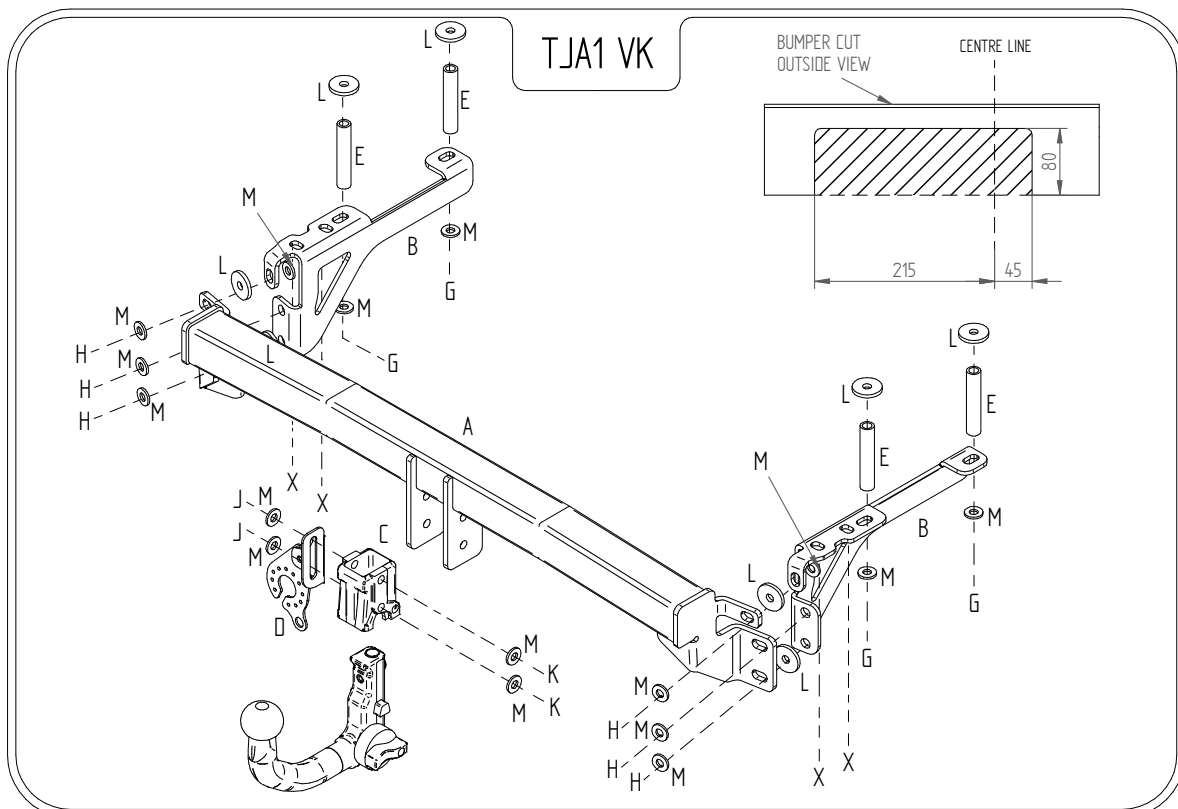


Issue 5

TJA1VK JAGUAR XF 2008>

Item	Qty	Description	Item	Qty	Description
A	1	Crossmember	G	4	M12 x 130 Bolts, Nut & S/P Washers
B	2	Handed Side Arms	H	6	M12 x 45 Bolts, Nuts & S/P Washers
C	1	Detachable Housing	J	2	M12 x 25 Bolts & S/P Washers
D	1	Flip Up Socket Plate (TTFP/LH)	K	2	M12 x 22 Bolts & S/P Washers
E	4	19mm x 100mm Spacer Bushes	L	8	12 x 40 Flat Washers
			M	16	12 x 30 Flat Washers

- Lower and support both rear exhaust silencers.
- Remove exhaust heat shields. (These will need trimming to suit side arms (item B).
- Remove fixings from lower edge of rear bumper. (Note you may find fitting the Towbar assembly much easier after removing the lower part of the bumper).
- Cut the lower edge of the rear bumper as shown. SEE SKETCH.
- Remove the floor covering and side panels from inside the boot.
- Remove the brackets from the lower face of each chassis that connect to the rear panel and retain the bolts. (Discard the brackets).
- Inside the boot locate the dimples (200mm centres) and drill through both faces of the chassis members, opening **TOP FACE ONLY** to 20mm.
- Insert items E into each chassis (Take care not to lose in chassis members).
- Using items G, M & L loosely bolt items B to each correct chassis member.
- Using existing fixings loosely bolt items B through the remaining two mounting points on the lower face of each chassis.
- Using item J with item M and item K with item M bolt items C and D to item A and fully tighten.
- Using item H with item M fit item A up inside the bumper sandwiching the rear panel and side arms (items B). On some models it may be necessary to fit Items L between Item A and the rear panel.
- Fully tighten all nuts and bolts ensuring Towbar is rigid, square and secure.
- Refit exhaust heat shields (after being trimmed), exhaust silencers and boot trim.



Note:

- Recommended Torque Setting for M12 Grade 10.9 -139 Nm. (For other Torque Settings see notes overleaf.)
- Nose load limits and vehicle manufacturer's trailer / caravan weight limits must be observed.