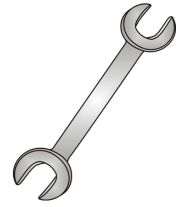




# Tow-Trust Towbars

Important: Please read General Notes overleaf before fitting

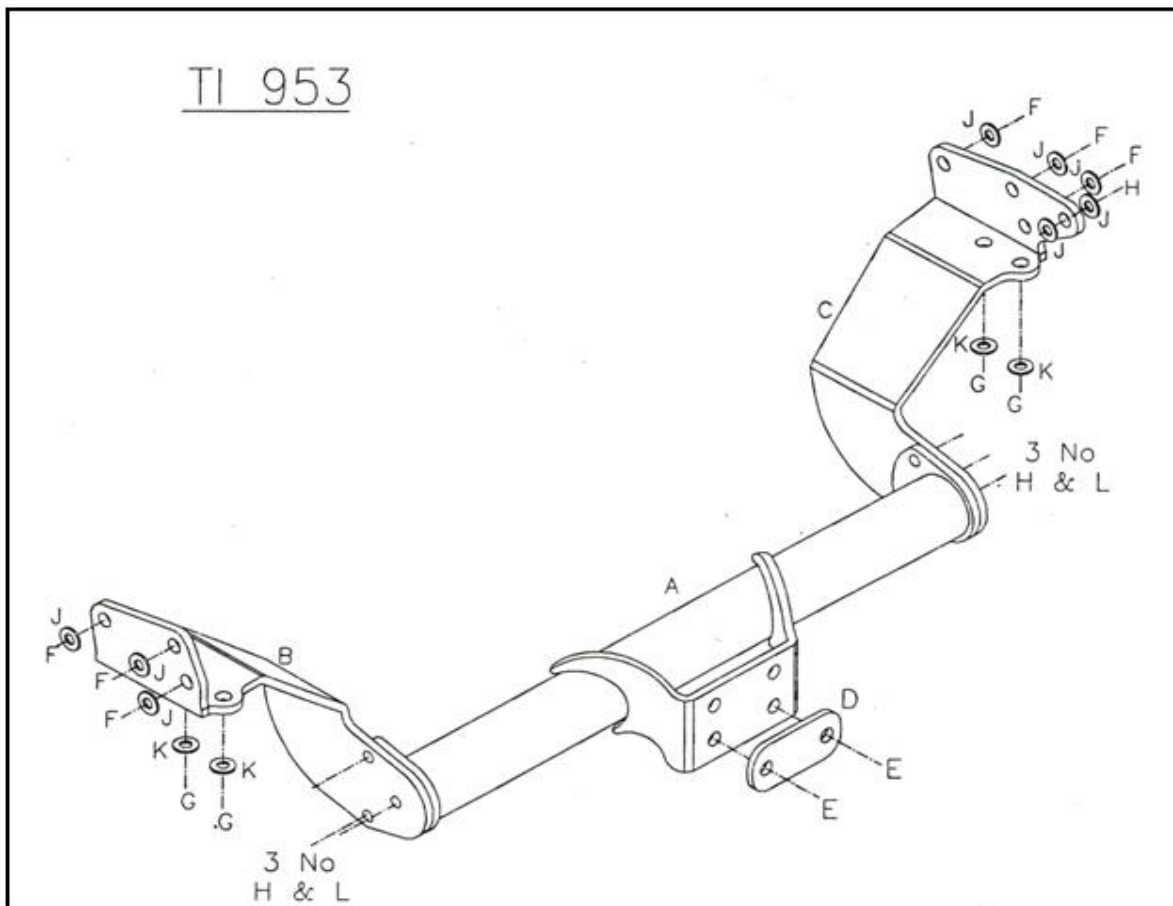


Issue 5

## TI953 ISUZU Rodeo 2WD/4WD & Denver & Chevrolet Pick Up 2003 – 2012 ISUZU D Max Pick Up 2004 – 2012

Item	Qty	Description	Item	Qty	Description
A	1	Crossmember	E	2	M16 x 50 Bolts, Nuts & S/P Washers
B	1	Left Hand Side Arm	F	6	M12 x 35 x 1.25 Bolts & S/P Washers
C	1	Right Hand Side Arm	G	4	M10 x 35 x 1.25 Grade 10.9 Bolts & S/P Washers
D	1	Coupling Spacer	H	7	M12 x 40 Bolts, 4 Nyloc Nuts & 2 S/P Washers
			J	8	12 x 25 Flat Washers
			K	4	10 x 25 Flat Washers
			L	6	M12 Bolt Caps

1. Temporarily disconnect the rear fog light from the chassis.
2. Using Item F with Item J loosely bolt Item B and Item C to each chassis.
3. Using Item H bolt the fog light to the side arm through the hole provided.
4. Using Item G with Item K bolt the side arms Item B and Item C to the captive nuts on the underside of each chassis member.
5. Using Item H bolt Item A to Item B and Item C. Item L are used to cover the outer heads of each bolt.
6. Using Item E with Item D bolt the ball bracket and wiring plate (not supplied in this kit) to the mounting plate.
7. Fully tighten all nuts and bolts and ensure the towbar is rigid and secure.



**Note:**

1. Recommended Torque Setting for M10 Grade 10.9 -139 Nm. (For other Torque Settings see notes overleaf.)
2. Nose load limits and vehicle manufacturers trailer / caravan weight limits must be observed.