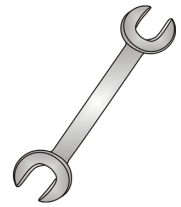




# Tow-Trust Towbars

Important: Please read General Notes overleaf before fitting



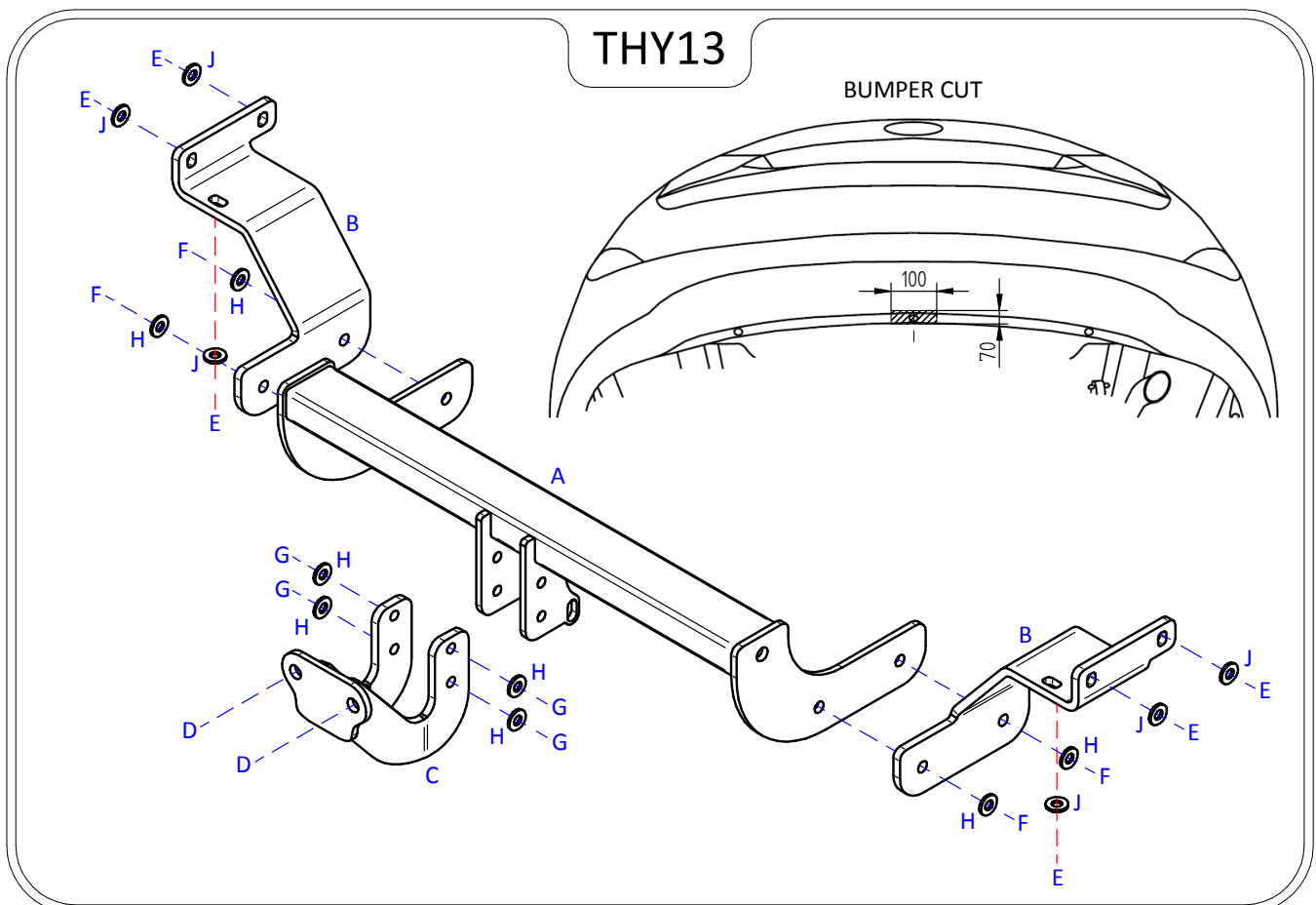
Issue 2

## THY13 HYUNDAI i30 SW / KIA C'eed SW 2012>

Item	Qty	Description	Item	Qty	Description
A	1	Crossmember	D	2	M16 x 50 Bolts, Nuts & S/P Washers
B	2	Handed Side arms	E	6	M10 x 40 x 1.25 Bolts & S/P Washers
C	1	Extension	F	4	M12 x 40 Bolts, Nuts & S/P Washers
			G	4	M12 x 40 Bolts & Nyloc Nuts
			H	8	12 x 25 Flat Washers
			J	6	10 x 30 Flat Washers

### TOWBAR INSTALLATION:

1. Remove the rear under tray.
2. Remove the Towing eye from the N/S chassis member. (This is not refitted with the Towbar assembly but gets handed back to the customer and refitted if ever the Towbar is removed).
3. Using Item E with Item J Fit Items B to each chassis member.
4. Cut the rear bumper lower edge as shown in sketch below.
5. Using Item F with Item H fit item A to Items B.
6. Using Items G with Items H fit Item C to Item A.
7. Using Item D fit your desired ball bracket and wiring plate (not supplied in this kit) to Item C.
8. Fully tighten all fixings ensuring Towbar is rigid, square and secure.
9. The N/S under tray can either be cut around Item B so a flush fitting is achieved back to the vehicle or handed back to the customer and refitted if ever the Towbar is removed.



### Note:

1. Recommended Torque Setting for M12 Grade 10.9 -139 Nm. (For other Torque Settings see notes overleaf.)
2. Nose load limits and vehicle manufacturers trailer / caravan weight limits must be observed.