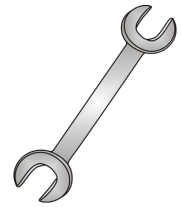




Tow-Trust Towbars

Important: Please read General Notes overleaf before fitting

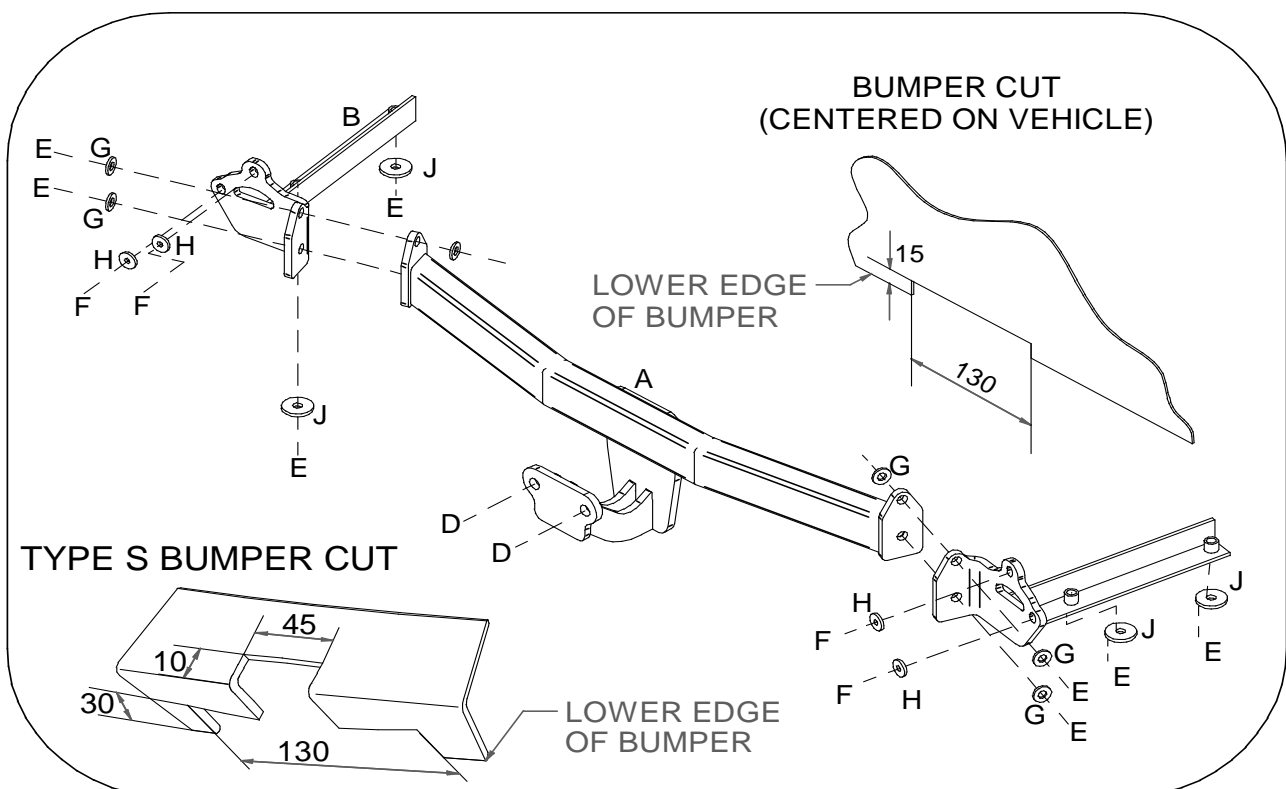


Issue 6

TH252 Honda Civic 3 & 5 Door Hatch 2006 - 2011

Item	Qty	Description	Item	Qty	Description
A	1	Crossmember	D	2	M16 x 50 Bolts, Nuts & S/P Washers
B	1	L/H Side Arm	E	8	M12 x 40 Bolts, 2 Nuts & 8 S/P Washers
C	1	R/H Side Arm	F	4	M8 x 30 Bolts & S/P Washers
			G	6	12 x 25 Flat Washers
			H	4	8 x 25 HD Flat Washers
			J	4	12 x 40 Flat Washers

1. Remove mud flaps (if fitted) one fixing on outer edge, one fixing on inner edge and one fixing on the under section.
2. Remove the rear bumper, six fixings along the lower edge, two fixings under plastic covers in boot opening. Remove wheel arch trims and remove the remaining two fixings. Pull out the bumper at tips and slide rearward.
3. Remove the crash beam (six fixings). Pull upwards to remove. (This is not refitted with the towbar.)
4. Using Item E with Item J loosely bolt Item B and Item C to the existing holes in each chassis member.
5. Using Item F with Item H loosely bolt Item B and Item C to the rear panel.
6. Using Item E with Item G bolt Item A to Item B and Item C.
7. Fully tighten all nuts and bolts and ensure the towbar is rigid and secure.
8. Cut a section from the lower edge of the bumper 130mm wide x 15mm deep.
9. Protect the bumper and refit.
10. Using Item D bolt the ball bracket and wiring plate (not supplied in this kit) to the mounting plate.



Note: nose load limits and vehicle manufacturers' trailer / caravan weight limits must be observed.