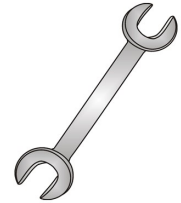




# Tow-Trust Towbars

Important: Please read General Notes overleaf before fitting



Issue 1

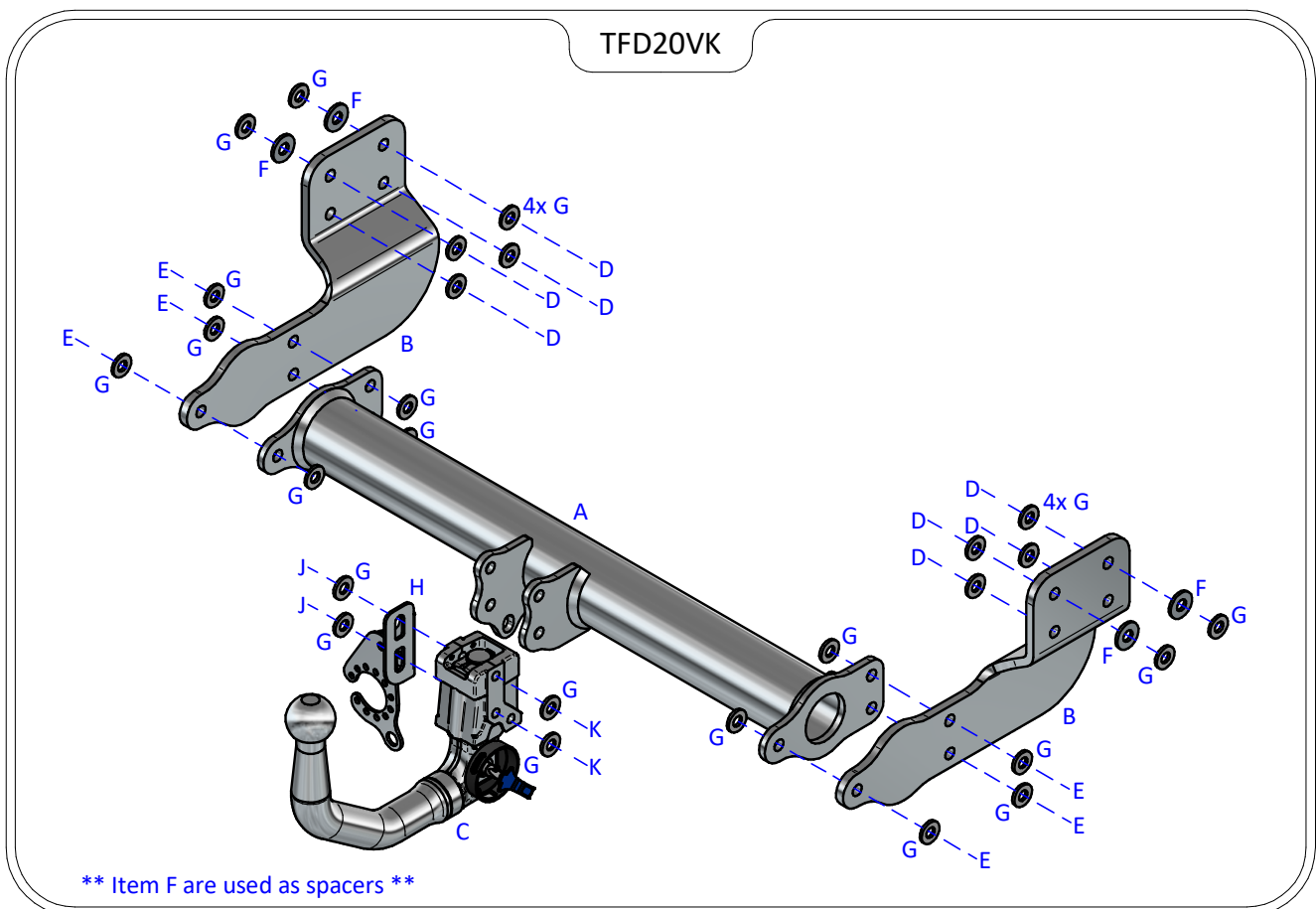
## TFD20VK FORD TRANSIT CUSTOM 2012>

Item	Qty	Description	Item	Qty	Description
A	1	TFD20VK Crossmember	C	1	6204 Detachable Neck
B	2	Handed Side Arms	D	8	M12 x 100 Grade 10.9 Bolts, 4 Nyloc Nuts & 4 S/P Washers
			E	6	M12 x 45 Grade 10.9 Bolts & Nyloc Nuts
			F	4	12 x 30 Flat Washers
			G	28	12 x 25 Flat Washers
			H	1	Flip Up Socket Plate (TTFP/LH)
			J	2	M12 x 25 Bolts & S/P Washers
			K	2	M12 x 22 Bolts & S/P Washers

### TOWBAR INSTALLATION:

1. Lower the spare wheel to gain access to Towbar mounting points.
2. Remove the two fixings each side fixing the bumper brackets to the chassis members.
3. Using Items **D** with Items **G** loosely fix Items **B** to each correct chassis member using Item **F** as spacers on the top two mounting points only.
4. Using Items **E** with Items **G** fix Item **A** between Towbar side arms (Items **B**).
5. Using Items **J** with Item **G** and Item **K** with Item **G** fix Item **C** and Item **H** to Item **A**.
6. Fully tighten all fixings ensuring the Towbar is rigid, square and secure.
7. Raise the spare wheel back into its original location.

**Note: Some sports bumper will require a bumper cut and the central bumper tag removing, some MS-RT models will require the exhaust to be removed before installation then refitted.**



### Note:

1. Torque Settings see notes overleaf.
2. Nose load limits and vehicle manufacturers trailer / caravan weight limits must be observed.