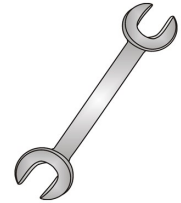




Tow-Trust Towbars

Important: Please read General Notes overleaf before fitting



Issue 1

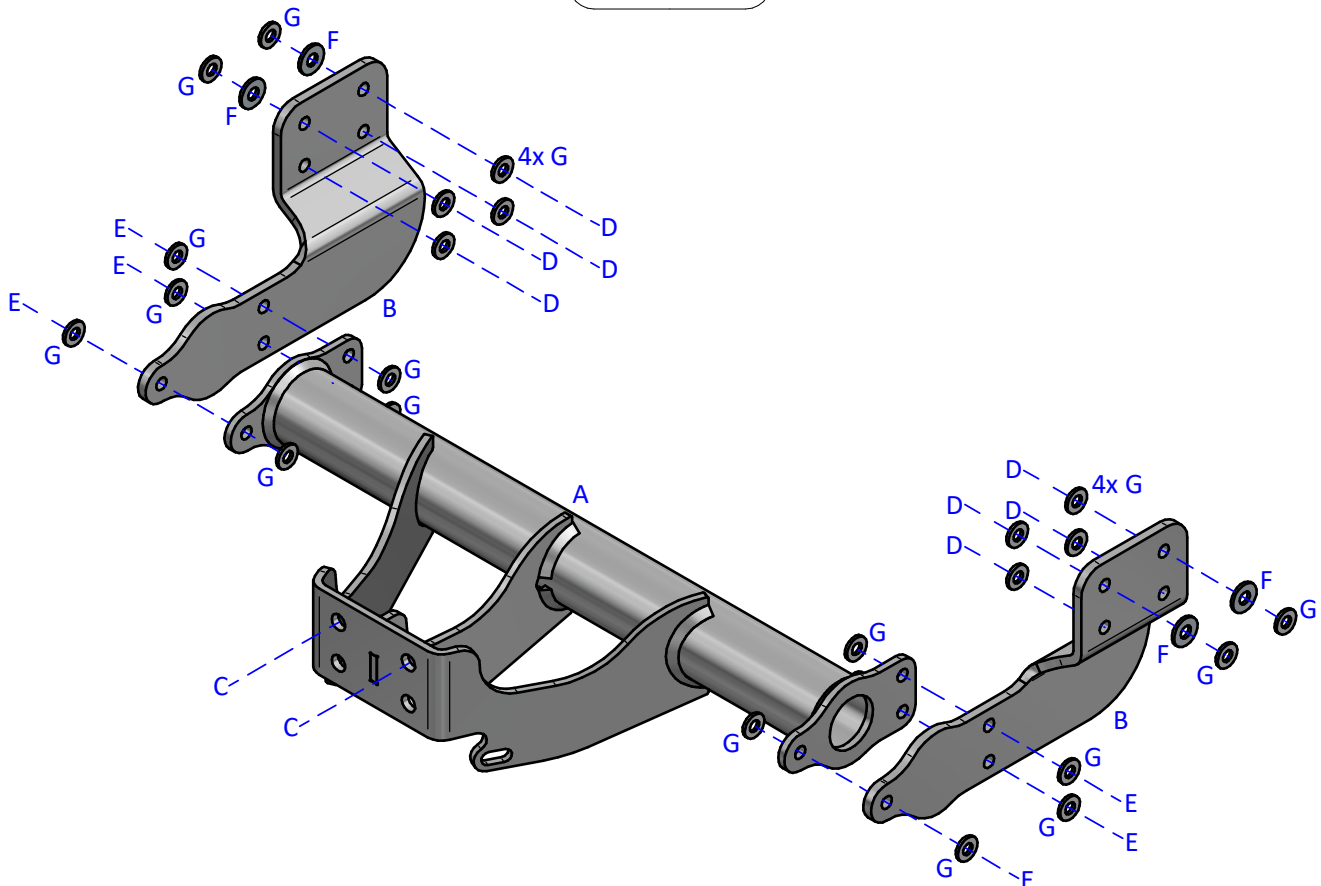
TFD20 FORD TRANSIT CUSTOM 2012>

Item	Qty	Description	Item	Qty	Description
A	1	TFD20 Crossmember	C	2	M16 x 50 Bolts & Nyloc Nuts
B	2	Handed Side Arms	D	8	M12 x 100 Grade 10.9 Bolts, 4 Nyloc Nuts & 4 S/P Washers
			E	6	M12 x 45 Grade 10.9 Bolts & Nyloc Nuts
			F	4	12 x 30 Flat Washers
			G	24	12 x 25 Flat Washers

TOWBAR INSTALLATION:

1. Lower the spare wheel to gain access to Towbar mounting points.
2. Remove the two fixings each side fixing the bumper brackets to the chassis members.
3. Using Items **D** with Items **G** loosely fix Items **B** to each correct chassis member using Item **F** as spacers on the top two mounting points only.
4. Using Items **E** with Items **G** fix Item **A** between Towbar side arms (Items **B**).
5. Using Items **C** fix your desired ball bracket and wiring plate (Not supplied in this kit) to Item **A**.
6. Fully tighten all fixings ensuring the Towbar is rigid, square and secure.
7. Raise the spare wheel back into its original location.

TFD20



** Item F are used as spacers **

Note:

1. Torque Settings see notes overleaf.
2. Nose load limits and vehicle manufacturers trailer / caravan weight limits must be observed.