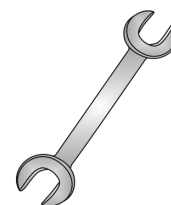




Tow-Trust Towbars

Important: Please read General Notes overleaf before fitting



Issue 2

TFD19VK FORD KUGA (DFK) 2020>

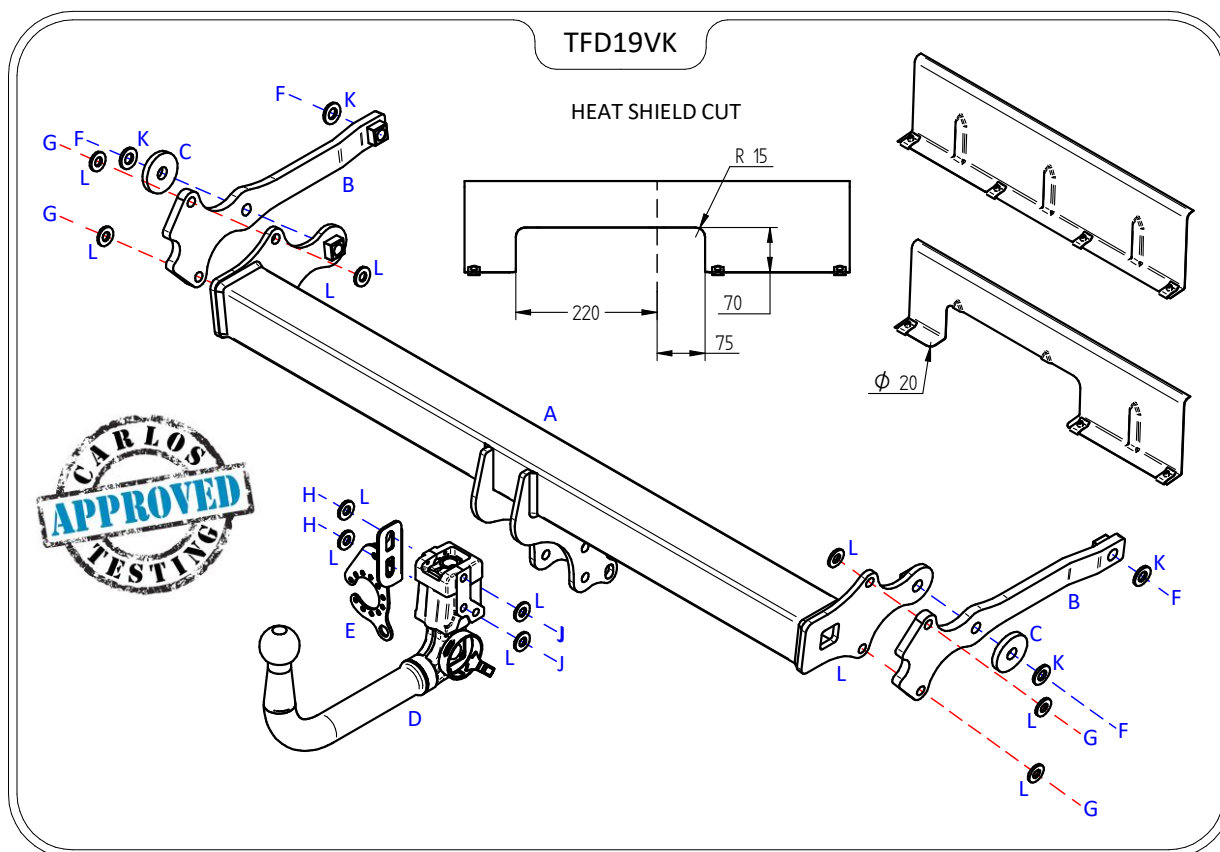
Item	Qty	Description	Item	Qty	Description
A	1	TFD19 Crossmember	E	1	Flip Up Socket Plate (TTFP/LH)
B	2	Side Arms	F	4	M14 x 50 Bolts & S/P Washers
C	2	8mm Spacer Plates	G	4	M12 x 45 Bolts & Nyloc Nuts
D	1	6210 Detachable Neck	H	2	M12 x 25 Bolts & S/P Washers
			J	2	M12 x 22 Bolts & S/P Washers
			K	4	14 x 27 Flat Washers
			L	12	12 x 25 Flat Washers

BUMPER REMOVAL:

1. Remove five fixings from around each wheel arch liner and peel back liner, remove one fixing retaining wheel arch trim and carefully unclip from vehicle body, remove one fixing retaining bumper tip to body, remove ten fixings from along the bumper lower edge.
2. Starting at the bumper tips carefully unclip the bumper from the vehicle body, using a trim tool release the top edge of the bumper from under each light cluster. Pull bumper rearwards to finally dismount from vehicle. Remove upper bumper support from the vehicle (this will be refitted after the Towbar assembly).
3. **AdBlue Models:** Remove the guard from tank (two fixings), Unplug loom from tank, Support tank and remove three fixings and carefully lower just enough to gain access to Towbar mounting points.

TOWBAR INSTALLATION:

1. Cut the exhaust heat shield as shown below. (we advise you ensure the cut is bur free and there are no sharp edges around areas the user may come in contact with e.g. around break away cable points) (Some models may require a 70mm wide x 5mm deep non visible bumper cut)
2. Insert Items **B** into each chassis member and loosely secure with Items **F** and Item **K** using Item **C** as a spacer inside the chassis at the rearmost mounting point (leave the bolt flush with the inner face of the side arm at the rearmost mounting point so Item **A** can be easily inserted between each face)
3. Insert Item **A** between each side arm and fix through the rearmost chassis mounting point with Item **F** and Item **K**.
4. Fix Items **B** to Item **A** with Items **G** and Items **L**.
5. Fix Item **D** and Item **E** to Item **A** using Item **H** with Item **L** and Items **J** with Items **L**.
6. Fully tighten all fixings ensuring the Towbar is rigid, square and secure.
7. Refit the AdBlue Tank and guard (if fitted), rear inner bumper support and rear bumper.



Note:

1. Torque Settings see notes overleaf.
2. Nose load limits and vehicle manufacturers trailer / caravan weight limits must be observed.