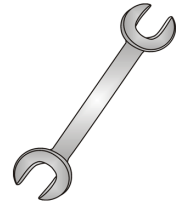




Tow-Trust Towbars

Important: Please read General Notes overleaf before fitting



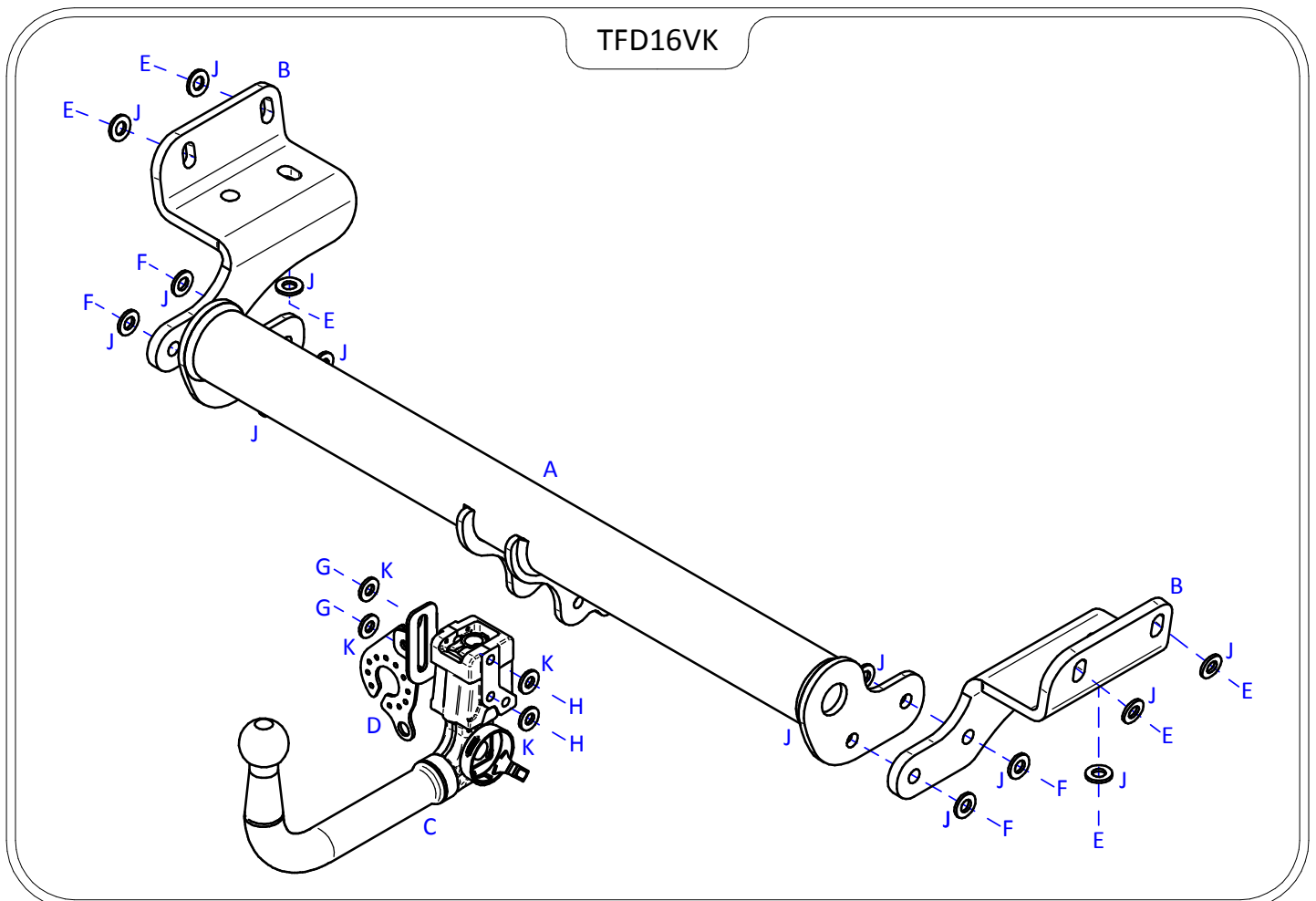
Issue 1

TFD16VK FORD EDGE 2016>

Item	Qty	Description	Item	Qty	Description
A	1	TFD16 Crossmember	D	1	Flip Up Socket Plate (TTFP/LH)
B	2	Handed Side Arms	E	6	M14 x 40 Bolts & S/P Washers
C	1	6210 Detachable Neck	F	4	M14 x 45 Bolts & Nyloc Nuts
			G	2	M12 x 25 Bolts & S/P Washers
			H	2	M12 x 22 Bolts & S/P Washers
			J	14	14 x 27 Flat Washers
			K	4	12 x 25 Flat Washers

TOWBAR INSTALLATION:

1. Remove the central and side under trays from the rear of the vehicle.
2. Remove four fixings from each chassis member securing the rear impact beam (Two vertical and two on the outside face) (Hand fixings back to the customer).
3. Using Items E with Items J fix items B to each chassis member.
4. Carefully insert Item A into the rear bumper and fix to Items B using Items F with items J.
5. Using Items G with Items K and Item H with Item K fix Item C and Item D to Item A.
6. Fully tighten all fixings ensuring the Towbar is rigid, square and secure.
7. Trim the central under tray were it meets Items B and refit to the vehicle.
8. Refit the side under trays.



Note:

1. Recommended Torque Setting for M12 Grade 10.9 -139 Nm. (For other Torque Settings see notes overleaf.)
2. Nose load limits and vehicle manufacturers trailer / caravan weight limits must be observed.