



Tow-Trust Towbars

Important: Please read General Notes overleaf before fitting



Issue 2

TFD11 FORD MONDEO 2015>

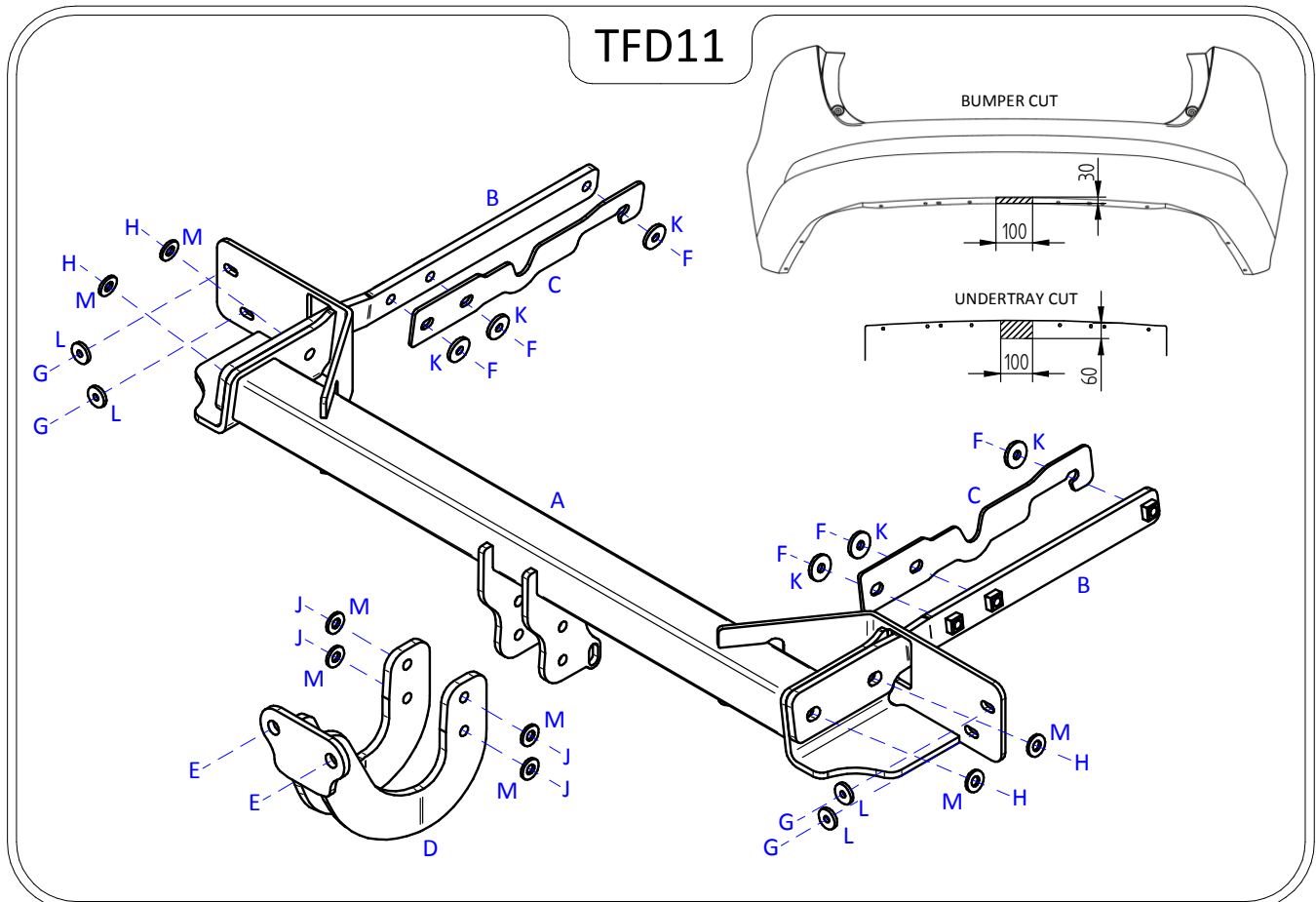
Item	Qty	Description	Item	Qty	Description
A	1	Crossmember	E	2	M16 x 50 Bolts, Nuts & S/P Washers
B	2	Handed Side Arms	F	6	M10 x 40 Bolts (Grade 10.9) & S/P Washers
C	2	Chassis Clamp Plates	G	4	M8 x 40 Bolts (Grade 10.9) & S/P Washers
D	1	Extension	H	4	M12 x 40 Bolts, 2 Nyloc Nuts & 2 S/P Washers
			J	4	M12 x 40 Bolts & Nyloc Nuts
			K	6	10 x 30 Flat Washers
			L	4	8 x 25 Flat Washers
			M	8	12 x 25 Flat Washers

BUMPER REMOVAL:

1. Remove the rear light clusters, two fixings either side.
2. Remove bumper, fixings found along the lower edge and around each wheel arch, one tip fixing either side behind wheel arch liner, one fixing either side around boot shut area, one fixing either side behind light cluster.

TOWBAR INSTALLATION:

1. Remove the bumper impact beam, (this is not refitted with the Towbar installation. Always seal up the inner two fixings in the rear panel to prevent water ingress).
2. Using Item G with Item L fix Item A to the rear panel.
3. Feed Items B through the openings either end of Item A and fix to the inside face of each chassis member using Items F, Items K and Items C.
4. Using Items H with Items M fix Items B to either end of Item A.
5. Using Items J with Items M fix Item D to Item A.
6. Using Item E bolt your desired ball bracket and wiring plate (not supplied in this kit) to Item D.
7. Fully tighten all fixings ensuring Towbar is rigid, square and secure.
8. Cut the rear bumper and undertray as shown below and refit to the vehicle.



Note:

1. Recommended Torque Setting for M12 Grade 10.9 -139 Nm. (For other Torque Settings see notes overleaf.)
2. Nose load limits and vehicle manufacturers trailer / caravan weight limits must be observed.