



Tow-Trust Towbars

Important: Please read General Notes overleaf before fitting



Issue 2

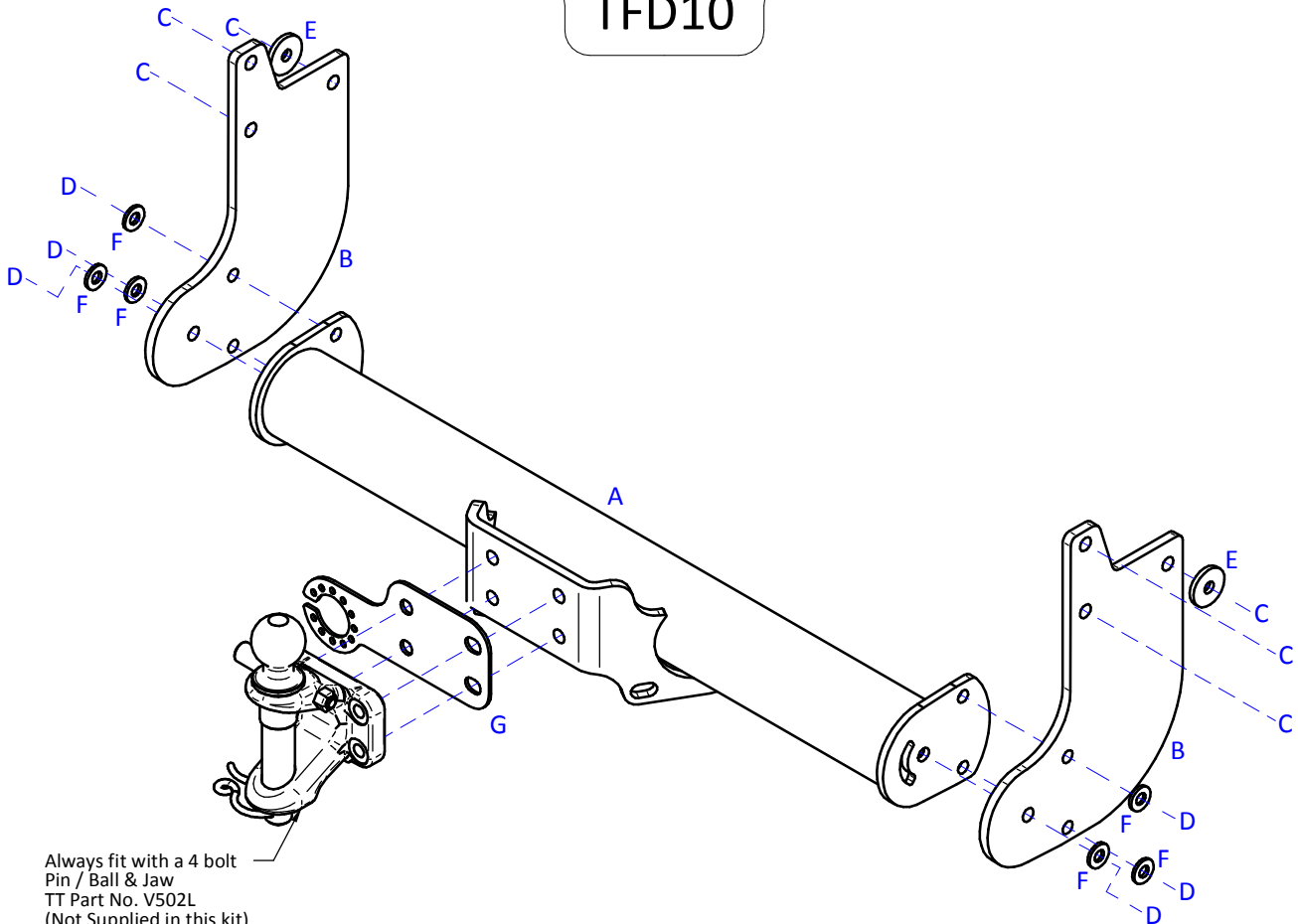
TFD10 FORD TRANSIT 4.7 tonne GVW

Item	Qty	Description	Item	Qty	Description
A	1	Crossmember	C	6	M12 x 100 Bolts (Grade 10.9) & Nyloc nuts
B	2	Side Arms	D	6	M12 x 40 Bolts (Grade 10.9), Nyloc Nuts & 2 S/P Washers
			E	2	12 x 40 Flat Washers
			F	6	12 x 25 Flat Washers
			G	1	TFD10-4 Socket Plate

TOWBAR INSTALLATION:

1. Remove the rear light board. Unplug each light cluster and remove four Fixings either side.
2. Remove three fixings either side securing the rear light board brackets and strengthening tubes.
3. Using Item C and the original chassis strengthening tubes fix Items B to the inside face of each chassis member. Ensure Item E is used on the forward most mounting point on the outside face of each chassis along with the original light board bracket on the rear most mounting points.
4. Using Item D with Item F fix the crossmember between each side arm.
5. Fully tighten all fixings ensuring Towbar is rigid square and secure.
6. Refit the rear light board.

TFD10



Note:

1. Recommended Torque Setting for M12 Grade 10.9 -130 Nm. (For other Torque Settings see notes overleaf.)
2. Nose load limits and vehicle manufacturers trailer / caravan weight limits must be observed.