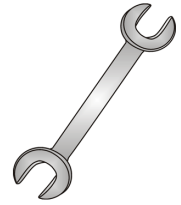




# Tow-Trust Towbars

Important: Please read General Notes overleaf before fitting

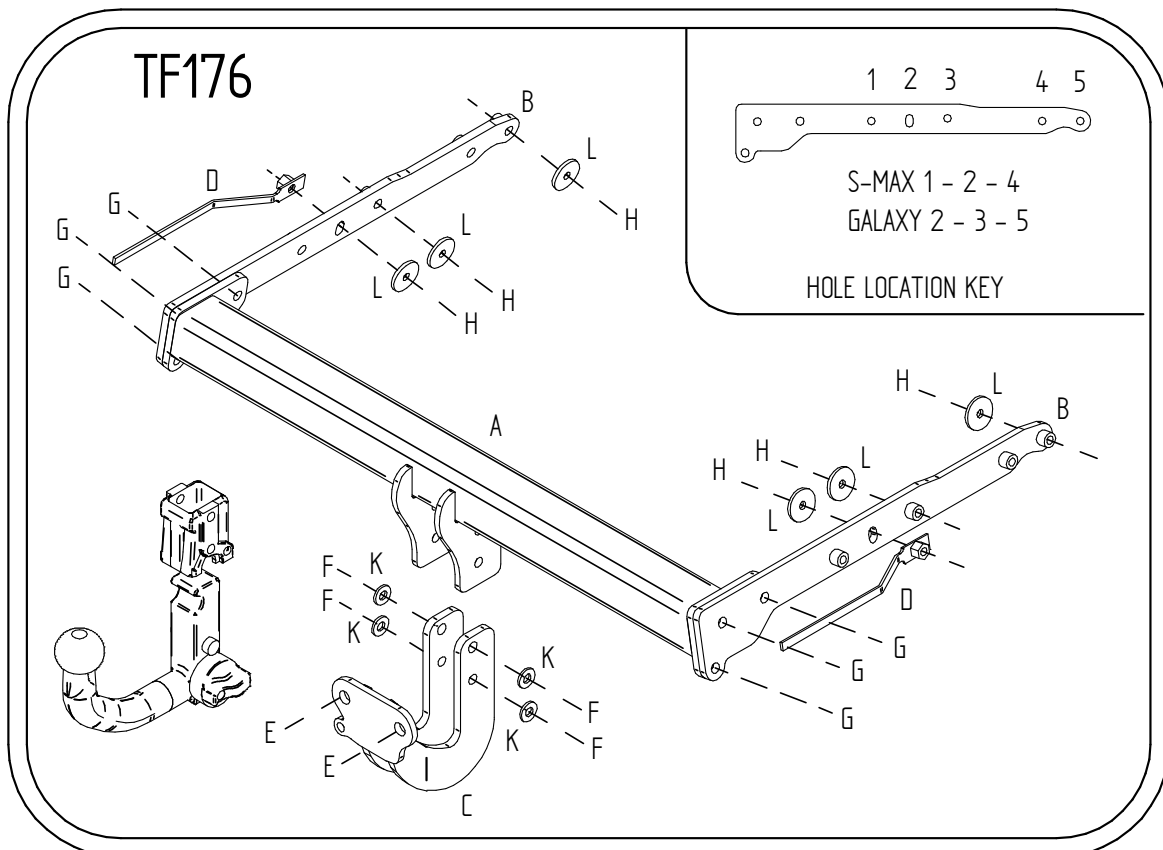


Issue 13

## TF176 FORD Galaxy 2006 > S-Max 2006 >

Item	Qty	Description	Item	Qty	Description
A	1	Crossmember	E	2	M16 x 40 Bolts, Nuts & S/P Washers
B	2	Handed Side Arms	F	4	M12 x 40 Bolts & Nyloc Nuts
C	1	Extension Bar	G	6	M12 x 40 Bolts, 4 Nuts & 6 S/P Washers
D	2	Nuts on Straps	H	6	M10 x 40 Grade 10.9 Bolts, & S/P Washers
D1	3	50mm Foam Pads	K	4	12 x 25 Flat Washers
			L	6	10 x 30 Flat Washers

1. Remove rear bumper. Two fixings on lower edge, three fixings in wheel arch, two fixings on top edge. Pull bumper tips out from body clips.
2. Remove bumper beam. (This is not refitted with the towbar).
3. Lower rearmost exhaust box.
4. Remove heat shield.
5. Locate Item B into each chassis and using Item H with Item L loosely bolt into place. Locate Item D into each chassis and loosely bolt through remaining mounting point using Item H with Item L.
6. Using Item G bolt Item A to Item B.
7. Cut a section from the lower edge of the bumper centrally, (If required trim to suit). S-MAX 85 WIDE X 170 DEEP. GALAXY 85 WIDE X 230 DEEP.
8. Using Item F with Item K bolt Item C to Item A.
9. Fully tighten all nuts and bolts and ensure the Towbar is rigid, square and secure.
10. Stick Items D1 to the Top face of Item A
11. Refit heat shield, exhaust and bumper.
12. Using Item E bolt the ball bracket and wiring plate (not supplied in this kit) to the mounting plate and fully tighten.



### Note:

1. Recommended Torque Setting for M10 Grade 10.9 -78 Nm M12 Grade 10.9 -139 Nm.
2. Nose load limits and vehicle manufacturers' trailer / caravan weight limits must be observed.